

---

**TABLE OF CONTENTS**

---

Specifications .....	14-2
Quick Spec Guide .....	14-6
Single Swing & French Door Handing and Stationary Callouts .....	14-10
Elevations/Sizes: 1/4" Scale .....	14-12
Single Swing In-Swing and Out-Swing .....	14-14
4-Panel Single Swing In-Swing and Out-Swing .....	14-17
Single Swing Commercial Width In-Swing and Out-Swing .....	14-19
Single Swing Commercial Width with Handicap Sill .....	14-20
French In-Swing and Out-Swing .....	14-21
Single Swing In-Swing and Out-Swing Sector Top .....	14-25
Single Swing Commercial Width Sector Top .....	14-28
French In-Swing and Out-Swing Sector Top .....	14-29
French Commercial Width Sector Top .....	14-30
9-0 & 10-0 Tall Swing Doors .....	14-31
Swing Door Transom Alignment Guide .....	14-37
Swing Door Transoms .....	14-38
Panel Glazing Options: 3" Scale .....	14-42
Trim Options .....	14-43
Lite Cut Information .....	14-45
Unit Sizing, Rough Opening, and Masonry Openings .....	14-47
Section Details: 6" Scale .....	14-49
Section Details: 3" Scale .....	14-68

**PRODUCT SPECIFICATIONS: SWINGING PATIO DOORS****EXTERIOR FINISH**

All exterior surfaces are covered with a factory-applied latex primer.

**AURALAST® WOOD**

AuraLast® wood is fundamentally different from wood resulting from traditional millwork preservation processes in that it uses a proprietary vacuum/pressure process to provide protection throughout the wood parts used to make windows and doors. AuraLast® wood is distinguished from wood using the current preservation methods by its unique ability to achieve greater penetration of the active ingredients into the wood parts, with a penetration of the treatment being a minimum of 92%.

**INTERIOR FINISH**

All interior surfaces are unfinished clear pine ready for on site finishing. Primed and pre-finished interiors are available in paint: Pure White, Extra White, Natural Choice, Moderate White; in stain: Wheat, Cherry, Fruitwood, Cordovan, Cider and Clear Lacquer.

**FRAME**

Frame is assembled from select kiln dried pine using AuraLast® wood on all exterior parts. Corner joints are sealed with silicone and secured with metal fasteners. Frames are finger jointed with an option for clear on most sizes. Frame thickness is 1-7/32" (31 mm) at head and side jamb and 11/16" (17.5mm) at sill. Basic jamb width is 4-9/16" (116mm) and may be extended for different wall depths. Sill is constructed of a dark bronze one-piece pulltruded fiberglass and a bronze anodized aluminum track. An integral wrapped foam sill weather-strip provides continuous seal against water and air infiltration.

**PANEL**

Panel is 1-23/32" (43.7mm) thick select kiln-dried pine using AuraLast® wood and engineered wood substrate which is water repellent preservative treated. Selected panel members have Timberstrand core for added strength and dimensional stability. Wood stiles and top rail are 4-9/16" (116mm) in face width and bottom rail is 5-5/16" (135mm) in face width on 6'8" height and 8-5/16" (211mm) on 6'11" and 8'0" heights. Panels are machine clamped to insure accurate squaring of the panel and joined with coped corners secured with multiple hardwood dowel pins.

**GLAZING**

3/4" (19mm) thick sealed insulating glass is constructed from two panes of tempered glass, utilizing a continuous roll formed stainless steel spacer with dual seal sealant. A computer-controlled application of clear silicone is used to bed the exterior of the insulating glass into the panel. An acrylic sealant is used to bed the interior. All insulating glass units comply with the performance requirements of IGCC in accordance with either ASTM E774 or E2190.

**GLAZING OPTIONS**

3/4" insulating glass available in Low-E with Argon, Low-E, Low-E 366, Clear, Neat Glass, reflective, tinted, or obscure, tempered or other specialty glass as specified. Preserve® film is a 0.003" thick polyethylene film with a low tack acrylic adhesive applied to the glass for protection during shipping and installation. 4,000 foot elevations and higher require a capillary tube to equalize environmental stress (otherwise known as High Altitude glazing). High Altitude glazing does not allow the use of Argon as listed under glazing options.

**WEATHER-STRIPPING**

Bronze colored wrapped resilient foam weather-strip is applied to the head and side jamb of door frame and to the center mull post. A multi-flanged door sweep is applied to the bottom of both active and stationary door panels. On Out-Swing doors, weather-strip is applied to the full perimeter of the frame, but sweep system is replaced by oak extension piece on the door panel which contacts resilient foam weather-strip on face of sill threshold.

**HARDWARE**

Single point system with solid brass handle set activates mortise lock. Integral dead bolt provides additional security. Multi-point system also available (standard on Segment Head, 8'0", 9'0" and 10'0" heights). Multi-point operates in similar fashion to single point but has two additional locking points activated by lifting up on handle after door is closed. Door handle sets may be specified Bright Brass or Antique Brass with heavy gauge mill finish strike plates. Optional handle sets come in Polished Chrome, Brushed Chrome, or Powder Coat White with stainless steel strike plates. Optional handle set in Oil Rubbed Bronze is also available with Oil Rubbed Bronze strike plates. Throwaway construction handle is provided with each handle set. Keyway is Schlage "C".

**EXTERIOR INSECT SCREENS (IN-SWING DOORS ONLY)**

Charcoal fiberglass screen cloth (18x16 mesh) with .040" (1mm) extruded aluminum frame. Standard sliding screen available for two and three panel doors (not available on doors with ADA sill). Door screen rides on a set of two adjustable steel rollers on outside track. Screen locking latch is factory-applied. An outward swing screen is available for single panel doors and is hinged the same as the door panel. Insect screens are intended to allow air and light in and to keep insects out. They are not intended to keep anyone or anything from falling through an open door. For safety screens or other security devices contact your local building supply retailer.

**GRILLES**

**SDL** (Simulated Divided Lites) - wood muntins permanently applied to the exterior of the insulating glass unit (not available on textured glass) in 7/8" (22mm), 1-1/8" (28.5mm), or 1-3/8" (34.9mm) widths, and a putty profile in 5/8" (15.9mm), 7/8" (22mm) and 1-1/8" (28.5mm) widths only. SDL is standard with a light bronze internal shadow bar to give a true divided lite appearance. As an option, SDL may be ordered with a silver shadow bar. Clear wood interior muntin bars match the exterior muntin width and are permanently bonded to the interior of the glass. Also available is a 2-5/16" (59mm) SDL bar, which simulates a double-hung checkrail.

**Full Surround Wood Grilles** - Rectangular unfinished clear pine wood grilles in 7/8" (22mm), 1-1/8" (28.6mm) and 1-3/8" (35mm) are available in patterns selected by the owner.

**GBG** (Grilles between the Glass) - 5/8" (15.9mm) flat and 23/32" or 1" contour mounted between the glass panes suspended within the air cavity.

*Continued on next page*

**PRODUCT SPECIFICATIONS: SWINGING PATIO DOORS****EXTERIOR TRIM**

1-3/32" (27.8mm) x 2" (50.8mm) brickmould. Flat casing is available as 1-3/32" (27.8mm) x 2" (50.8mm), 1-3/32" (27.8mm) x 3-1/2" (89mm), 1-3/32" (27.8mm) x 4-1/2" (114.3mm), and 1-3/32" (27.8mm) x 5-1/2" (139.7mm). The following profiled casings are available: Williamsburg 1-3/16" x 3-1/4". Cellular foam PVC (composite) is available in standard brickmould profile or 3-1/2" flat.

**EXTENSION JAMBS**

Extension jambs are applied to the exterior on In-Swing doors and to the interior on Out-Swing doors with 21/32" (16.7mm) thick pine to accommodate wall depths up to 9-5/16" with one piece, and up to 12" with two pieces.

**HANDING**

Swing doors may be specified as In-Swing or Out-Swing (9'0" and 10'0" doors available as In-Swing only). Operation of door panel is viewed from exterior and should be specified according to handing callouts as specified in options section.

**SILL PANS**

Molded ABS plastic sill pan system is recommended for use in all patio door installations. The JELD-WEN Premium Wood Swinging Door sill pan must be specified when ordering and is field-installed prior to patio door placement.

**INSTALLATION**

Installation per JELD-WEN Installation Method for Wood Patio Doors JII007 or JII008. See [www.jeld-wen.com/resources](http://www.jeld-wen.com/resources) for instructions.

**PERFORMANCE**

**NFRC Certified** - (Rated and labeled in accordance with NFRC)

WDMA Hallmark Certified -

In accordance with **AAMA/NWWDA/101/I.S.2-97**

**PRODUCT SPECIFICATIONS: FRENCH SWINGING PATIO DOORS****EXTERIOR FINISH**

All exterior surfaces are covered with a factory-applied latex primer.

**AURALAST® WOOD**

AuraLast® wood is fundamentally different from wood resulting from traditional millwork preservation processes in that it uses a proprietary vacuum/pressure process to provide protection throughout the wood parts used to make windows and doors. AuraLast® wood is distinguished from wood using the current preservation methods by its unique ability to achieve greater penetration of the active ingredients into the wood parts, with a penetration of the treatment being a minimum of 92%.

**INTERIOR FINISH**

All interior surfaces are unfinished clear pine ready for on site finishing. Primed and pre-finished interiors are available in paint: Pure White, Extra White, Natural Choice, Moderate White; in stain: Wheat, Cherry, Fruitwood, Cordovan, Cider and Clear Lacquer.

**FRAME**

Frame is assembled from select kiln dried pine using AuraLast® wood on all exterior parts. Corner joints are sealed with silicone and secured with metal fasteners. Frames are finger jointed with an option for clear on most sizes. Frame thickness is 1-1/4" (31.8 mm) at head and side jamb and 11/16" (17.5mm) at sill. Basic jamb width is 4-9/16" (116mm) and may be extended for different wall depths. Sill is constructed of a dark bronze one-piece pultruded fiberglass and oak threshold. Optional pultruded fiberglass adjustable threshold is available on operating In-Swing doors.

**PANEL**

Panel is 1-23/32" (43.7mm) thick select kiln-dried pine using AuraLast® wood and engineered wood substrate which is water repellent preservative treated. Selected panel members have Timberstrand core for added strength and dimensional stability. Wood stiles and top rail are 4-9/16" (116mm) in face width and bottom rail is 5-5/16" (135mm) in face width on 6'8" height and 8-5/16" (211mm) on 6'11" and 8'0" heights. Panels are machine clamped to insure accurate squaring of the panel and joined with coped corners secured with multiple hardwood dowel pins. Quad doors have two stationary and two operating panels with a center astragal applied to the secondary active panel. The primary active panel is the left center panel on quad doors (viewed from the building exterior) unless otherwise specified.

**GLAZING**

3/4" (19mm) thick sealed insulating glass is constructed from two panes of tempered glass, utilizing a continuous roll formed stainless steel spacer with dual seal sealant. A computer-controlled application of clear silicone is used to bed the exterior of the insulating glass into the panel. An acrylic sealant is used to bed the interior. All insulating glass units comply with the performance requirements of IGCC in accordance with either ASTM E774 or E2190.

**GLAZING OPTIONS**

3/4" insulating glass available in Low-E with Argon, Low-E, Low-E 366, Clear, Neat Glass, reflective, tinted, or obscure, tempered or other specialty glass as specified. Preserve® film is a 0.003" thick polyethylene film with a low tack acrylic adhesive applied to the glass for protection during shipping and installation. 4,000 foot elevations and higher require a capillary tube to equalize environmental stress (otherwise known as High Altitude glazing). High Altitude glazing does not allow the use of Argon as listed under glazing options.

**WEATHER-STRIPPING**

Bronze colored wrapped resilient foam weather-strip is applied to the head and side jamb of door frame and to the center mull post. A multi-flanged door sweep is applied to the bottom of both active and stationary door panels. On Out-Swing doors, weather-strip is applied to the full perimeter of the frame, but sweep system is replaced by oak extension piece on the door panel which contacts resilient foam weather-strip on face of sill threshold.

**HARDWARE**

Single point system with solid brass handle set activates mortise lock. Integral dead bolt provides additional security. Multi-point system also available (standard on Segment Head, 8'0", 9'0" and 10'0" heights). Multi-point operates in similar fashion to single point but has two additional locking points activated by lifting up on handle after door is closed. Door handle sets may be specified Bright Brass or Antique Brass with heavy gauge mill finish strike plates. Optional handle sets come in Polished Chrome, Brushed Chrome, or Powder Coat White with stainless steel strike plates. Optional handle set in Oil Rubbed Bronze is also available with Oil Rubbed Bronze strike plates. Throwaway construction handle is provided with each handle set. Keyway is Schlage "C".

**EXTERIOR INSECT SCREENS  
(IN-SWING DOORS ONLY)**

Charcoal fiberglass screen cloth (18x16 mesh) with .040" extruded aluminum frame. Screen locking latch is factory applied. An outward swing screen is available for single panel doors and is hinged the same as the door panel. Insect screens are intended to allow air and light in and to keep insects out. They are not intended to keep anyone or anything from falling through an open door. For safety screens or other security devices contact your local building supply retailer.

**GRILLES**

**SDL** (Simulated Divided Lites) - wood muntins permanently applied to the exterior of the insulating glass unit (not available on textured glass) in 7/8" (22mm), 1-1/8" (28.5mm), or 1-3/8" (34.9mm) widths, and a putty profile in 5/8" (15.9mm), 7/8" (22mm) and 1-1/8" (28.5mm) widths only. SDL is standard with a light bronze internal shadow bar to give a true divided lite appearance. As an option, SDL may be ordered with a silver shadow bar. Clear wood interior muntin bars match the exterior muntin width and are permanently bonded to the interior of the glass. Also available is a 2-5/16" (59mm) SDL bar, which simulates a double-hung checkrail.

**Full Surround Wood Grilles** - Rectangular unfinished clear pine wood grilles in 7/8" (22mm), 1-1/8" (28.6mm) and 1-3/8" (35mm) are available in patterns selected by the owner.

**GBG** (Grilles between the Glass) - 5/8" (15.9mm) flat and 23/32" or 1" contour mounted between the glass panes suspended within the air cavity.

*Continued on next page*

**PRODUCT SPECIFICATIONS: FRENCH SWINGING PATIO DOORS****EXTERIOR TRIM**

1-3/32" (27.8mm) x 2" (50.8mm) brickmould. Flat casing is available as 1-3/32" (27.8mm) x 2" (50.8mm), 1-3/32" (27.8mm) x 3-1/2" (89mm), 1-3/32" (27.8mm) x 4-1/2" (114.3mm), and 1-3/32" (27.8mm) x 5-1/2" (139.7mm). The following profiled casings are available: 3-1/2" (89mm) and Williamsburg 1-3/16" x 3-1/4". Cellular foam PVC (composite) is available in standard brickmould profile or 3-1/2" flat.

**EXTENSION JAMBS**

Extension jambs are applied to the exterior on In-Swing doors and to the interior on Out-Swing doors with 21/32" (16.7mm) thick pine to accommodate wall depths up to 9-5/16" with one piece, and up to 12" with two pieces.

**HANDING**

Swing doors may be specified as In-Swing or Out-Swing (9'0" and 10'0" doors available as In-Swing only). Operation of door panel is viewed from exterior and should be specified according to handing callouts as specified in options section.

**SILL PANS**

Molded ABS plastic sill pan system is recommended for use in all patio door installations. The JELD-WEN Premium Wood Swinging Door sill pan must be specified when ordering and is field-installed prior to patio door placement.

**INSTALLATION**

Installation per JELD-WEN Installation Method for Wood Patio Doors JII007 or JII008. See [www.jeld-wen.com/resources](http://www.jeld-wen.com/resources) for instructions.

**PERFORMANCE**

**NFRC Certified** - (Rated and labeled in accordance with NFRC)

WDMA Hallmark Certified -

In accordance with **AAMA/NWDA/101/I.S.2-97**

**QUICK SPEC GUIDE: SWINGING PATIO DOORS**

SPECIFICATION	STANDARD FEATURES	OPTIONAL FEATURES <i>Some options may require additional lead times. Consult your JELD-WEN Sales Representative.</i>
<b>FRAME</b>	<ul style="list-style-type: none"> <li>Fingerjoint Wood</li> </ul>	<ul style="list-style-type: none"> <li>Clear available on most sizes</li> </ul>
<b>EXTERIOR FINISH</b>	<ul style="list-style-type: none"> <li>Primed</li> </ul>	<ul style="list-style-type: none"> <li>Natural</li> </ul>
<b>EXTERIOR TRIM</b>	<ul style="list-style-type: none"> <li>1-3/32" Brickmould</li> <li>Vinyl Drip Cap</li> </ul>	<ul style="list-style-type: none"> <li>Flat Casing: 1-3/32" x 2", 3-1/2", 4-1/2", and 5-1/2"</li> <li>Williamsburg Casing: 1-3/16" x 3-1/4"</li> <li>No Brickmould Option</li> </ul>
<b>INTERIOR FINISH</b>	<ul style="list-style-type: none"> <li>Natural</li> </ul>	<ul style="list-style-type: none"> <li>Priming Available</li> </ul> <p>Pre-finished Interior Options are:</p> <ul style="list-style-type: none"> <li>Paint - Pure White, Extra White, Natural Choice, Moderate White</li> <li>Stain - Wheat, Fruitwood, Cherry, Cordovan, Cider</li> <li>Clear Lacquer</li> </ul>
<b>SIZE</b>	<ul style="list-style-type: none"> <li>Width: <ul style="list-style-type: none"> <li>One Panel - 2-6, 2-9, 3-0, 3' 2-9/16, 3-6</li> <li>Two Panel - 5-0, 5-6, 6-0, 6' 5-1/8, 7-0</li> <li>Three Panel - 7-6, 8-3, 9-0, 9' 7-11/16, 10-6</li> <li>Four Panel - 8-0, 10-0, 11-0, 12-0</li> </ul> </li> <li>Sidelight Width - 1-0, 1-6, 2-0</li> <li>Height: <ul style="list-style-type: none"> <li>6-8, 6-11, 7-3, 8-0, 9-0, 10-0</li> </ul> </li> <li>Sidelight Height: <ul style="list-style-type: none"> <li>6-8, 6-11, 7-3, 8-0</li> </ul> </li> </ul>	<ul style="list-style-type: none"> <li>Minimum Width: 2-0      Maximum Width: 3-6</li> <li>Minimum Width: 4-0      Maximum Width: 7-0</li> <li>Maximum Multi Panel Frame Width: 12-0</li> <li>Minimum Sidelight Frame Width: 1-0</li> <li>Minimum Height: 2-0      Maximum Height: 10-0</li> <li>Maximum Sidelight Frame Height: 8-0</li> </ul>
<b>GLAZING</b>	<ul style="list-style-type: none"> <li>Tempered Low-E Insulating Glass</li> <li>Preserve® Protective Film</li> </ul>	<ul style="list-style-type: none"> <li>Clear</li> <li>Obscure</li> <li>Bronze</li> <li>Low-E 366</li> <li>Neat Glass</li> <li>Dual Low-E</li> <li>Reflective</li> <li>Tempered</li> </ul>
		<ul style="list-style-type: none"> <li>High Altitude</li> </ul>
		<p>Additional Options for Transoms only:</p> <ul style="list-style-type: none"> <li>Decorative Glass <ul style="list-style-type: none"> <li>Craftsman</li> <li>Classic</li> <li>Contemporary</li> <li>Estate</li> </ul> </li> <li>Custom Design Capability</li> </ul>
<b>GRILLES</b>		<ul style="list-style-type: none"> <li>5/8" Flat, 23/32" or 1" Contour GBG</li> <li>7/8", 1-1/8", 1-3/8" Full Surround Wood Grilles</li> </ul> <p>SDL Bead Profile:</p> <ul style="list-style-type: none"> <li>7/8", 1-1/8", 1-3/8", 2-5/16" with Light Bronze Shadow Bar</li> <li>7/8", 1-1/8", 1-3/8", 2-5/16" with Silver Shadow Bar</li> </ul> <p>SDL Putty Profile:</p> <ul style="list-style-type: none"> <li>5/8", 7/8", 1-1/8" with Light Bronze Shadow Bar</li> <li>5/8", 7/8", 1-1/8" with Silver Shadow Bar</li> </ul>
<b>PANEL OPTIONS</b>		<ul style="list-style-type: none"> <li>Lock Rail Swing Door</li> <li>Clad Pine Bottom Panel</li> </ul>
<b>HARDWARE</b>	<ul style="list-style-type: none"> <li>Single Point (standard up to 7 2-1/2)</li> <li>Multi-point (standard on 8-0 and over)</li> <li>Multi-point (available on 6-2 and over)</li> </ul>	<ul style="list-style-type: none"> <li>Multi-point optional on 7-3 heights and smaller</li> </ul>

*Continued on next page*

**QUICK SPEC GUIDE: SWINGING PATIO DOORS**

SPECIFICATION	STANDARD FEATURES	OPTIONAL FEATURES <i>Some options may require additional lead times. Consult your JELD-WEN Sales Representative.</i>
<b>HANDLE SET</b>	<ul style="list-style-type: none"> <li>Antique Brass</li> <li>Polished Brass</li> </ul>	<ul style="list-style-type: none"> <li>Polished Chrome</li> <li>Brushed Chrome</li> <li>Powder Coat White</li> <li>Oil Rubbed Bronze</li> <li>Satin Nickel</li> </ul>
<b>HINGES</b>	<ul style="list-style-type: none"> <li>In-Swing Hinges Match Handle Color</li> <li>Out-Swing Hinges - Brushed Stainless Steel</li> </ul>	<ul style="list-style-type: none"> <li>Adjustable Hinge Available</li> </ul>
<b>SILL</b>	<ul style="list-style-type: none"> <li>Dark bronze one-piece pulltruded fiberglass and oak threshold</li> </ul>	<ul style="list-style-type: none"> <li>ADA Sill Option</li> <li>Pulltruded Fiberglass Adjustable Threshold</li> </ul>
<b>HANDING</b>	<ul style="list-style-type: none"> <li>Viewed from the outside</li> </ul>	
<b>JAMB</b>	<ul style="list-style-type: none"> <li>4-9/16"</li> </ul>	<ul style="list-style-type: none"> <li>Minimum: 4-9/16"</li> <li>Maximum In-Swing (Exterior): 9-5/16"</li> <li>Exterior: Extruded Aluminum for In-Swing Doors</li> <li>Maximum Out-Swing (Interior): 9-3/8" (one piece)</li> <li>Interior Pine for Out-Swing Doors</li> </ul>
<b>SCREENS</b>	<ul style="list-style-type: none"> <li>Fiberglass</li> <li>Extruded Aluminum Frame</li> </ul>	<ul style="list-style-type: none"> <li>Sliding screen available on In-Swing doors only</li> <li>Hinged Screen available on In-Swing doors only</li> </ul>
<b>SCREEN FRAME COLOR</b>	<ul style="list-style-type: none"> <li>Brilliant White</li> <li>Chestnut Bronze</li> <li>Desert Sand</li> <li>French Vanilla</li> <li>Mesa Red</li> <li>Hartford Green</li> <li>Black</li> <li>Arctic Silver</li> <li>Dark Chocolate</li> </ul>	<ul style="list-style-type: none"> <li>Bronze</li> <li>Heirloom White</li> <li>Bone White</li> <li>Dark Buckskin</li> <li>Smoke</li> <li>Mocha Cream</li> <li>Hunter Green</li> <li>Sage Brown</li> <li>Redwood</li> <li>Sea Foam</li> <li>Ivory</li> <li>Cascade</li> </ul>
		<ul style="list-style-type: none"> <li>Commercial Grade Kynar 500® Resin System</li> </ul>

**QUICK SPEC GUIDE: FRENCH SWINGING PATIO DOORS**

SPECIFICATION	STANDARD FEATURES	OPTIONAL FEATURES <i>Some options may require additional lead times. Consult your JELD-WEN Sales Representative.</i>
<b>FRAME</b>	<ul style="list-style-type: none"> <li>Fingerjoint Wood</li> </ul>	<ul style="list-style-type: none"> <li>Clear available on most sizes</li> </ul>
<b>EXTERIOR FINISH</b>	<ul style="list-style-type: none"> <li>Primed</li> </ul>	<ul style="list-style-type: none"> <li>Natural</li> </ul>
<b>EXTERIOR TRIM</b>	<ul style="list-style-type: none"> <li>1-3/32" Brickmould</li> <li>Vinyl Drip Cap</li> </ul>	<ul style="list-style-type: none"> <li>Flat Casing: 1-3/32" x 2", 3-1/2", 4-1/2", and 5-1/2"</li> <li>Williamsburg Casing: 1-3/16" x 3-1/4"</li> <li>No Brickmould Option</li> </ul>
<b>INTERIOR FINISH</b>	<ul style="list-style-type: none"> <li>Natural</li> </ul>	<ul style="list-style-type: none"> <li>Priming Available</li> </ul> <p>Pre-finished Interior Options are:</p> <ul style="list-style-type: none"> <li>Paint - Pure White, Extra White, Natural Choice, Moderate White</li> <li>Stain - Wheat, Fruitwood, Cherry, Cordovan, Cider</li> <li>Clear Lacquer</li> </ul>
<b>SIZE</b>	<ul style="list-style-type: none"> <li>Width: <ul style="list-style-type: none"> <li>Two Panel - 5-0, 5-6, 6-0, 6' 5-1/8, 7-0</li> <li>Three Panel - 7-6, 8-3, 9-0, 9' 7-11/16, 10-6</li> <li>Four Panel - 8-0, 10-0, 11-0, 12-0</li> </ul> </li> <li>Height: <ul style="list-style-type: none"> <li>6-8, 6-11, 7-3, 8-0, 9-0, 10-0</li> </ul> </li> <li>Sidelight Height: <ul style="list-style-type: none"> <li>6-8, 6-11, 7-3, 8-0</li> </ul> </li> </ul>	<ul style="list-style-type: none"> <li>Minimum Width: 2-0      Maximum Width: 3-6</li> <li>Minimum Width: 4-0      Maximum Width: 7-0</li> <li>Maximum Multi Panel Frame Width: 12-0</li> <li>Minimum Height: 2-0      Maximum Height: 10-0</li> <li>Maximum Sidelight Frame Height: 8-0</li> </ul>
<b>GLAZING</b>	<ul style="list-style-type: none"> <li>Tempered Low-E Insulating Glass</li> <li>Preserve® Protective Film</li> </ul>	<ul style="list-style-type: none"> <li>Clear</li> <li>Obscure</li> <li>Bronze</li> <li>Low-E 366</li> <li>Neat Glass</li> <li>Dual Low-E</li> <li>Reflective</li> <li>Tempered</li> </ul>
<b>GRILLES</b>		<ul style="list-style-type: none"> <li>5/8" Flat, 23/32" or 1" Contour GBG</li> <li>7/8", 1-1/8", 1-3/8" Full Surround Wood Grilles</li> </ul> <p>SDL Bead Profile:</p> <ul style="list-style-type: none"> <li>7/8", 1-1/8", 1-3/8", 2-5/16" with Light Bronze Shadow Bar</li> <li>7/8", 1-1/8", 1-3/8", 2-5/16" with Silver Shadow Bar</li> </ul> <p>SDL Putty Profile:</p> <ul style="list-style-type: none"> <li>5/8", 7/8", 1-1/8" with Light Bronze Shadow Bar</li> <li>5/8", 7/8", 1-1/8" with Silver Shadow Bar</li> </ul>
<b>PANEL OPTIONS</b>		<ul style="list-style-type: none"> <li>Lock Rail Swing Door</li> <li>Clad Pine Bottom Panel</li> </ul>
<b>HARDWARE</b>	<ul style="list-style-type: none"> <li>Single Point (standard up to 7 2-1/2)</li> <li>Multi-point (standard on 8-0 and over)</li> <li>Multi-point (available on 6-2 and over)</li> </ul>	<ul style="list-style-type: none"> <li>Multi-point optional on 7-3 heights and smaller</li> </ul>

*Continued on next page*



**QUICK SPEC GUIDE: FRENCH SWINGING PATIO DOORS**

SPECIFICATION	STANDARD FEATURES	OPTIONAL FEATURES <i>Some options may require additional lead times. Consult your JELD-WEN Sales Representative.</i>
<b>HANDLE SET</b>	<ul style="list-style-type: none"> <li>Antique Brass</li> <li>Polished Brass</li> </ul>	<ul style="list-style-type: none"> <li>Polished Chrome</li> <li>Brushed Chrome</li> <li>Powder Coat White</li> <li>Oil Rubbed Bronze</li> <li>Satin Nickel</li> </ul>
<b>HINGES</b>	<ul style="list-style-type: none"> <li>In-Swing Hinges Match Handle Color</li> <li>Out-Swing Hinges - Brushed Stainless Steel</li> </ul>	<ul style="list-style-type: none"> <li>Adjustable Hinge Available</li> </ul>
<b>SILL</b>	<ul style="list-style-type: none"> <li>Dark bronze one-piece pulltruded fiberglass and oak threshold</li> </ul>	<ul style="list-style-type: none"> <li>ADA Sill Option</li> <li>Pulltruded Fiberglass Adjustable Threshold</li> </ul>
<b>HANDING</b>	<ul style="list-style-type: none"> <li>Viewed from the outside</li> </ul>	
<b>JAMB</b>	<ul style="list-style-type: none"> <li>4-9/16"</li> </ul>	<ul style="list-style-type: none"> <li>Minimum: 4-9/16"</li> <li>Maximum In-Swing (Exterior): 9-1/16"</li> <li>Maximum In-Swing (Exterior): 9-3/8" (Primed)</li> <li>Exterior: Extruded Aluminum for In-Swing Doors</li> <li>Maximum Out-Swing (Interior): 9-3/8" (one piece)</li> <li>Interior Pine for Out-Swing Doors</li> </ul>
<b>SCREENS (NOT INCLUDED IN DOOR BASE PRICE)</b>	<ul style="list-style-type: none"> <li>Fiberglass</li> <li>Extruded Aluminum Frame</li> </ul>	<ul style="list-style-type: none"> <li>Hinged Screen available on In-Swing doors only</li> </ul>
<b>SCREEN FRAME COLOR</b>	<ul style="list-style-type: none"> <li>Brilliant White</li> <li>Chestnut Bronze</li> <li>Desert Sand</li> <li>French Vanilla</li> <li>Mesa Red</li> <li>Hartford Green</li> <li>Black</li> <li>Arctic Silver</li> <li>Dark Chocolate</li> </ul>	<ul style="list-style-type: none"> <li>Bronze</li> <li>Heirloom White</li> <li>Bone White</li> <li>Dark Buckskin</li> <li>Smoke</li> <li>Mocha Cream</li> <li>Hunter Green</li> <li>Sage Brown</li> <li>Redwood</li> <li>Sea Foam</li> <li>Ivory</li> <li>Cascade</li> </ul>
		<ul style="list-style-type: none"> <li>Commercial Grade Kynar 500® Resin System</li> </ul>

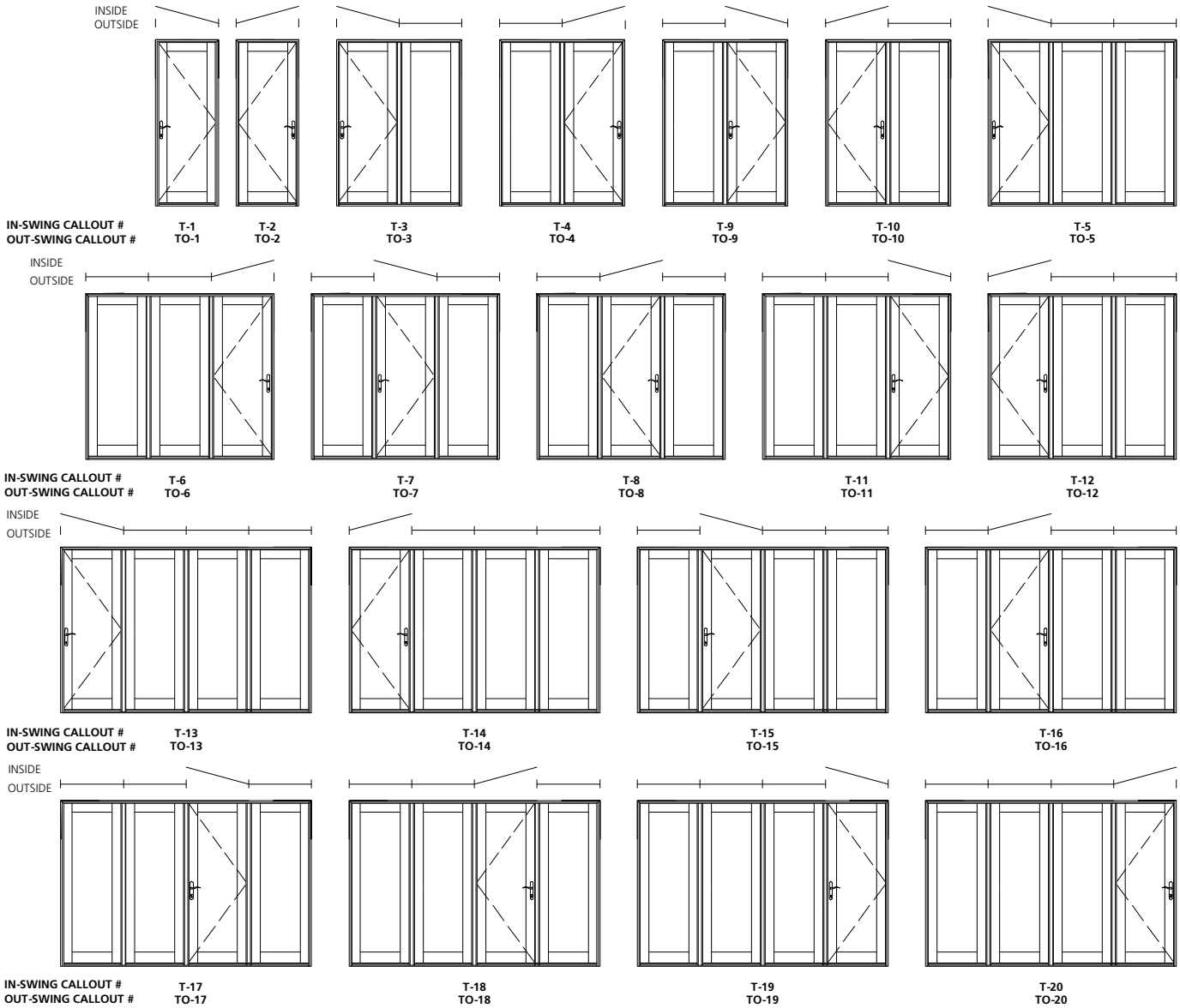
**SINGLE SWING HANDING CALLOUTS**

Doors pictured as viewed from exterior.

Top down view shows panels as In-Swing.

All extension is opposite panel swing.

**OUT-SWING OPTION:**  
Numerical callout for Out-Swing doors does not change. Add "Out-Swing" to description and use TO callout.



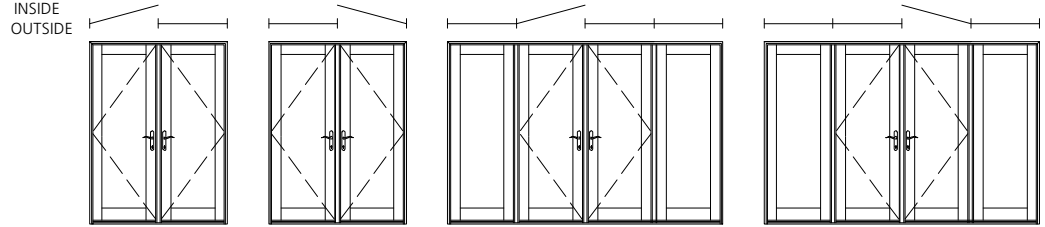
**FRENCH DOOR HANDING CALLOUTS**

**OUT-SWING OPTION:**  
Numerical callout for Out-Swing doors does not change. Add "Out-Swing" to description and use FO callout.

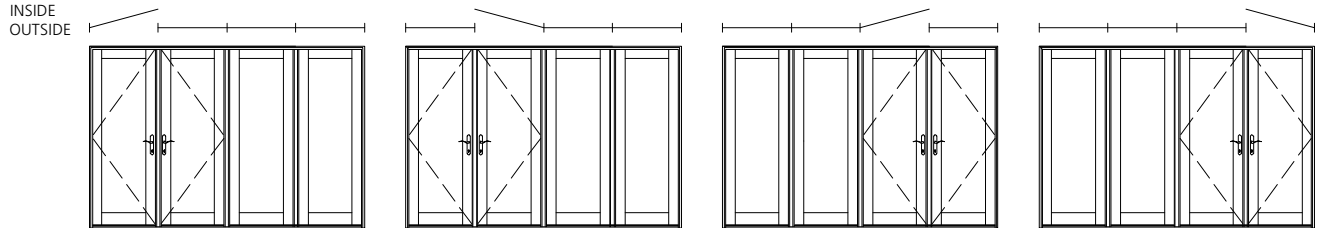
Top down view shows panels as In-Swing.

All extension is opposite panel swing.

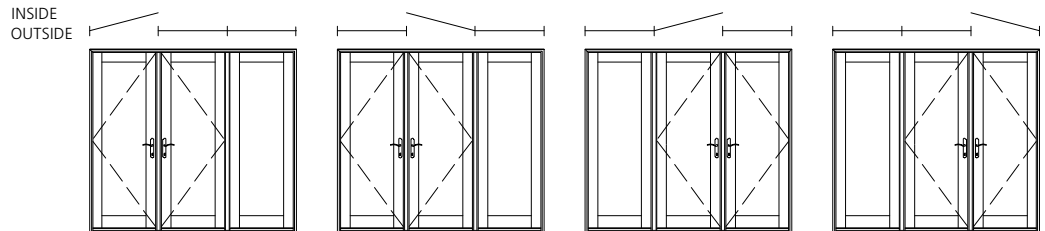
Doors pictured as viewed from exterior.



IN-SWING CALLOUT #	F-1	F-2	F-3	F-4
OUT-SWING CALLOUT #	FO-1	FO-2	FO-3	FO-4

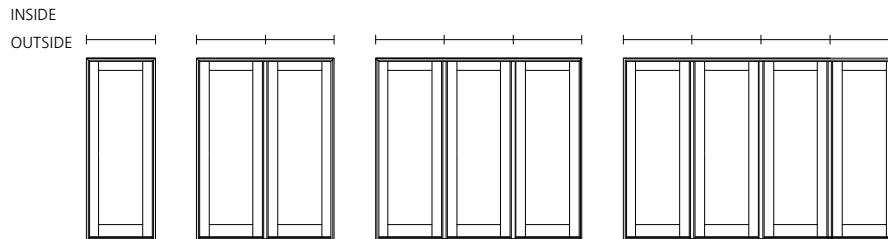


IN-SWING CALLOUT #	F-5	F-6	F-7	F-8
OUT-SWING CALLOUT #	FO-5	FO-6	FO-7	FO-8



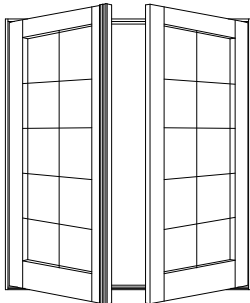
IN-SWING CALLOUT #	F-9	F-10	F-11	F-12
OUT-SWING CALLOUT #	FO-9	FO-10	FO-11	FO-12

**STATIONARY IN-SWING AND OUT-SWING PATIO DOORS**



IN-SWING CALLOUT #	S-1	SS-1	SSS-1	SSSS-1
OUT-SWING CALLOUT #	SO-1	SSO-1	SSSO-1	SSSSO-1

**GENERAL INFORMATION**



INACTIVE LEFT

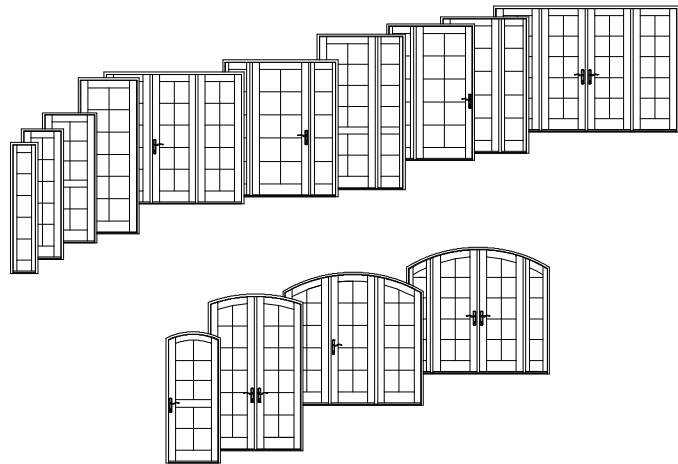
**DIMENSIONAL DOORS**

Wood In-Swing and Out-Swing patio doors may be specified as "dimensional", by adjusting the desired rough opening width or height in 1/4" increments from standard.

Wood In-Swing and Out-Swing patio doors are available in single, twin, triple and quad panel doors. Transoms are available to match the variety of door sizes.

**OPERATION**

Wood In-Swing and Out-Swing patio doors are available in a full range of operating styles. Single panel doors may be specified as stationary (non-venting) or can operate left or right. Center swing two- or three-panel doors are available with left or right operation. French doors feature two operating panels (one active, which opens first; and one inactive, which closes first), and are available in two-panel and four-panel styles. Configuration and handing is based on viewing the door from the interior.



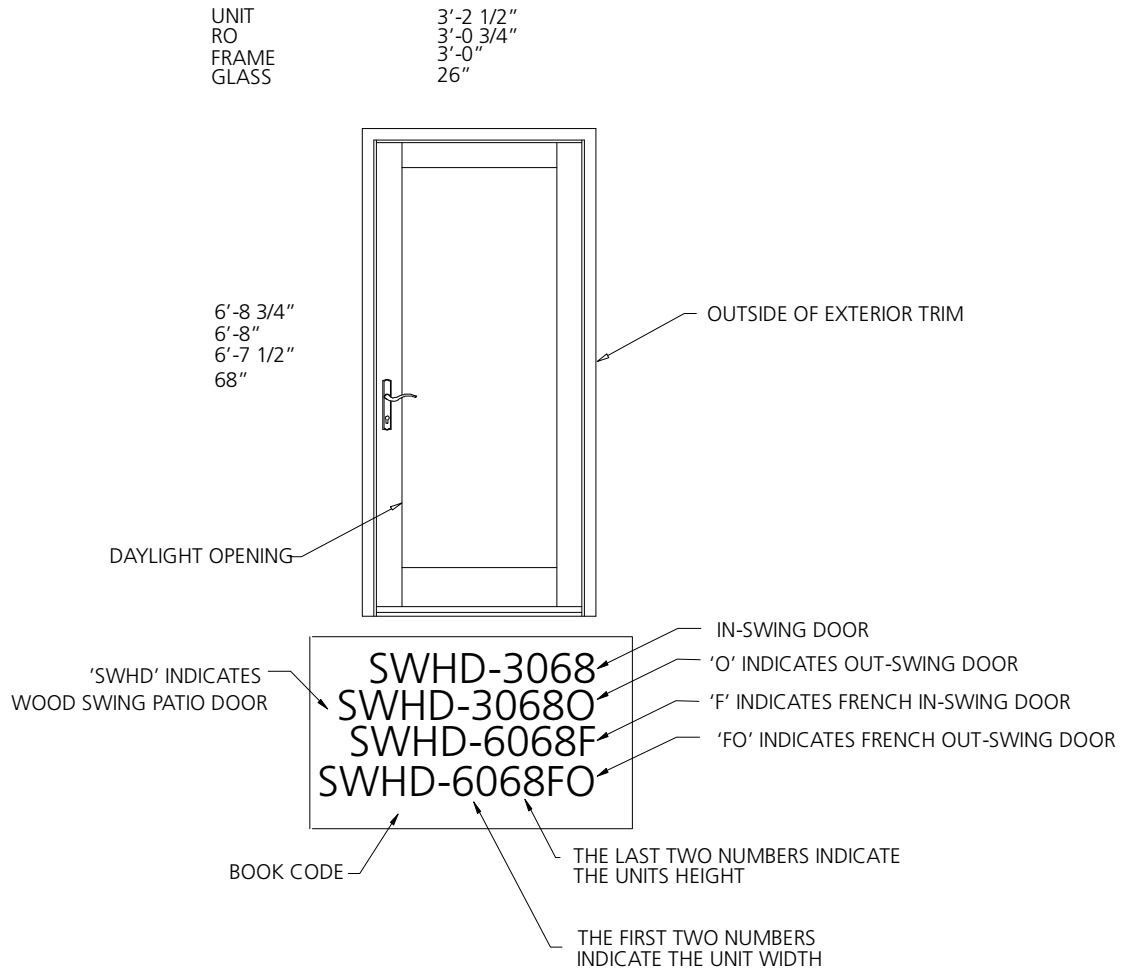
**MULTIPLE ASSEMBLIES**

Wood In-Swing and Out-Swing patio doors are available in a wide variety of multiple panel configurations from the factory, all of which are assembled with continuous sills. Wood In-Swing and Out-Swing patio doors may be mulled below, or beside other wood door and wood window products. Factory assembled mulls are limited in height (100"), width (150"), and a total area (75 square feet).



**SINGLE SWING IN-SWING AND OUT-SWING PATIO DOORS**

ELEVATION DRAWINGS UTILIZE A LIMITED NUMBER OF PROJECTED LINES TO PRODUCE A RUDIMENTARY DRAWING INTENDED TO BE USED IN A SMALL GRAPHICAL SCALE. ELEVATIONS ARE VIEWED PERPENDICULAR FROM THE EXTERIOR OF THE STRUCTURE. IF MORE DIMENSIONS ARE NEEDED, USE THE SECTION DRAWINGS FOR MORE COMPLETE DEPICTIONS.



**GENERAL SWINGING DOOR NOTES**

1. WOOD SWINGING PATIO DOOR UNITS ARE AVAILABLE AS OPERATING OR FIXED UNITS.
2. UNIT ELEVATIONS ARE SHOWN WITHOUT EXTERIOR TRIM. UNIT SIZES & MASONRY OPENING DIMENSIONS WILL CHANGE WITH THE ADDITION OF EXTERIOR TRIM. SEE THE 'UNIT SIZING, ROUGH OPENINGS & MASONRY OPENINGS' PAGE FOR EXTERIOR TRIM EFFECTS.
3. OPERATING UNITS ARE AVAILABLE AS LEFT OR RIGHT HAND OPERATION.
4. HANDICAP SILL, 10 1/4" BOTTOM RAILS, INTERMEDIATE LOCK RAILS AND RAISED PANELS ARE AVAILABLE FOR ALL UNITS.

**SINGLE SWING IN-SWING AND OUT-SWING PATIO DOORS**

**UNIT IN-SWING**  
**UNIT OUT-SWING**  
**RSO**  
**FRAME**  
**GLASS**

1'-2 1/2"  
1'-3"  
1'-0 3/4"  
1'-0"  
7"

1'-8 1/2"  
1'-9"  
1'-6 3/4"  
1'-6"  
13"

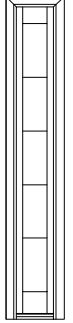
2'-2 1/2"  
2'-3"  
2'-0 3/4"  
2'-0"  
16 3/4"

2'-8 1/2"  
2'-9"  
2'-6 3/4"  
2'-6"  
20"

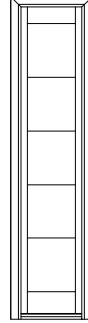
5'-2 1/2"  
5'-3"  
5'-0 3/4"  
5'-0"  
20"

7'-8 1/2"  
7'-9"  
7'-6 3/4"  
7'-6"  
20"

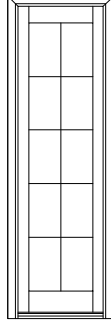
6'-8 3/4"  
6'-9"  
6'-8"  
6'-7 1/2"  
68"



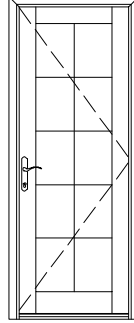
SWHD-1068  
SWHD-10680



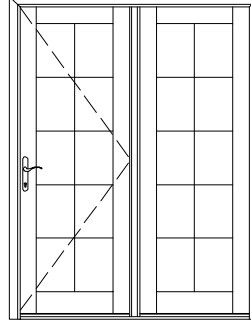
SWHD-1668  
SWHD-16680



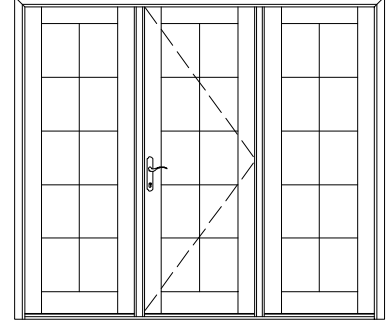
SWHD-2068  
SWHD-20680



SWHD-2668  
SWHD-26680

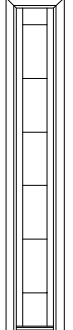


SWHD-5068  
SWHD-50680

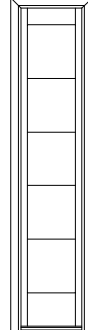


SWHD-7668  
SWHD-76680

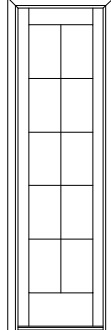
6'-11 3/4"  
7'-0"  
6'-11"  
6'-10 1/2"  
68"



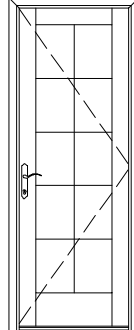
SWHD-10611  
SWHD-106110



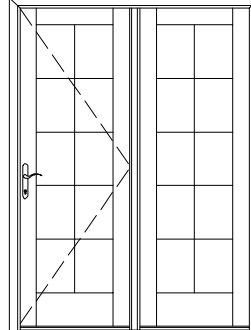
SWHD-16611  
SWHD-166110



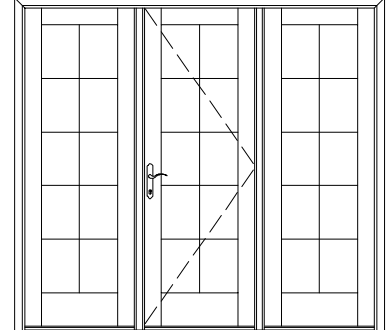
SWHD-20611  
SWHD-206110



SWHD-26611  
SWHD-266110

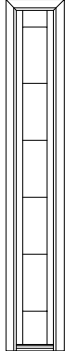


SWHD-50611  
SWHD-506110

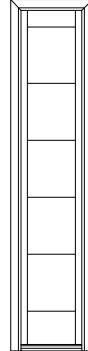


SWHD-76611  
SWHD-766110

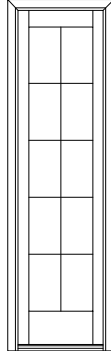
7'-3 3/4"  
7'-4"  
7'-3"  
7'-2 1/2"  
72"



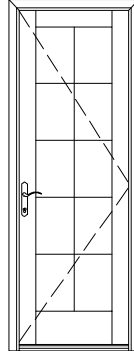
SWHD-1073  
SWHD-10730



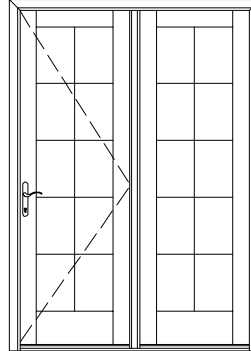
SWHD-1673  
SWHD-16730



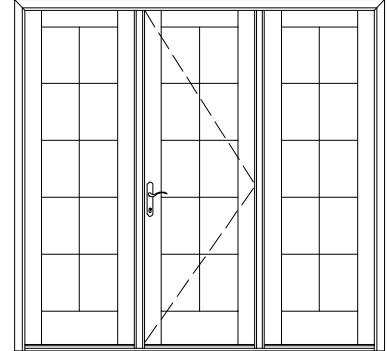
SWHD-2073  
SWHD-20730



SWHD-2673  
SWHD-26730

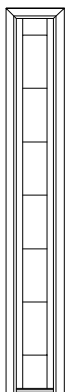


SWHD-5073  
SWHD-50730

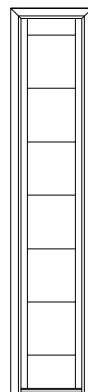


SWHD-7673  
SWHD-76730

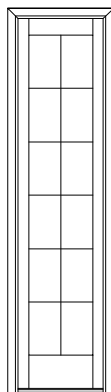
8'-0 3/4"  
8'-1"  
8'-0"  
7'-11 1/2"  
81"



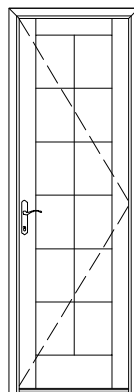
SWHD-1080  
SWHD-10800



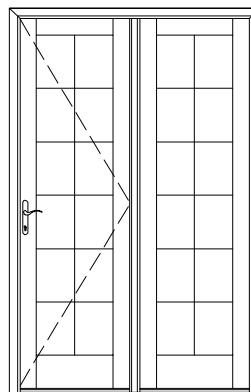
SWHD-1680  
SWHD-16800



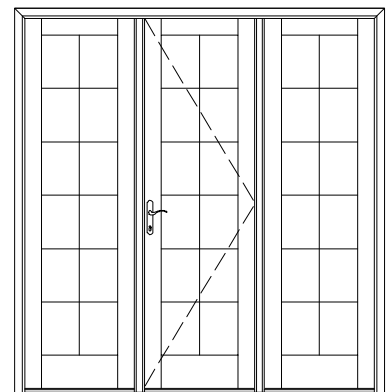
SWHD-2080  
SWHD-20800



SWHD-2680  
SWHD-26800



SWHD-5080  
SWHD-50800



SWHD-7680  
SWHD-76800

**Note:** Other panel combinations and swings may be specified.

SCALE: 1/4" = 1'

**SINGLE SWING IN-SWING AND OUT-SWING PATIO DOORS**

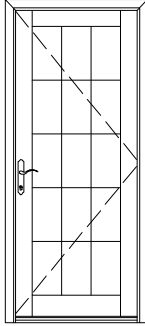
**UNIT IN-SWING**  
**UNIT OUT-SWING**  
**RSO**  
**FRAME**  
**GLASS**

2'-11 1/2"  
3'-0"  
2'-9 3/4"  
2'-9"  
23"

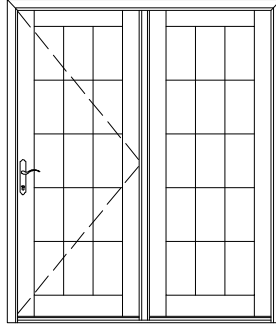
5'-8 1/2"  
5'-9"  
5'-6 3/4"  
5'-6"  
23"

8'-5 1/2"  
8'-6"  
8'-3 3/4"  
8'-3"  
23"

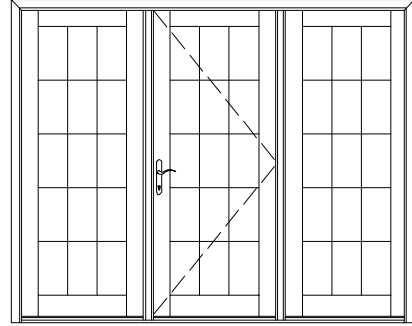
6'-8 3/4"  
6'-9"  
6'-8"  
6'-7 1/2"  
68"



SWHD-2968  
SWHD-29680

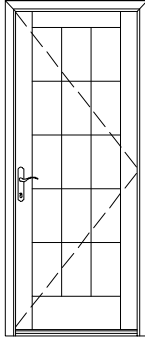


SWHD-5668  
SWHD-56680

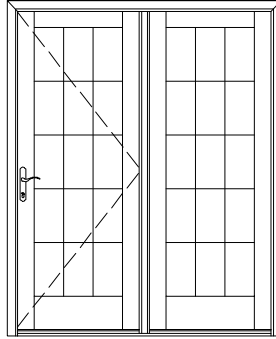


SWHD-8368  
SWHD-83680

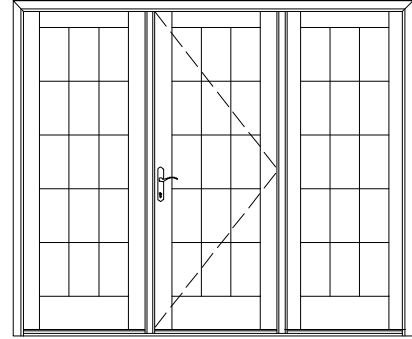
6'-11 3/4"  
7'-0"  
6'-11"  
6'-10 1/2"  
68"



SWHD-29611  
SWHD-296110

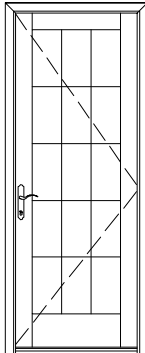


SWHD-56611  
SWHD-566110

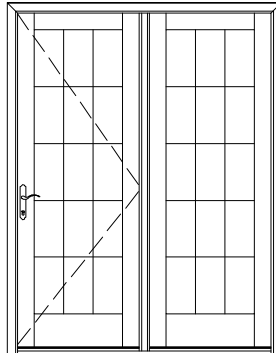


SWHD-83611  
SWHD-836110

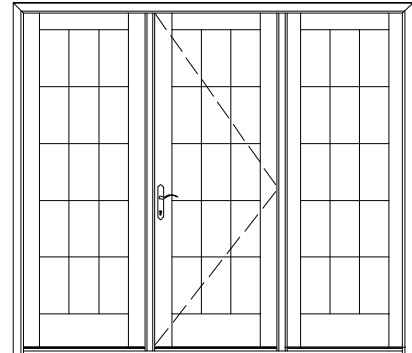
7'-3 3/4"  
7'-4"  
7'-3"  
7'-2 1/2"  
72"



SWHD-2973  
SWHD-29730

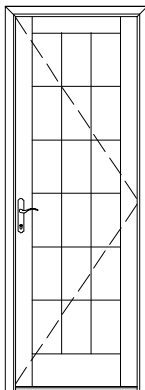


SWHD-5673  
SWHD-56730

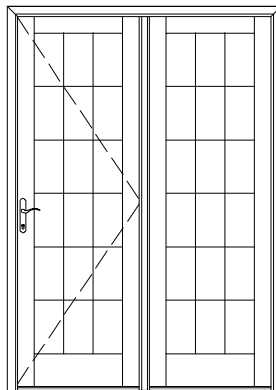


SWHD-8373  
SWHD-83730

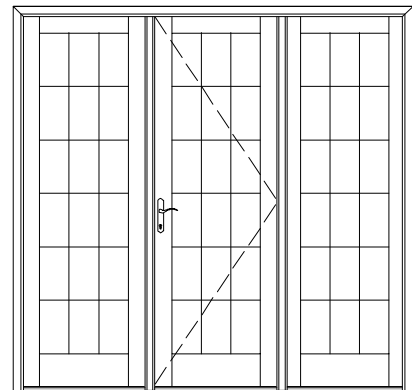
8'-0 3/4"  
8'-1"  
8'-0"  
7'-11 1/2"  
81"



SWHD-2980  
SWHD-29800



SWHD-5680  
SWHD-56800



SWHD-8380  
SWHD-83800

Note: Other panel combinations and swings may be specified.

SCALE: 1/4" = 1'

**SINGLE SWING IN-SWING AND OUT-SWING PATIO DOORS**

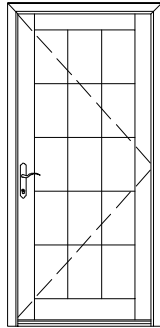
**UNIT IN-SWING**  
**UNIT OUT-SWING**  
**RSO**  
**FRAME**  
**GLASS**

3'-2 1/2"  
3'-3"  
3'-0 3/4"  
3'-0"  
26"

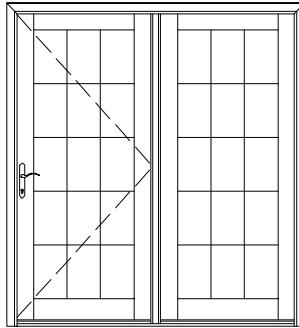
6'-2 1/2"  
6'-3"  
6'-0 3/4"  
6'-0"  
26"

9'-2 1/2"  
9'-3"  
9'-0 3/4"  
9'-0"  
26"

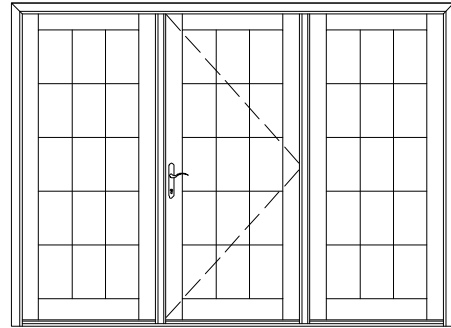
6'-8 3/4"  
6'-9"  
6'-8"  
6'-7 1/2"  
68"



SWHD-3068  
SWHD-3068O

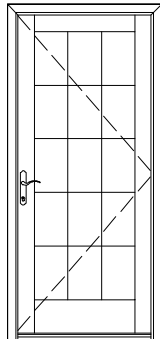


SWHD-6068  
SWHD-6068O

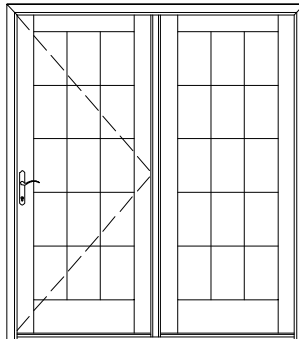


SWHD-9068  
SWHD-9068O

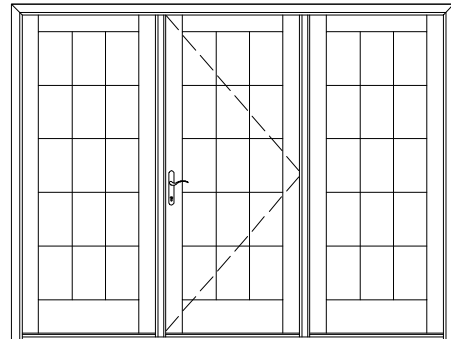
6'-11 3/4"  
7'-0"  
6'-11"  
6'-10 1/2"  
68"



SWHD-30611  
SWHD-30611O

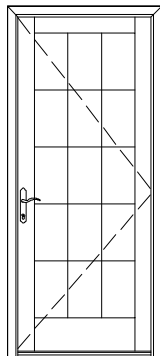


SWHD-60611  
SWHD-60611O

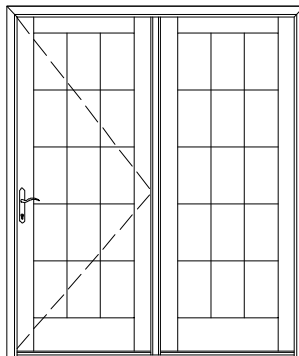


SWHD-90611  
SWHD-90611O

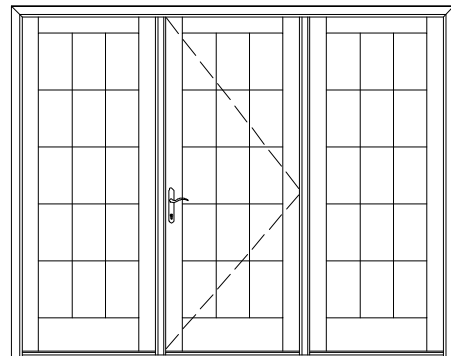
7'-3 3/4"  
7'-4"  
7'-3"  
7'-2 1/2"  
72"



SWHD-3073  
SWHD-3073O

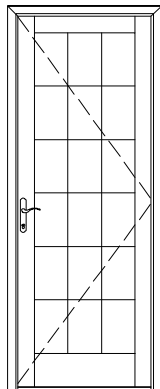


SWHD-6073  
SWHD-6073O

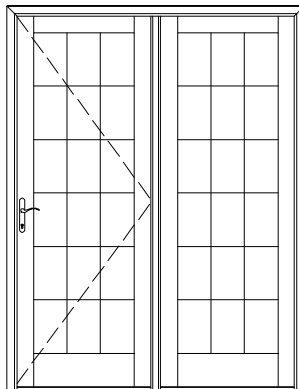


SWHD-9073  
SWHD-9073O

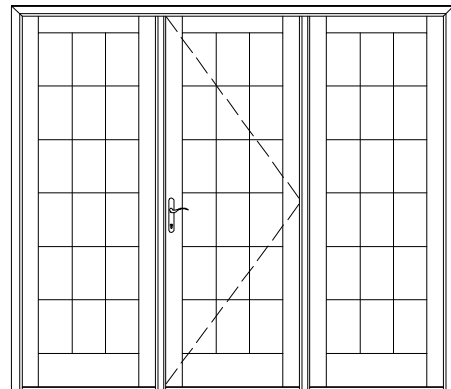
8'-1"  
8'-0 3/4"  
8'-0"  
7'-11 1/2"  
81"



SWHD-3080  
SWHD-3080O



SWHD-6080  
SWHD-6080O



SWHD-9080  
SWHD-9080O

Note: Other panel combinations and swings may be specified.

SCALE: 1/4" = 1'



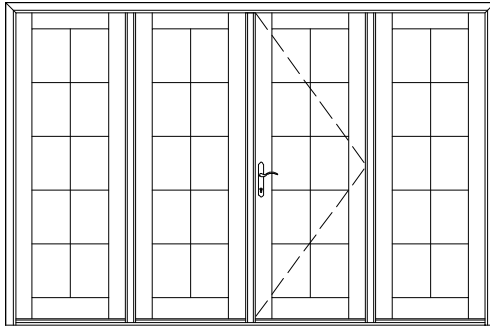
**4-PANEL SINGLE SWING IN-SWING AND OUT-SWING PATIO DOORS**

UNIT IN-SWING  
UNIT OUT-SWING  
RSO  
FRAME  
GLASS

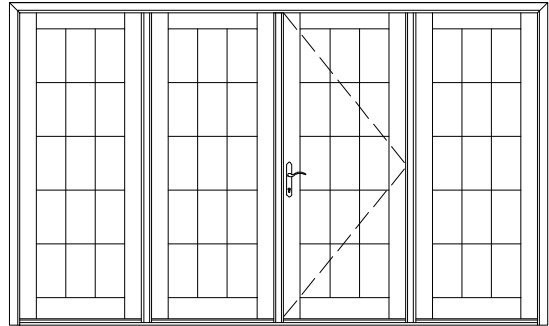
10'-2 1/2"  
10'-3"  
10'-0 3/4"  
10'-0"  
20"

11'-2 1/2"  
11'-3"  
11'-0 3/4"  
11'-0"  
23"

6'-8 3/4"  
6'-9"  
6'-8"  
6'-7 1/2"  
68"

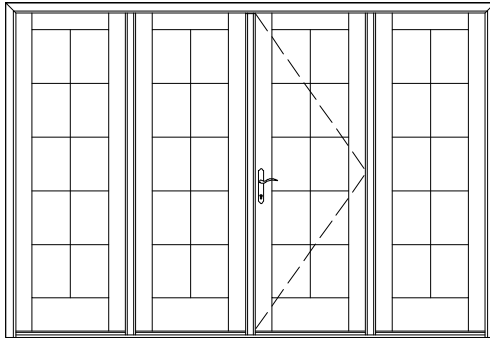


SWHD-10068  
SWHD-100680

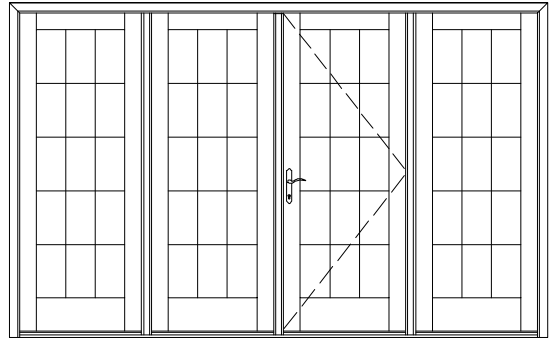


SWHD-11068  
SWHD-110680

6'-11 3/4"  
7'-0"  
6'-11"  
6'-10 1/2"  
68"

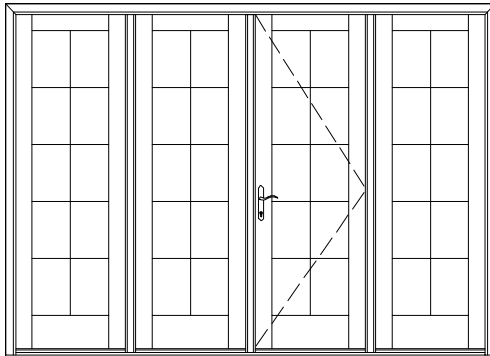


SWHD-100611  
SWHD-1006110

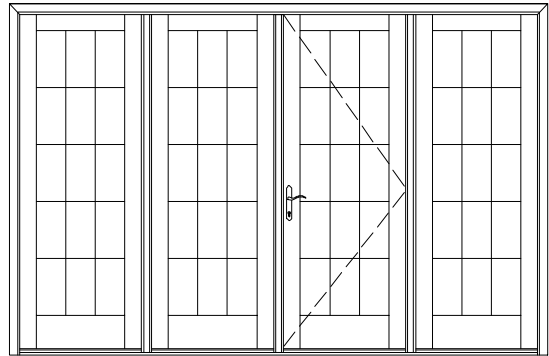


SWHD-110611  
SWHD-1106110

7'-3 3/4"  
7'-4"  
7'-3"  
7'-2 1/2"  
72"

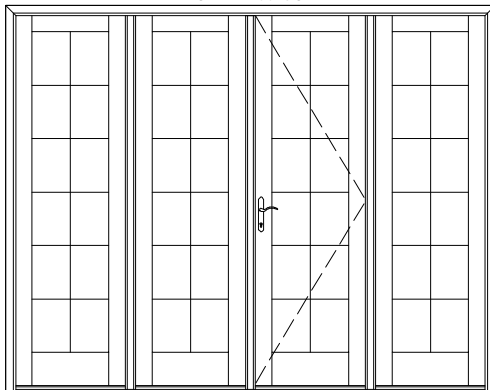


SWHD-10073  
SWHD-100730

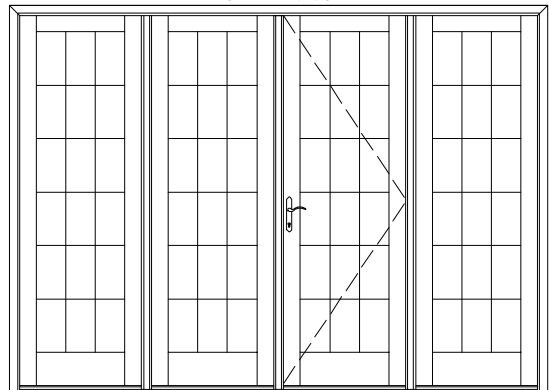


SWHD-11073  
SWHD-110730

8'-0 3/4"  
8'-1"  
8'-0"  
7'-11 1/2"  
81"



SWHD-10080  
SWHD-100800



SWHD-11080  
SWHD-110800

Note: Other panel combinations and swings may be specified.

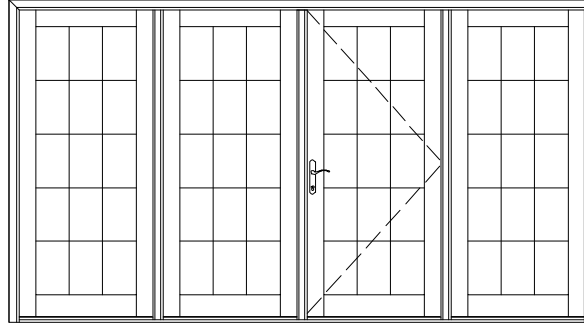
SCALE: 1/4" = 1'

**4-PANEL SINGLE SWING IN-SWING AND OUT-SWING PATIO DOORS**

UNIT IN-SWING  
UNIT OUT-SWING  
RSO  
FRAME  
GLASS

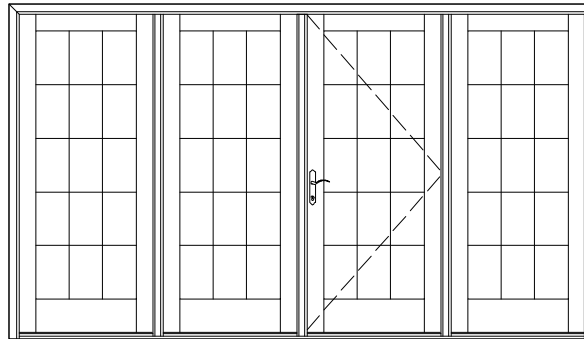
12'-2 1/2"  
12'-3"  
12'-0 3/4"  
12'-0"  
26"

6'-8 3/4"  
6'-9"  
6'-8"  
6'-7 1/2"  
68"



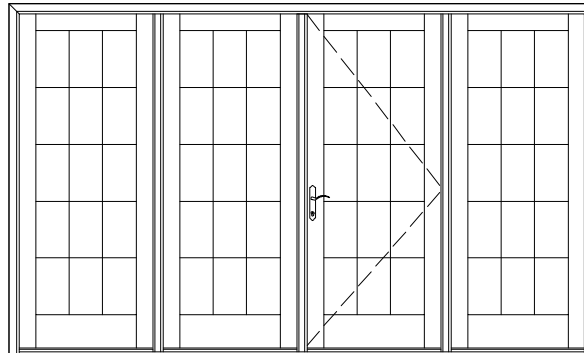
SWHD-12068  
SWHD-120680

6'-11 3/4"  
7'-0"  
6'-11"  
6'-10 1/2"  
68"



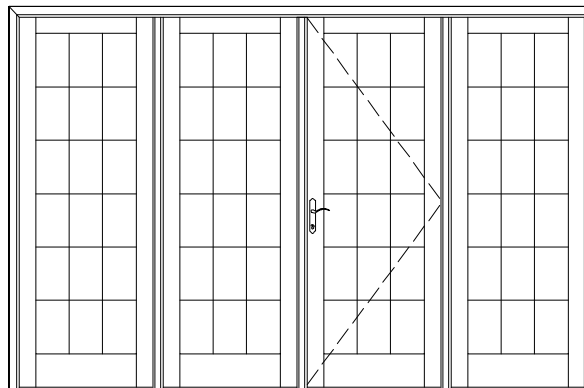
SWHD-120611  
SWHD-1206110

7'-3 3/4"  
7'-4"  
7'-3"  
7'-2 1/2"  
72"



SWHD-12073  
SWHD-120730

8'-0 3/4"  
8'-1"  
8'-0"  
7'-11 1/2"  
81"



SWHD-12080  
SWHD-120800

Note: Other panel combinations and swings may be specified.

SCALE: 1/4" = 1'

**SINGLE SWING COMMERCIAL WIDTH IN-SWING AND OUT-SWING PATIO DOORS**

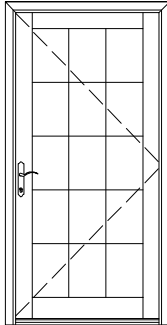
**UNIT IN-SWING**  
**UNIT OUT-SWING**  
**RSO**  
**FRAME**  
**GLASS**

3'-5 1/16"  
3'-5 9/16"  
3'-3 5/16"  
3'-2 9/16"  
28 9/16"

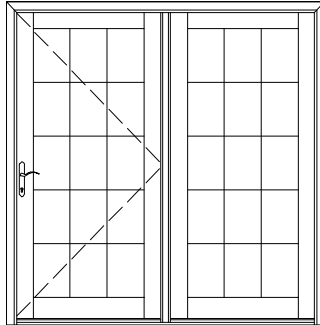
6'-7 5/8"  
6'-8 1/8"  
6'-5 7/8"  
6'-5 1/8"  
28 9/16"

9'-10 3/16"  
9'-10 11/16"  
9'-8 7/16"  
9'-7 11/16"  
28 9/16"

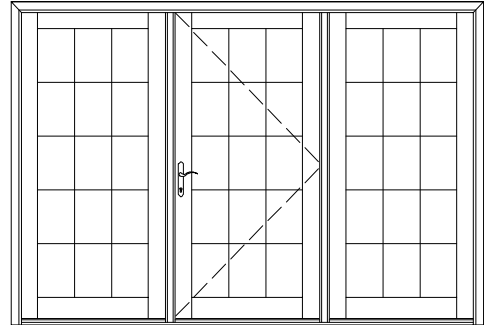
6'-8 3/4"  
6'-9"  
6'-8"  
6'-7 1/2"  
68"



SWHD-30C68  
SWHD-30C680

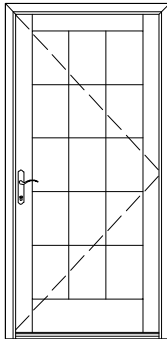


SWHD-60C68  
SWHD-60C680

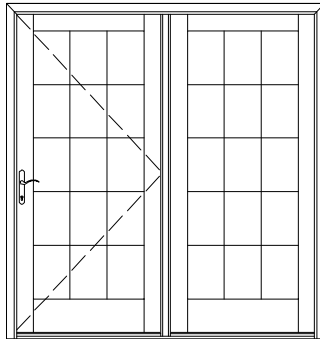


SWHD-90C68  
SWHD-90C680

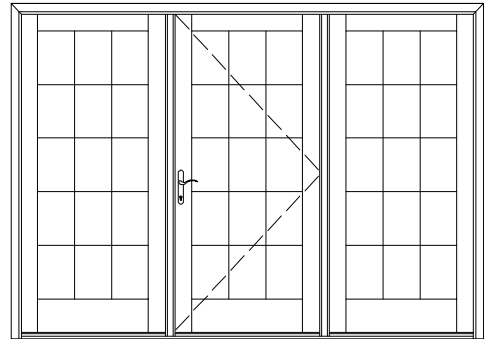
6'-11 3/4"  
7'-0"  
6'-11"  
6'-10 1/2"  
68"



SWHD-30C611  
SWHD-30C6110

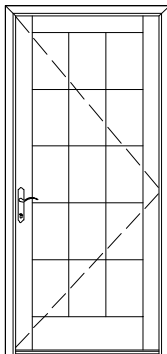


SWHD-60C611  
SWHD-60C6110

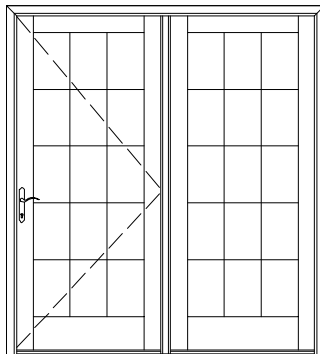


SWHD-90C611  
SWHD-90C6110

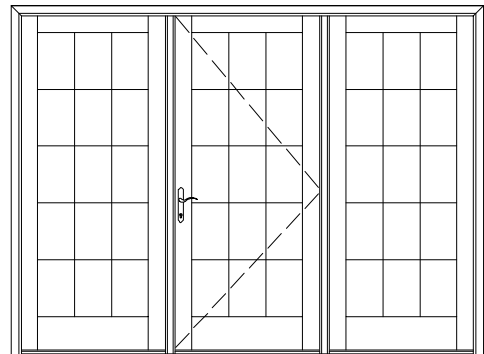
7'-3 3/4"  
7'-4"  
7'-3"  
7'-2 1/2"  
72"



SWHD-30C73  
SWHD-30C730

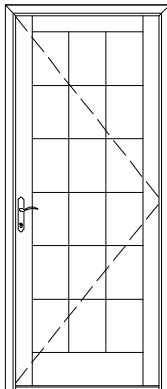


SWHD-60C73  
SWHD-60C730

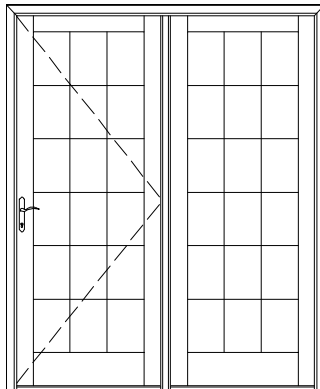


SWHD-90C73  
SWHD-90C730

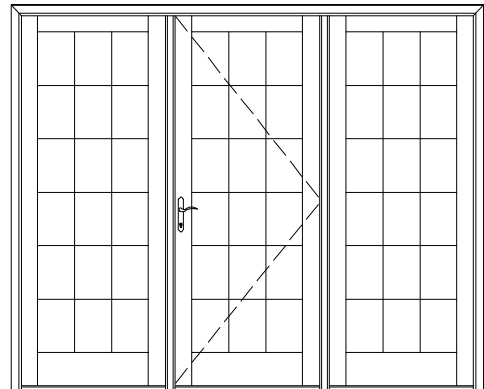
8'-0 3/4"  
8'-1"  
8'-0"  
7'-11 1/2"  
81"



SWHD-30C80  
SWHD-30C800



SWHD-60C80  
SWHD-60C800



SWHD-90C80  
SWHD-90C800

Note: Other panel combinations and swings may be specified.

SCALE: 1/4" = 1'

**SINGLE SWING COMMERCIAL WIDTH IN-SWING AND OUT-SWING PATIO DOORS  
WITH HANDICAP SILL**

These doors have shorter frame and rough opening heights due to the handicap sill.

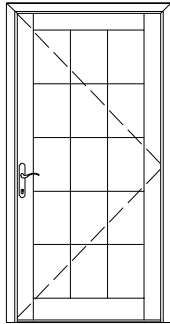
**UNIT IN-SWING**  
**UNIT OUT-SWING**  
**RSO**  
**FRAME**  
**GLASS**

3'-5 1/16"  
3'-5 9/16"  
3'-3 5/16"  
3'-2 9/16"  
28 9/16"

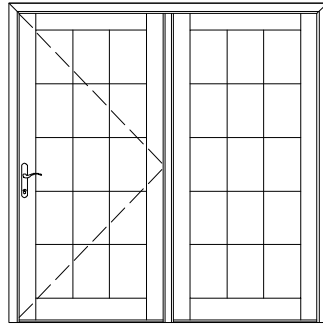
6'-7 5/8"  
6'-8 1/8"  
6'-5 7/8"  
6'-5 1/8"  
28 9/16"

9'-10 3/16"  
9'-10 11/16"  
9'-8 7/16"  
9'-7 11/16"  
28 9/16"

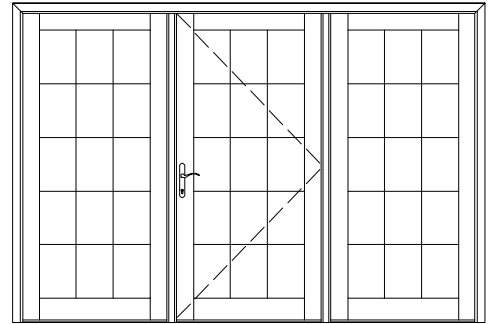
6'-7 15/16"  
6'-8 3/16"  
6'-7 3/16"  
6'-6 11/16"  
68"



SWHD-30C68  
SWHD-30C68O

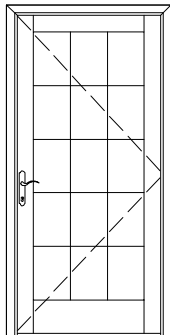


SWHD-60C68  
SWHD-60C68O

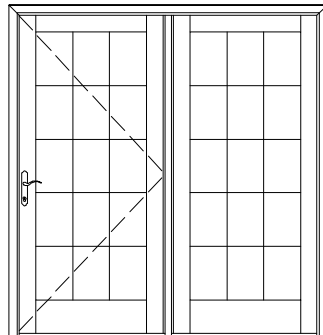


SWHD-90C68  
SWHD-90C68O

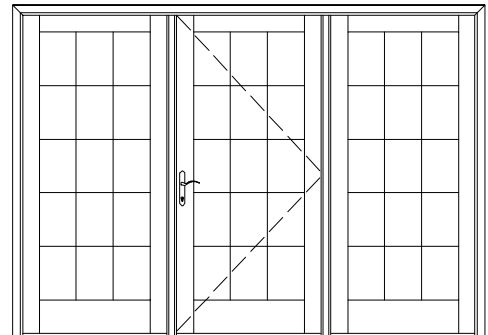
6'-10 15/16"  
6'-11 3/16"  
6'-10 3/16"  
6'-9 11/16"  
68"



SWHD-30C611  
SWHD-30C611O

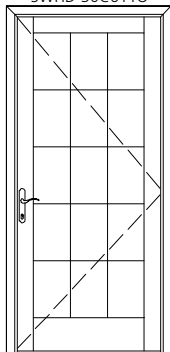


SWHD-60C611  
SWHD-60C611O

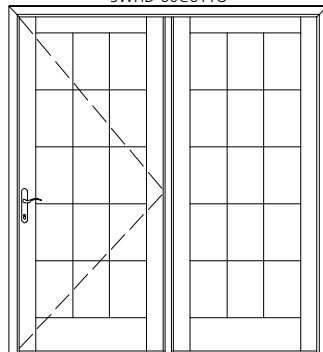


SWHD-90C611  
SWHD-90C611O

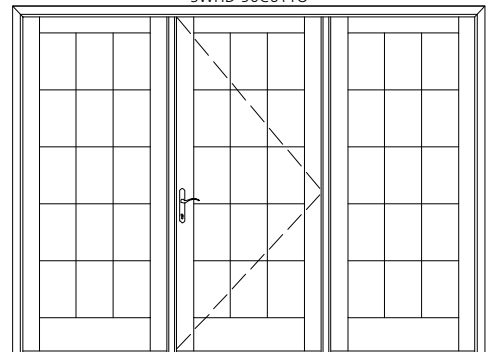
7'-2 15/16"  
7'-3 3/16"  
7'-2 3/16"  
7'-1 11/16"  
72"



SWHD-30C73  
SWHD-30C73O

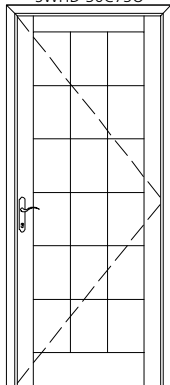


SWHD-60C73  
SWHD-60C73O

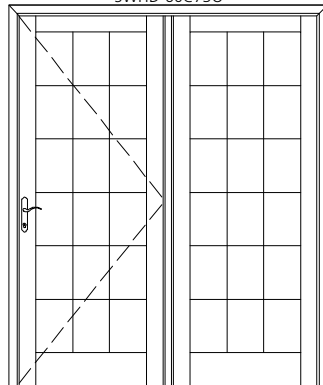


SWHD-90C73  
SWHD-90C73O

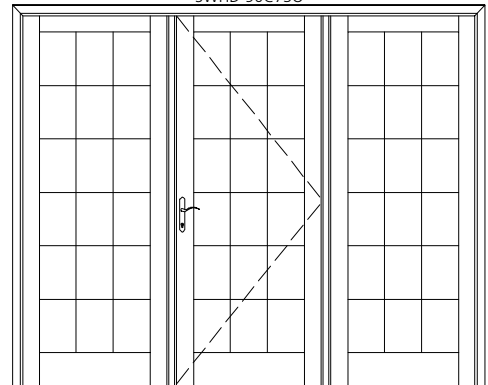
7'-11 15/16"  
8'-0 3/16"  
7'-11 3/16"  
7'-10 11/16"  
81"



SWHD-30C80  
SWHD-30C80O



SWHD-60C80  
SWHD-60C80O



SWHD-90C80  
SWHD-90C80O

Note: Other panel combinations and swings may be specified.

SCALE: 1/4" = 1'

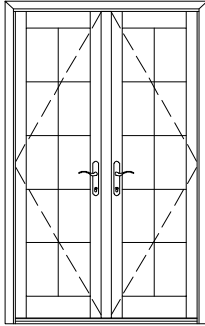
**FRENCH IN-SWING AND OUT-SWING PATIO DOORS**

**UNIT IN-SWING**  
**UNIT OUT-SWING**  
**RSO**  
**FRAME**  
**GLASS**

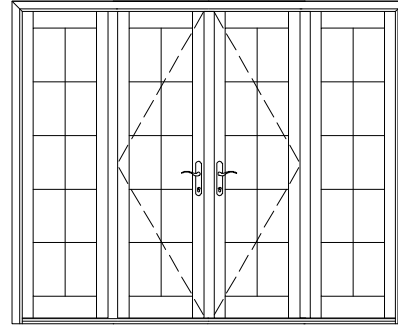
4'-2 1/2"  
4'-3"  
4'-0 3/4"  
4'-0"  
16 3/4"

8'-2 1/2"  
8'-3"  
8'-0 3/4"  
8'-0"  
16 3/4"

6'-8 3/4"  
6'-9"  
6'-8"  
6'-7 1/2"  
68"

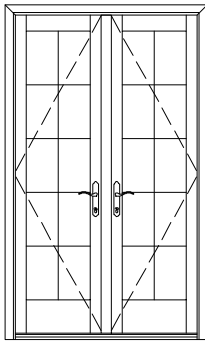


SWHD-4068F  
SWHD-4068FO

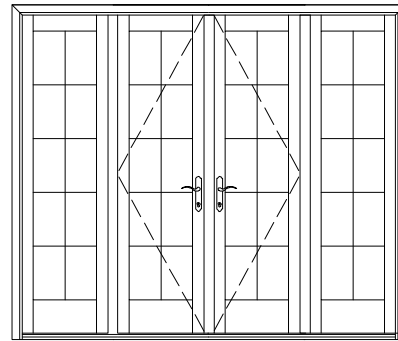


SWHD-8068F  
SWHD-8068FO

6'-11 3/4"  
7'-0"  
6'-11"  
6'-10 1/2"  
68"

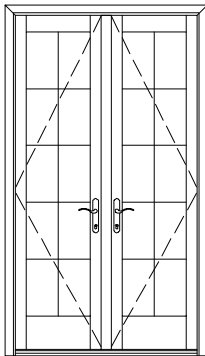


SWHD-40611F  
SWHD-40611FO

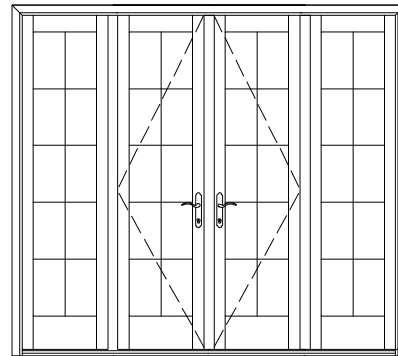


SWHD-80611F  
SWHD-80611FO

7'-3 3/4"  
7'-4"  
7'-3"  
7'-2 1/2"  
72"

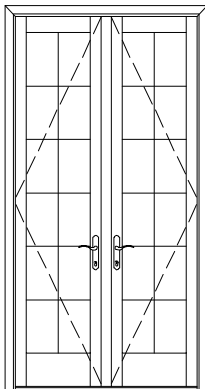


SWHD-4073F  
SWHD-4073FO

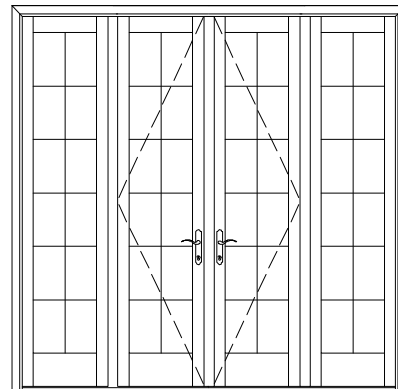


SWHD-8073F  
SWHD-8073FO

8'-0 3/4"  
8'-1"  
8'-0"  
7'-11 1/2"  
81"



SWHD-4080F  
SWHD-4080FO



SWHD-8080F  
SWHD-8080FO

Note: Other panel combinations and swings may be specified.

SCALE: 1/4" = 1'

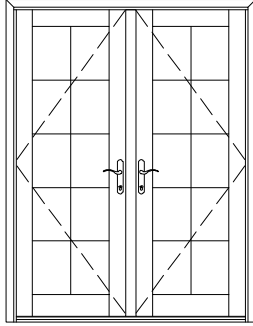
**FRENCH IN-SWING AND OUT-SWING PATIO DOORS**

**UNIT IN-SWING**  
**UNIT OUT-SWING**  
**RSO**  
**FRAME**  
**GLASS**

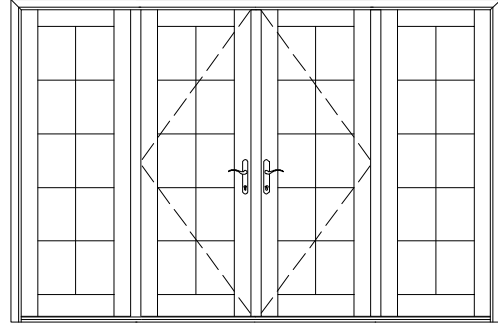
5'-2 1/2"  
5'-3"  
5'-0 3/4"  
5'-0"  
20"

10'-2 1/2"  
10'-3"  
10'-0 3/4"  
10'-0"  
20"

6'-8 3/4"  
6'-9"  
6'-8"  
6'-7 1/2"  
68"

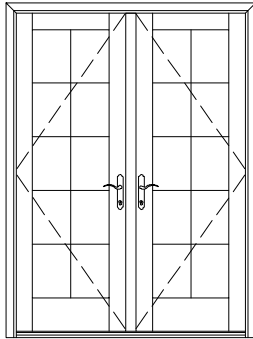


SWHD-5068F  
SWHD-5068FO

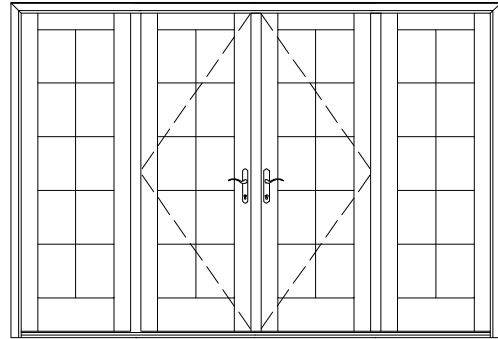


SWHD-10068F  
SWHD-10068FO

6'-11 3/4"  
7'-0"  
6'-11"  
6'-10 1/2"  
68"

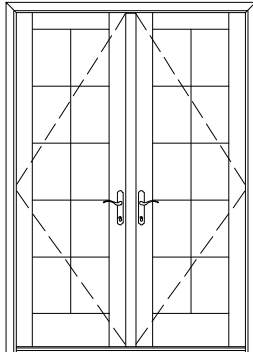


SWHD-50611F  
SWHD-50611FO

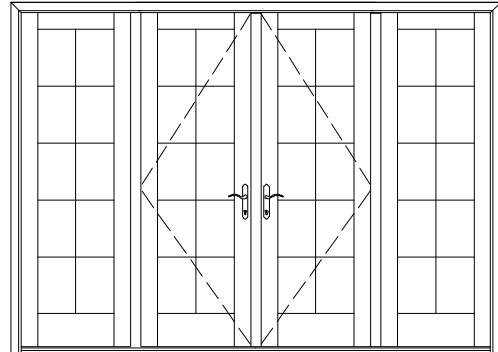


SWHD-100611F  
SWHD-100611FO

7'-3 3/4"  
7'-4"  
7'-3"  
7'-2 1/2"  
72"

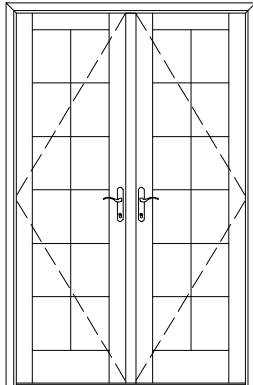


SWHD-5073F  
SWHD-5073FO

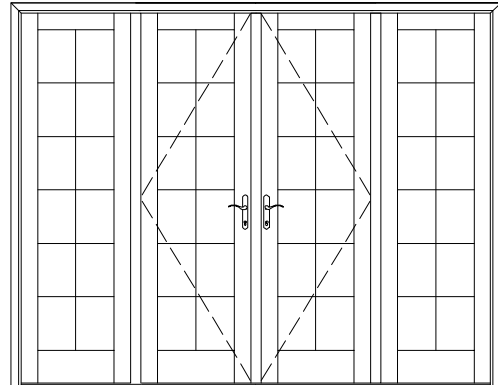


SWHD-10073F  
SWHD-10073FO

8'-0 3/4"  
8'-1"  
8'-0"  
7'-11 1/2"  
81"



SWHD-5080F  
SWHD-5080FO



SWHD-10080F  
SWHD-10080FO

Note: Other panel combinations and swings may be specified.

SCALE: 1/4" = 1'

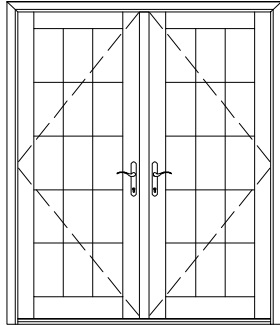
**FRENCH IN-SWING AND OUT-SWING PATIO DOORS**

UNIT IN-SWING  
UNIT OUT-SWING  
RSO  
FRAME  
GLASS

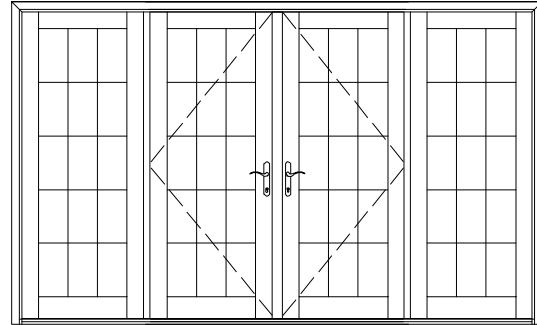
5'-8 1/2"  
5'-9"  
5'-6 3/4"  
5'-6"  
23"

11'-2 1/2"  
11'-3"  
11'-0 3/4"  
11'-0"  
23"

6'-8 3/4"  
6'-9"  
6'-8"  
6'-7 1/2"  
68"

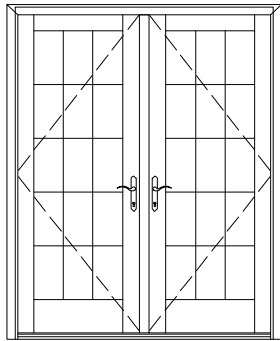


SWHD-5668F  
SWHD-5668FO

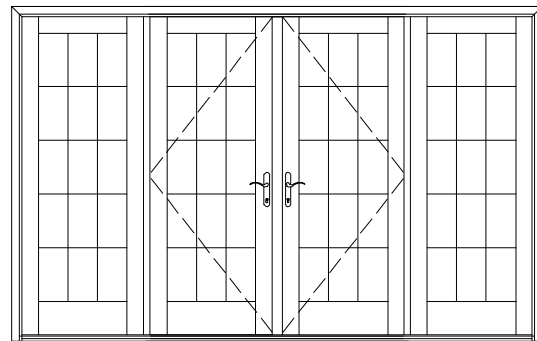


SWHD-11068F  
SWHD-11068FO

6'-11 3/4"  
7'-0"  
6'-11"  
6'-10 1/2"  
68"

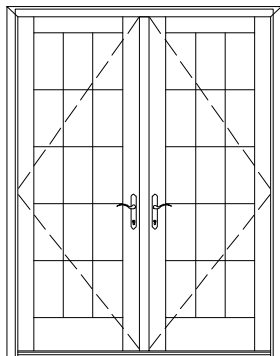


SWHD-56611F  
SWHD-56611FO

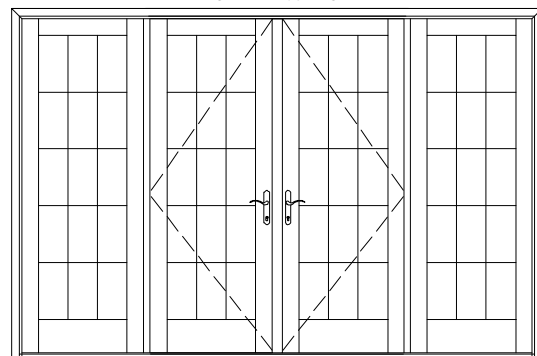


SWHD-110611F  
SWHD-110611FO

7'-3 3/4"  
7'-4"  
7'-3"  
7'-2 1/2"  
72"

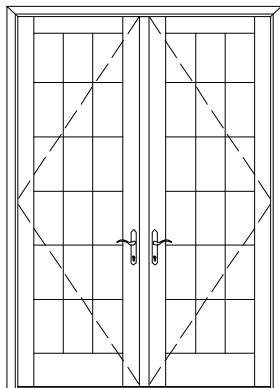


SWHD-5673F  
SWHD-5673FO

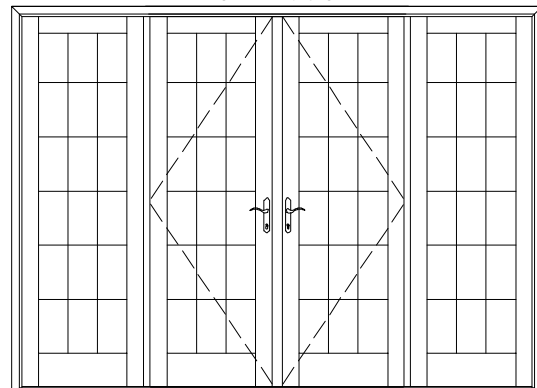


SWHD-11073F  
SWHD-11073FO

8'-0 3/4"  
8'-1"  
8'-0"  
7'-11 1/2"  
81"



SWHD-5680F  
SWHD-5680FO



SWHD-11080F  
SWHD-11080FO

Note: Other panel combinations and swings may be specified.

SCALE: 1/4" = 1'

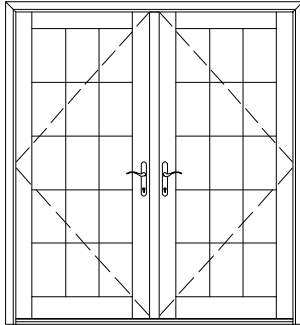
**FRENCH IN-SWING AND OUT-SWING PATIO DOORS**

UNIT IN-SWING  
UNIT OUT-SWING  
RSO  
FRAME  
GLASS

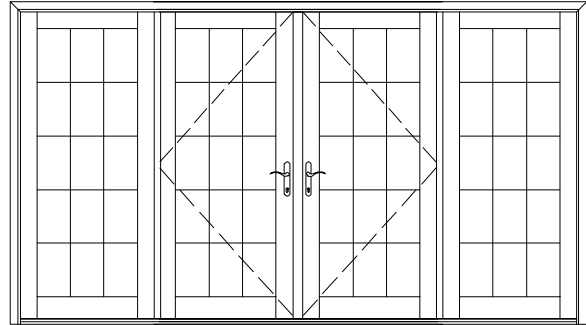
6'-2 1/2"  
6'-3"  
6'-0 3/4"  
6'-0"  
26"

12'-2 1/2"  
12'-3"  
12'-0 3/4"  
12'-0"  
26"

6'-8 3/4"  
6'-9"  
6'-8"  
6'-7 1/2"  
68"

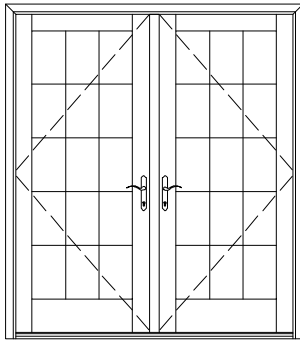


SWHD-6068F  
SWHD-6068FO

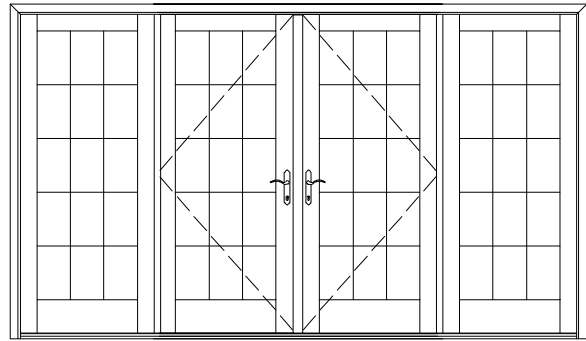


SWHD-12068F  
SWHD-12068FO

6'-11 3/4"  
7'-0"  
6'-11"  
6'-10 1/2"  
68"

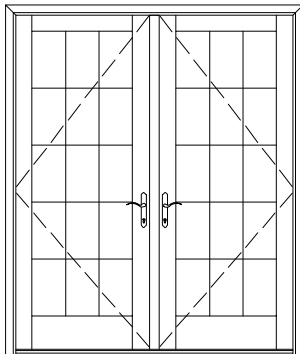


SWHD-60611F  
SWHD-60611FO

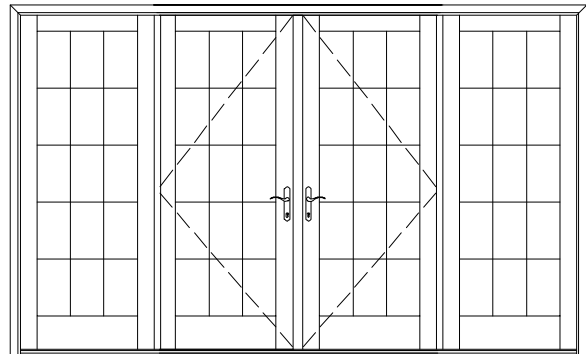


SWHD-120611F  
SWHD-120611FO

7'-3 3/4"  
7'-4"  
7'-3"  
7'-2 1/2"  
72"

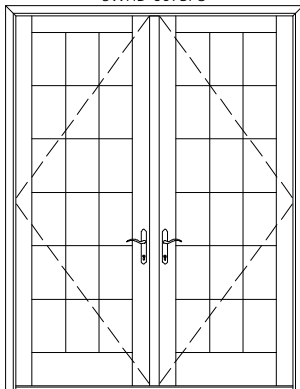


SWHD-6073F  
SWHD-6073FO

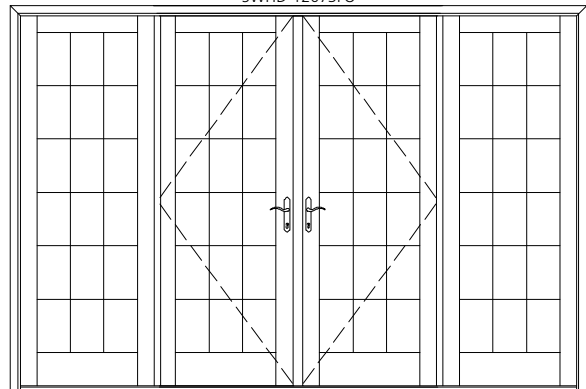


SWHD-12073F  
SWHD-12073FO

8'-0 3/4"  
8'-1"  
8'-0"  
7'-11 1/2"  
81"



SWHD-6080F  
SWHD-6080FO



SWHD-12080F  
SWHD-12080FO

Note: Other panel combinations and swings may be specified.

SCALE: 1/4" = 1'



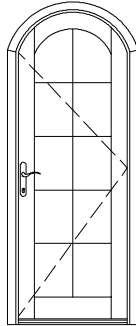
**SINGLE SWING IN-SWING SECTOR TOP PATIO DOORS**

UNIT IN-SWING  
UNIT OUT-SWING  
RSO  
FRAME  
GLASS

2'-8 1/2"  
2'-9"  
2'-6 3/4"  
2'-6"  
20"

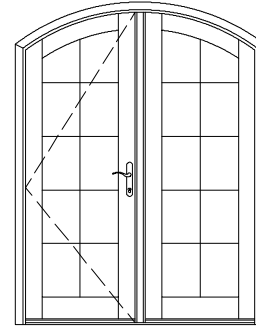
5'-2 1/2"  
5'-3"  
5'-0 3/4"  
5'-0"  
20"

LEG  
5'-8 1/2"  
MAX DROP 11"



SWHD-2668 SEG TOP

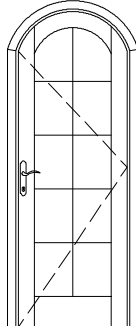
LEG  
5'-9 1/2"  
MAX DROP 10"



SWHD-5068 SEG TOP

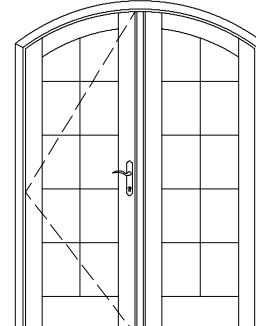
6'-8 3/4"  
6'-9"  
6'-8"  
6'-7 1/2"  
68"

LEG  
5'-11 1/2"  
MAX DROP 11"



SWHD-26611 SEG TOP

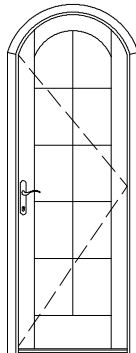
LEG  
6'-0 1/2"  
MAX DROP 10"



SWHD-50611 SEG TOP

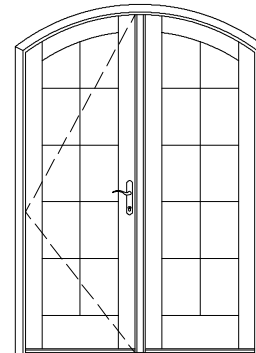
6'-11 3/4"  
7'-0"  
6'-11"  
6'-10 1/2"  
68"

LEG  
6'-3 1/2"  
MAX DROP 11"



SWHD-2673 SEG TOP

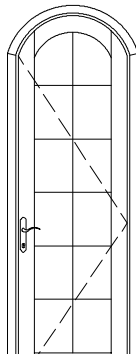
LEG  
6'-4 1/2"  
MAX DROP 10"



SWHD-5073 SEG TOP

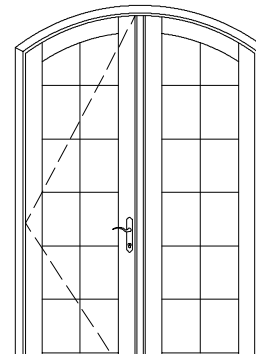
7'-3 3/4"  
7'-4"  
7'-3"  
7'-2 1/2"  
72"

LEG  
7'-0 1/2"  
MAX DROP 11"



SWHD-2680 SEG TOP

LEG  
7'-1 1/2"  
MAX DROP 10"



SWHD-5080 SEG TOP

8'-0 3/4"  
8'-1"  
8'-0"  
7'-11 1/2"  
81"

**Note:** Other panel combinations and swings may be specified.  
3 & 4 Panel Radius doors are available, contact JELD-WEN for assistance.  
Sector Top doors have multi-point hardware.

SCALE: 1/4" = 1'

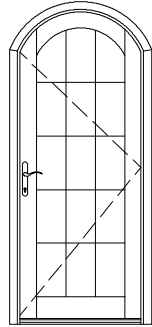
**SINGLE SWING IN-SWING SECTOR TOP PATIO DOORS**

UNIT IN-SWING  
UNIT OUT-SWING  
RSO  
FRAME  
GLASS

2'-11 1/2"  
3'-0"  
2'-9 3/4"  
2'-9"  
23"

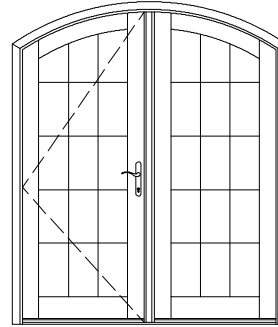
5'-8 1/2"  
5'-9"  
5'-6 3/4"  
5'-6"  
23"

LEG  
5'-8 1/2"  
MAX DROP 11"



SWHD-2968 SEG TOP

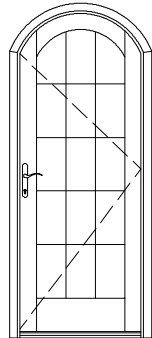
LEG  
5'-9 1/2"  
MAX DROP 10"



SWHD-5668 SEG TOP

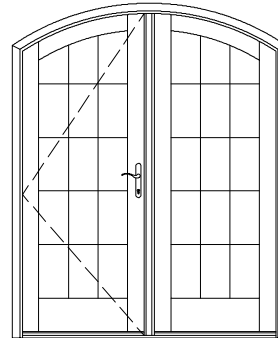
6'-8 3/4"  
6'-9"  
6'-8"  
6'-7 1/2"  
68"

LEG  
5'-11 1/2"  
MAX DROP 11"



SWHD-29611 SEG TOP

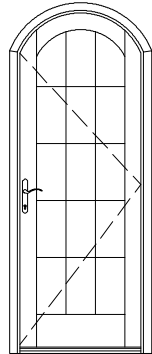
LEG  
6'-0 1/2"  
MAX DROP 10"



SWHD-56611 SEG TOP

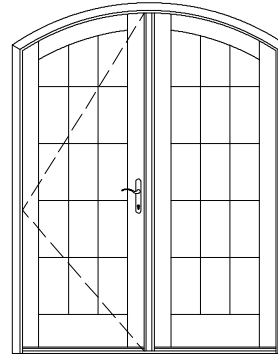
6'-11 3/4"  
7'-0"  
6'-11"  
6'-10 1/2"  
68"

LEG  
6'-3 1/2"  
MAX DROP 11"



SWHD-2973 SEG TOP

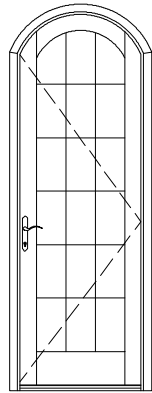
LEG  
6'-4 1/2"  
MAX DROP 10"



SWHD-5673 SEG TOP

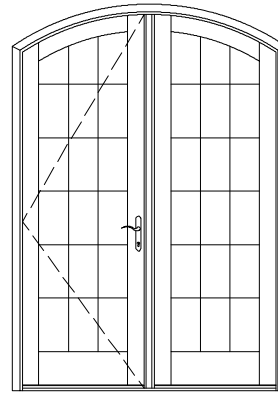
7'-3 3/4"  
7'-4"  
7'-3"  
7'-2 1/2"  
72"

LEG  
7'-0 1/2"  
MAX DROP 11"



SWHD-2980 SEG TOP

LEG  
7'-1 1/2"  
MAX DROP 10"



SWHD-5680 SEG TOP

8'-0 3/4"  
8'-1"  
8'-0"  
7'-11 1/2"  
81"

Note: Other panel combinations and swings may be specified.  
3 & 4 Panel Radius doors are available, contact JELD-WEN for assistance.  
Sector Top doors have multi-point hardware.

SCALE: 1/4" = 1'

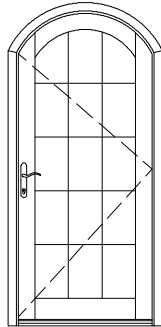
**SINGLE SWING IN-SWING SECTOR TOP PATIO DOORS**

UNIT IN-SWING  
UNIT OUT-SWING  
RSO  
FRAME  
GLASS

3'-2 1/2"  
3'-3"  
3'-0 3/4"  
3'-0"  
26"

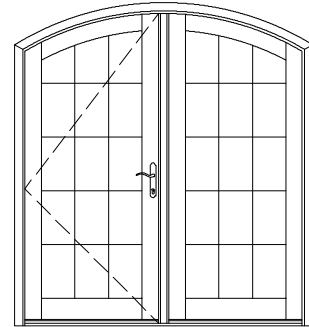
6'-2 1/2"  
6'-3"  
6'-0 3/4"  
6'-0"  
26"

LEG  
5'-8 1/2"  
MAX DROP 11"



SWHD-3068 SEG TOP

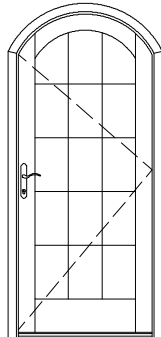
LEG  
5'-9 1/2"  
MAX DROP 10"



SWHD-6068 SEG TOP

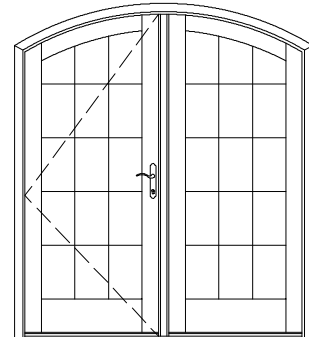
6'-8 3/4"  
6'-9"  
6'-8"  
6'-7 1/2"  
68"

LEG  
5'-11 1/2"  
MAX DROP 11"



SWHD-30611 SEG TOP

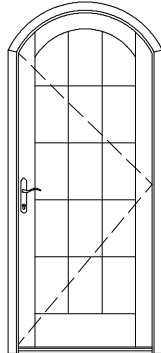
LEG  
6'-0 1/2"  
MAX DROP 10"



SWHD-60611 SEG TOP

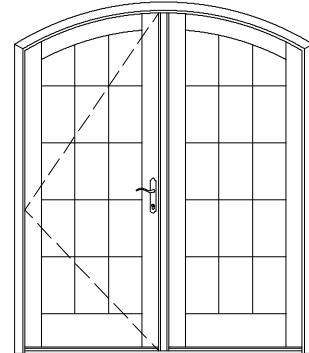
6'-11 3/4"  
7'-0"  
6'-11"  
6'-10 1/2"  
68"

LEG  
6'-3 1/2"  
MAX DROP 11"



SWHD-3073 SEG TOP

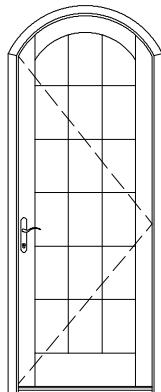
LEG  
6'-4 1/2"  
MAX DROP 10"



SWHD-6073 SEG TOP

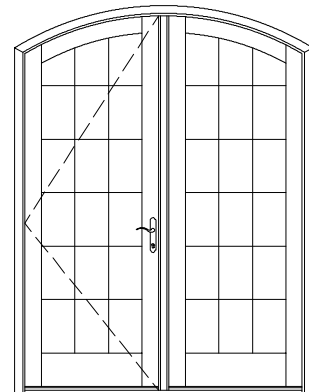
7'-3 3/4"  
7'-4"  
7'-3"  
7'-2 1/2"  
72"

LEG  
7'-0 1/2"  
MAX DROP 11"



SWHD-3080 SEG TOP

LEG  
7'-1 1/2"  
MAX DROP 10"



SWHD-6080 SEG TOP

Note: Other panel combinations and swings may be specified.  
3 & 4 Panel Radius doors are available, contact JELD-WEN for assistance.  
Sector Top doors have multi-point hardware.

SCALE: 1/4" = 1'

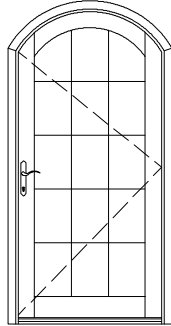
**SINGLE SWING IN-SWING SECTOR TOP PATIO DOORS**  
**COMMERCIAL WIDTH**

UNIT IN-SWING  
UNIT OUT-SWING  
RSO  
FRAME  
GLASS

3'-5 1/16"  
3'-5 9/16"  
3'-3 5/16"  
3'-2 9/16"  
28 9/16"

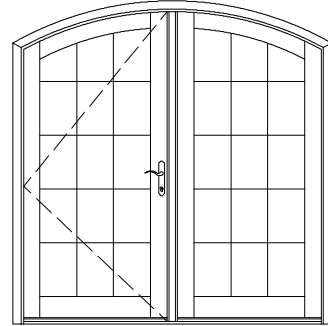
6'-7 5/8"  
6'-8 1/8"  
6'-5 7/8"  
6'-5 1/8"  
28 9/16"

LEG  
5'-8 1/2"  
MAX DROP 11"



SWHD-30C68 SEG TOP

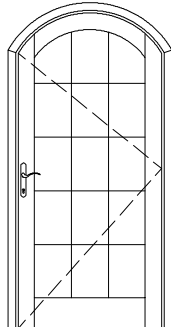
LEG  
5'-9 1/2"  
MAX DROP 10"



SWHD-60C68 SEG TOP

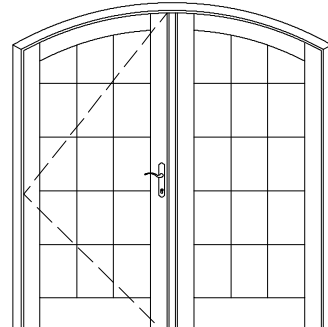
6'-8 3/4"  
6'-9"  
6'-8"  
6'-7 1/2"  
68"

LEG  
5'-11 1/2"  
MAX DROP 11"



SWHD-30C611 SEG TOP

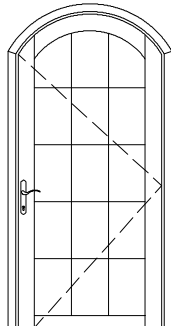
LEG  
6'-0 1/2"  
MAX DROP 10"



SWHD-60C611 SEG TOP

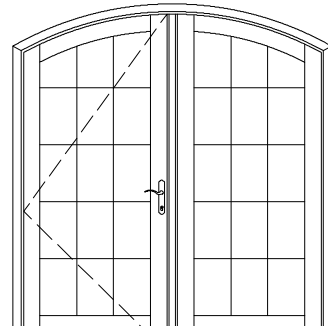
6'-11 3/4"  
7'-0"  
6'-11"  
6'-10 1/2"  
68"

LEG  
6'-3 1/2"  
MAX DROP 11"



SWHD-30C73 SEG TOP

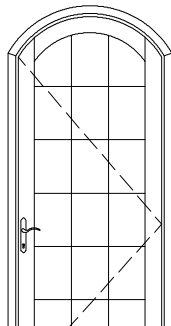
LEG  
6'-4 1/2"  
MAX DROP 10"



SWHD-60C73 SEG TOP

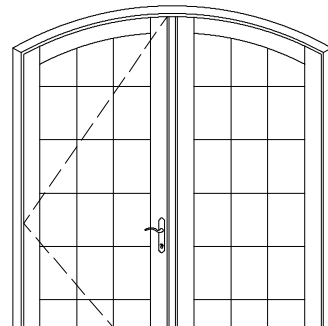
7'-3 3/4"  
7'-4"  
7'-3"  
7'-2 1/2"  
72"

LEG  
7'-0 1/2"  
MAX DROP 11"



SWHD-30C80 SEG TOP

LEG  
7'-1 1/2"  
MAX DROP 10"



SWHD-60C80 SEG TOP

8'-0 3/4"  
8'-1"  
8'-0"  
7'-11 1/2"  
81"

Note: Other panel combinations and swings may be specified.  
3 & 4 Panel Radius doors are available, contact JELD-WEN for assistance.  
Sector Top doors have multi-point hardware.

SCALE: 1/4" = 1'

**FRENCH IN-SWING SECTOR TOP PATIO DOORS**

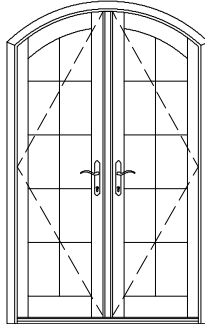
UNIT IN-SWING  
UNIT OUT-SWING  
RSO  
FRAME  
GLASS

4'-2 1/2"  
4'-3"  
4'-0 3/4"  
4'-0"  
16 3/4"

5'-2 1/2"  
5'-3"  
5'-0 3/4"  
5'-0"  
20"

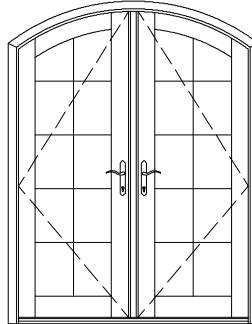
5'-8 1/2"  
5'-9"  
5'-6 3/4"  
5'-6"  
23"

LEG  
5'-10"  
MAX DROP 9 1/2"



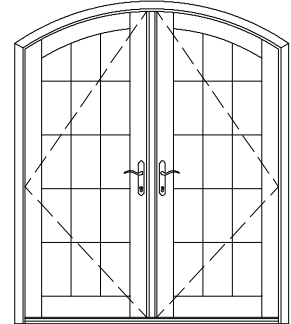
SWHD-4068F SEG TOP

LEG  
5'-9 1/2"  
MAX DROP 10"



SWHD-5068F SEG TOP

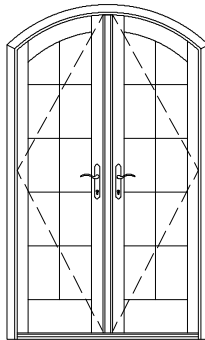
LEG  
5'-9 1/2"  
MAX DROP 10"



SWHD-5668F SEG TOP

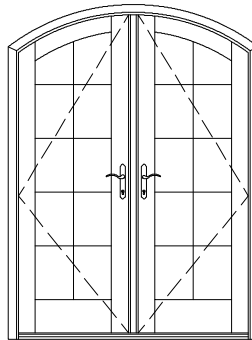
6'-8 3/4"  
6'-9"  
6'-8"  
6'-7 1/2"  
68"

LEG  
6'-1"  
MAX DROP 9 1/2"



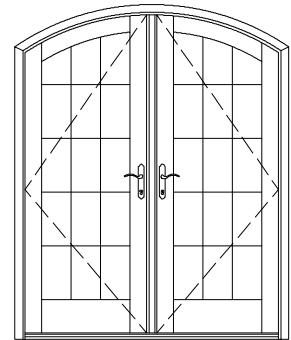
SWHD-40611F SEG TOP

LEG  
6'-0 1/2"  
MAX DROP 10"



SWHD-50611F SEG TOP

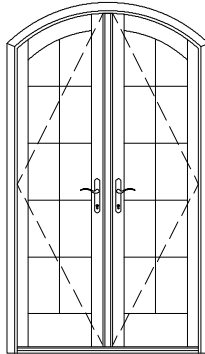
LEG  
6'-0 1/2"  
MAX DROP 10"



SWHD-56611F SEG TOP

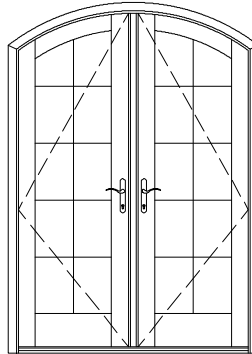
6'-11 3/4"  
7'-0"  
6'-11"  
6'-10 1/2"  
68"

LEG  
6'-5"  
MAX DROP 9 1/2"



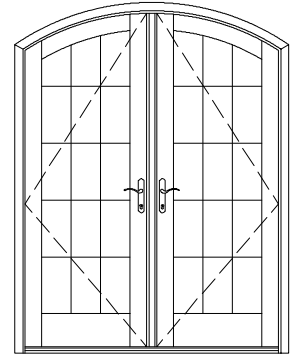
SWHD-4073F SEG TOP

LEG  
6'-4 1/2"  
MAX DROP 10"



SWHD-5073F SEG TOP

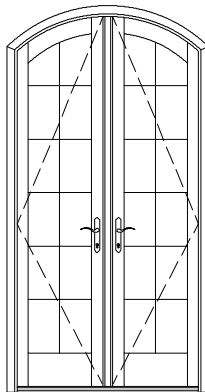
LEG  
6'-4 1/2"  
MAX DROP 10"



SWHD-5673F SEG TOP

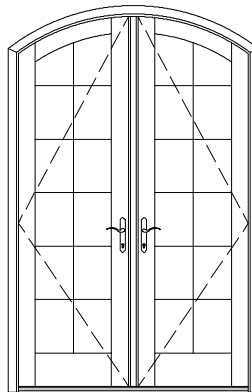
7'-3 3/4"  
7'-4"  
7'-3"  
7'-2 1/2"  
72"

LEG  
7'-2"  
MAX DROP 9 1/2"



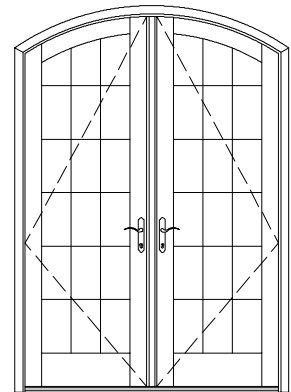
SWHD-4080F SEG TOP

LEG  
7'-1 1/2"  
MAX DROP 10"



SWHD-5080F SEG TOP

LEG  
7'-1 1/2"  
MAX DROP 10"



SWHD-5680F SEG TOP

8'-0 3/4"  
8'-1"  
8'-0"  
7'-11 1/2"  
81"

Note: Other panel combinations and swings may be specified.  
3 & 4 Panel Radius doors are available, contact JELD-WEN for assistance.  
Sector Top doors have multi-point hardware.

SCALE: 1/4" = 1'

**FRENCH AND FRENCH COMMERCIAL IN-SWING SECTOR TOP PATIO DOORS**

**SECTOR TOP PATIO DOORS**

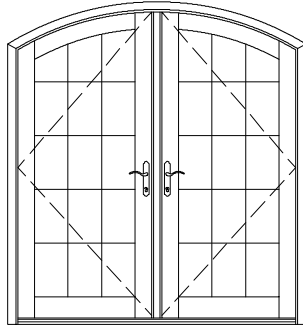
**COMMERCIAL SECTOR TOP PATIO DOORS**

UNIT IN-SWING  
UNIT OUT-SWING  
RSO  
FRAME  
GLASS

6'-2 1/2"  
6'-3"  
6'-0 3/4"  
6'-0"  
26"

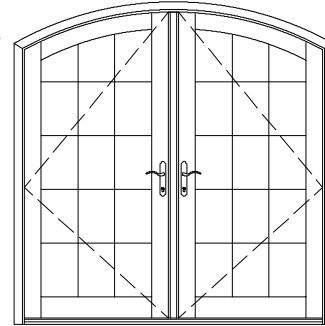
6'-7 5/8"  
6'-8 1/8"  
6'-5 7/8"  
6'-5 1/8"  
28 9/16"

LEG  
5'-9 1/2"  
MAX DROP 10"



SWHD-6068F SEG TOP

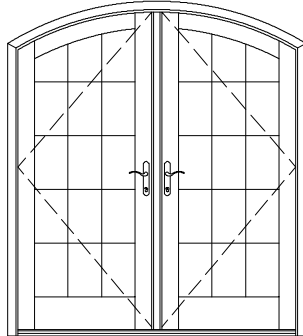
LEG  
5'-9 1/2"  
MAX DROP 10"



SWHD-60C68F SEG TOP

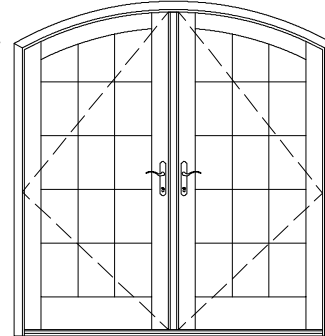
6'-8 3/4"  
6'-9"  
6'-8"  
6'-7 1/2"  
68"

LEG  
6'-0 1/2"  
MAX DROP 10"



SWHD-60611F SEG TOP

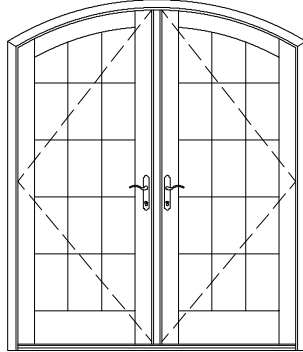
LEG  
6'-0 1/2"  
MAX DROP 10"



SWHD-60C611F SEG TOP

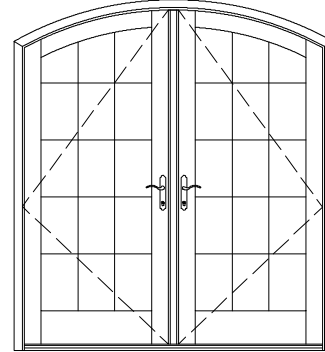
6'-11 3/4"  
7'-0"  
6'-11"  
6'-10 1/2"  
68"

LEG  
6'-4 1/2"  
MAX DROP 10"



SWHD-6073F SEG TOP

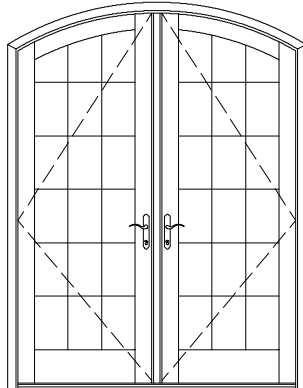
LEG  
6'-4 1/2"  
MAX DROP 10"



SWHD-60C73F SEG TOP

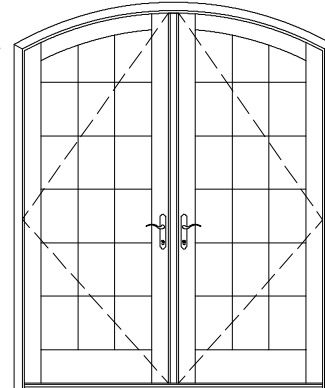
7'-3 3/4"  
7'-4"  
7'-3"  
7'-2 1/2"  
72"

LEG  
7'-1 1/2"  
MAX DROP 10"



SWHD-6080F SEG TOP

LEG  
7'-1 1/2"  
MAX DROP 10"



SWHD-60C80F SEG TOP

8'-0 3/4"  
8'-1"  
8'-0"  
7'-11 1/2"  
81"

Note: Other panel combinations and swings may be specified.  
3 & 4 Panel Radius doors are available, contact JELD-WEN for assistance.  
Sector Top doors have multi-point hardware.

SCALE: 1/4" = 1'

**9-0 SINGLE SWING IN-SWING PATIO DOORS**

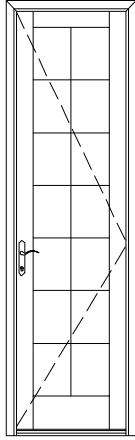
**UNIT**  
**RSO**  
**FRAME**  
**GLASS**

2'-8 1/2"  
2'-6 3/4"  
2'-6"  
20"

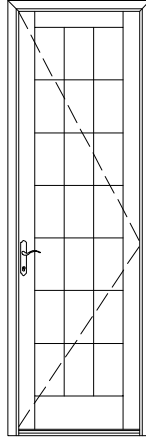
2'-11 1/2"  
2'-9 3/4"  
2'-9"  
23"

3'-2 1/2"  
3'-0 3/4"  
3'-0"  
26"

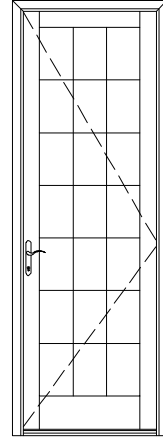
9'-0 3/4"  
9'-0"  
8'-11 1/2"  
93"



SWHD-2690



SWHD-2990



SWHD-3090

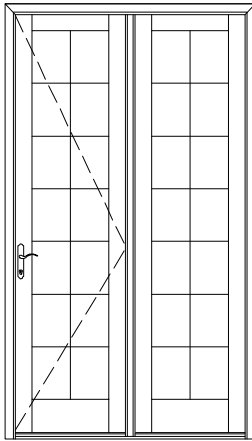
**UNIT**  
**RSO**  
**FRAME**  
**GLASS**

5'-2 1/2"  
5'-0 3/4"  
5'-0"  
20"

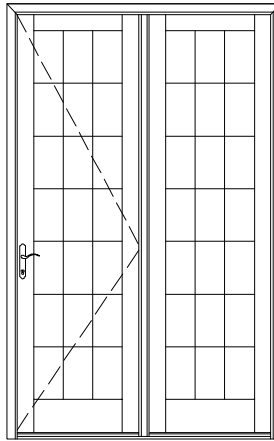
5'-8 1/2"  
5'-6 3/4"  
5'-6"  
23"

6'-2 1/2"  
6'-0 3/4"  
6'-0"  
26"

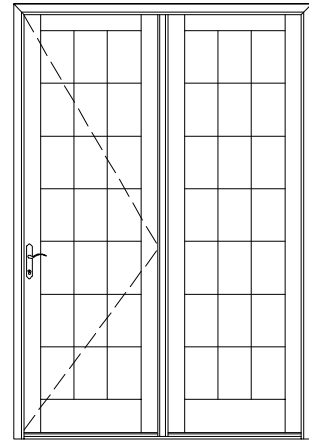
9'-0 3/4"  
9'-0"  
8'-11 1/2"  
93"



SWHD-5090



SWHD-5690



SWHD-6090

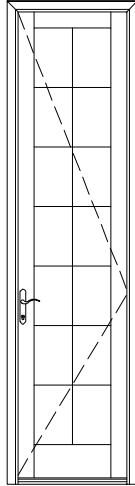
**Note:** Other panel combinations and swings may be specified.  
9-0 & 10-0 high doors are not available in Out-Swing.

SCALE: 1/4" = 1'

**10-0 SINGLE SWING IN-SWING PATIO DOORS**

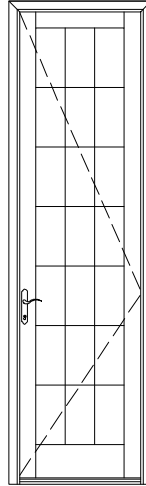
**UNIT**  
**RSO**  
**FRAME**  
**GLASS**

2'-8 1/2"  
2'-6 3/4"  
2'-6"  
20"



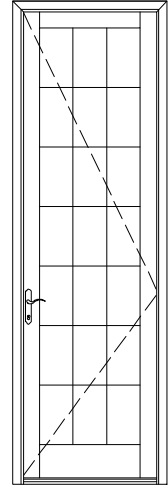
SWHD-26100

2'-11 1/2"  
2'-9 3/4"  
2'-9"  
23"



SWHD-29100

3'-2 1/2"  
3'-0 3/4"  
3'-0"  
26"

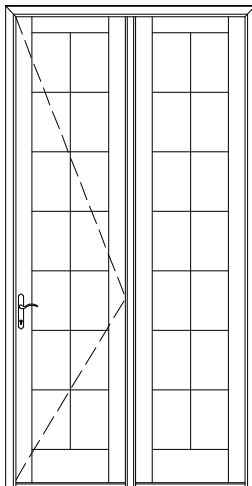


SWHD-30100

10'-0 3/4"  
10'-0"  
9'-11 1/2"  
105"

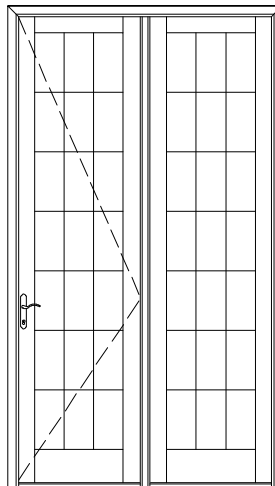
**UNIT**  
**RSO**  
**FRAME**  
**GLASS**

5'-2 1/2"  
5'-0 3/4"  
5'-0"  
20"



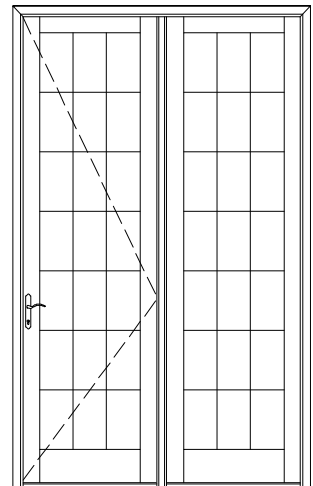
SWHD-50100

5'-8 1/2"  
5'-6 3/4"  
5'-6"  
23"



SWHD-56100

6'-2 1/2"  
6'-0 3/4"  
6'-0"  
26"



SWHD-60100

10'-0 3/4"  
10'-0"  
9'-11 1/2"  
105"

**Note:** Other panel combinations and swings may be specified.  
9-0 & 10-0 high doors are not available in Out-Swing.

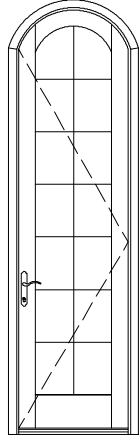
SCALE: 1/4" = 1'



**9-0 SINGLE SWING IN-SWING SECTOR TOP PATIO DOORS**

**UNIT** 2'-8 1/2"  
**RSO** 2'-6 3/4"  
**FRAME** 2'-6"  
**GLASS** 20"

LEG  
8'-0 1/2"  
MAX DROP 11"

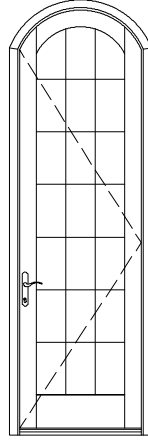


SWHD-2690 SEG TOP

9'-0 3/4"  
9'-0"  
8'-11 1/2"  
93"

2'-11 1/2"  
2'-9 3/4"  
2'-9"  
23"

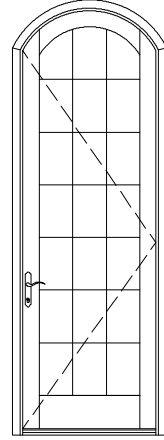
LEG  
8'-0 1/2"  
MAX DROP 11"



SWHD-2990 SEG TOP

3'-2 1/2"  
3'-0 3/4"  
3'-0"  
26"

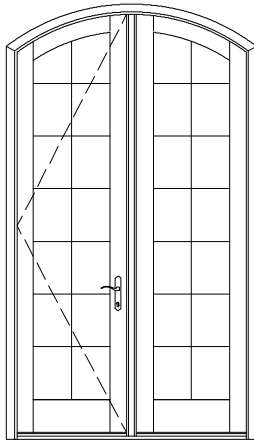
LEG  
8'-0 1/2"  
MAX DROP 11"



SWHD-3090 SEG TOP

**UNIT** 5'-2 1/2"  
**RSO** 5'-0 3/4"  
**FRAME** 5'-0"  
**GLASS** 20"

LEG  
8'-1 1/2"  
MAX DROP 10"

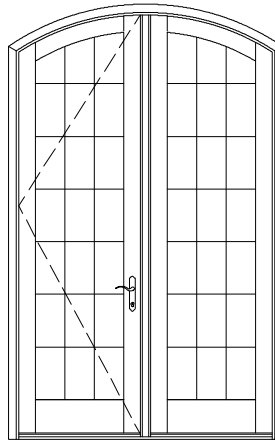


SWHD-5090 SEG TOP

9'-0 3/4"  
9'-0"  
8'-11 1/2"  
93"

5'-8 1/2"  
5'-6 3/4"  
5'-6"  
23"

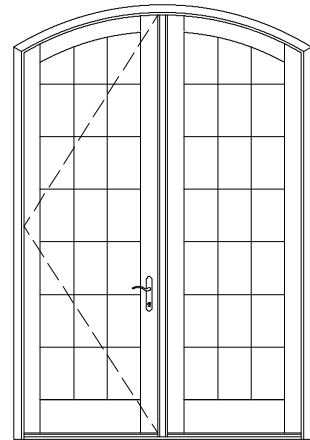
LEG  
8'-1 1/2"  
MAX DROP 10"



SWHD-5690 SEG TOP

6'-2 1/2"  
6'-0 3/4"  
6'-0"  
26"

LEG  
8'-1 1/2"  
MAX DROP 10"



SWHD-6090 SEG TOP

**Note:** Other panel combinations and swings may be specified.  
9-0 & 10-0 high doors are not available in Out-Swing.

SCALE: 1/4" = 1'

**10-0 SINGLE SWING IN-SWING SECTOR TOP PATIO DOORS**

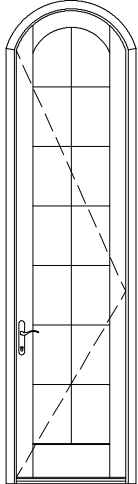
**UNIT**  
**RSO**  
**FRAME**  
**GLASS**

2'-8 1/2"  
2'-6 3/4"  
2'-6"  
20"

2'-11 1/2"  
2'-9 3/4"  
2'-9"  
23"

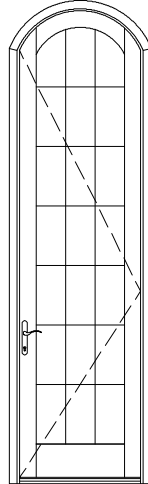
3'-2 1/2"  
3'-0 3/4"  
3'-0"  
26"

LEG  
9'-0 1/2"  
MAX DROP 11"



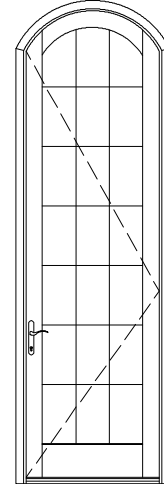
SWHD-26100 SEG TOP

LEG  
9'-0 1/2"  
MAX DROP 11"



SWHD-29100 SEG TOP

LEG  
9'-0 1/2"  
MAX DROP 11"



SWHD-30100 SEG TOP

10'-0 3/4"  
10'-0"  
9'-11 1/2"  
105"

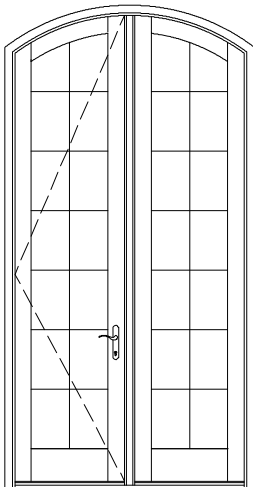
**UNIT**  
**RSO**  
**FRAME**  
**GLASS**

5'-2 1/2"  
5'-0 3/4"  
5'-0"  
20"

5'-8 1/2"  
5'-6 3/4"  
5'-6"  
23"

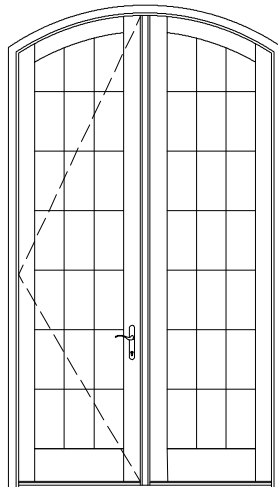
6'-2 1/2"  
6'-0 3/4"  
6'-0"  
26"

LEG  
9'-1 1/2"  
MAX DROP 10"



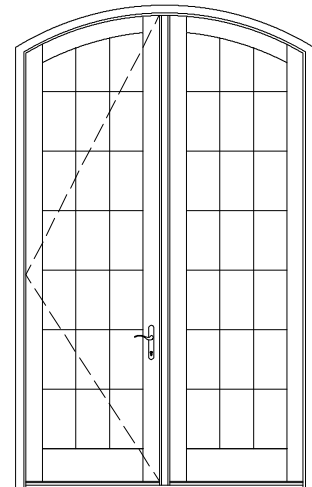
SWHD-50100 SEG TOP

LEG  
9'-1 1/2"  
MAX DROP 10"



SWHD-56100 SEG TOP

LEG  
9'-1 1/2"  
MAX DROP 10"



SWHD-60100 SEG TOP

10'-0 3/4"  
10'-0"  
9'-11 1/2"  
105"

**Note:** Other panel combinations and swings may be specified.  
9-0 & 10-0 high doors are not available in Out-Swing.

SCALE: 1/4" = 1'

**9-0 & 10-0 TALL FRENCH IN-SWING PATIO DOORS**

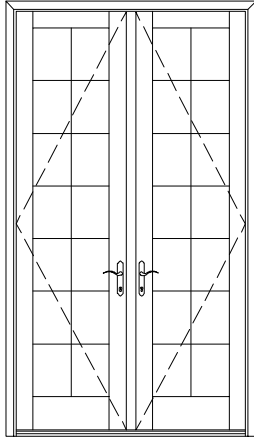
**UNIT**  
**RSO**  
**FRAME**  
**GLASS**

5'-2 1/2"  
5'-0 3/4"  
5'-0"  
20"

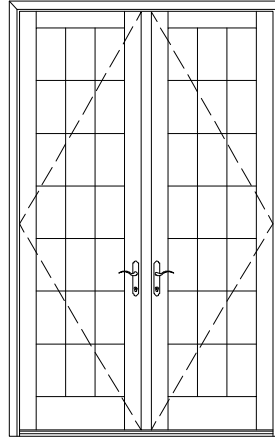
5'-8 1/2"  
5'-6 3/4"  
5'-6"  
23"

6'-2 1/2"  
6'-0 3/4"  
6'-0"  
26"

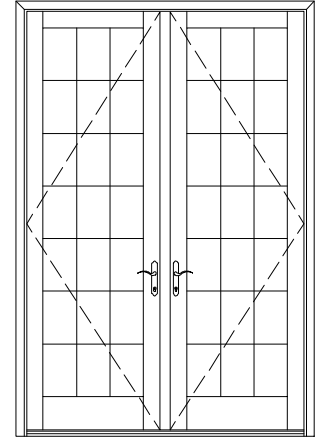
9'-0 3/4"  
9'-0"  
8'-11 1/2"  
93"



SWHD-5090F



SWHD-5690F



SWHD-6090F

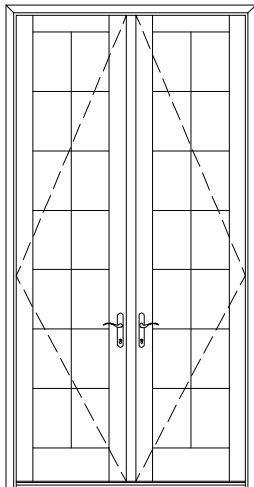
**UNIT**  
**RSO**  
**FRAME**  
**GLASS**

5'-2 1/2"  
5'-0 3/4"  
5'-0"  
20"

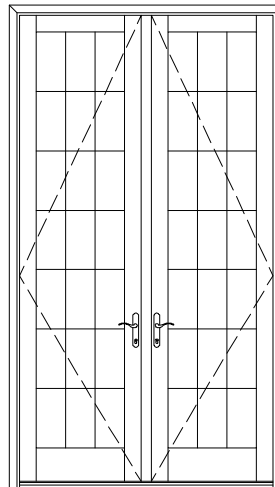
5'-8 1/2"  
5'-6 3/4"  
5'-6"  
23"

6'-2 1/2"  
6'-0 3/4"  
6'-0"  
26"

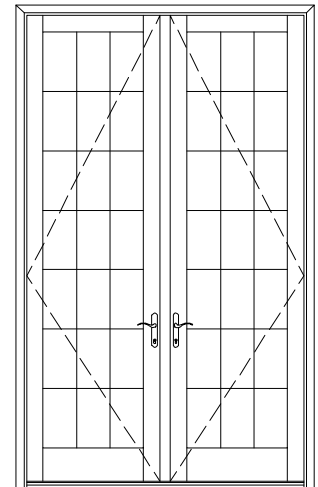
10'-0 3/4"  
10'-0"  
9'-11 1/2"  
105"



SWHD-50100F



SWHD-56100F



SWHD-60100F

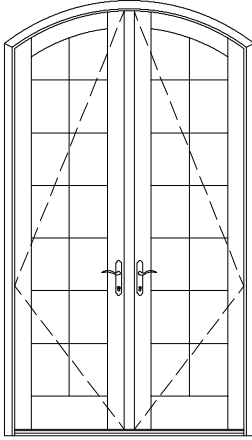
**Note:** Other panel combinations and swings may be specified.  
9-0 & 10-0 high doors are not available in Out-Swing.

SCALE: 1/4" = 1'

**9-0 & 10-0 TALL FRENCH IN-SWING SECTOR TOP PATIO DOORS**

**UNIT** 5'-2 1/2"  
**RSO** 5'-0 3/4"  
**FRAME** 5'-0"  
**GLASS** 20"

**LEG** 8'-1 1/2"  
**MAX DROP** 10"

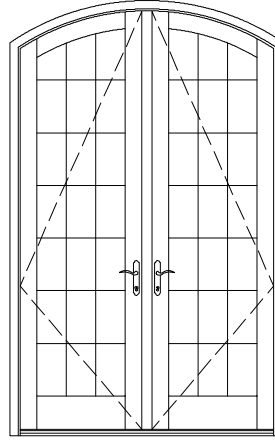


SWHD-5090F SEG TOP

9'-0 3/4"  
9'-0"  
8'-11 1/2"  
93"

5'-8 1/2"  
5'-6 3/4"  
5'-6"  
23"

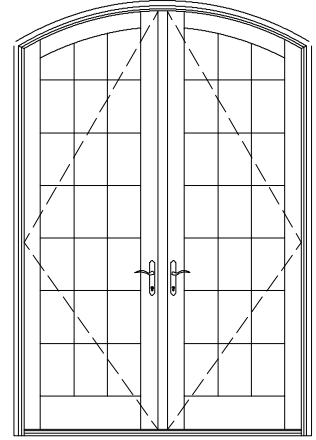
**LEG** 8'-1 1/2"  
**MAX DROP** 10"



SWHD-5690F SEG TOP

6'-2 1/2"  
6'-0 3/4"  
6'-0"  
26"

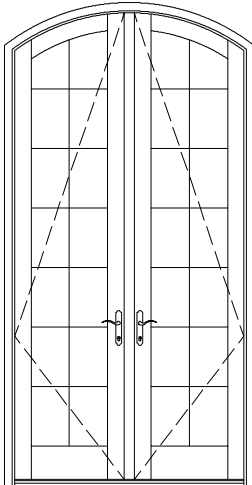
**LEG** 8'-1 1/2"  
**MAX DROP** 10"



SWHD-6090F SEG TOP

**UNIT** 5'-0"  
**RSO** 5'-0 3/4"  
**FRAME** 5'-0"  
**GLASS** 20"

**LEG** 9'-1 1/2"  
**MAX DROP** 10"

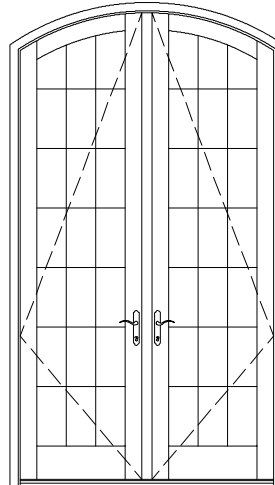


SWHD-50100F SEG TOP

10'-0 3/4"  
10'-0"  
9'-11 1/2"  
105"

5'-6"  
5'-6 3/4"  
5'-6"  
23"

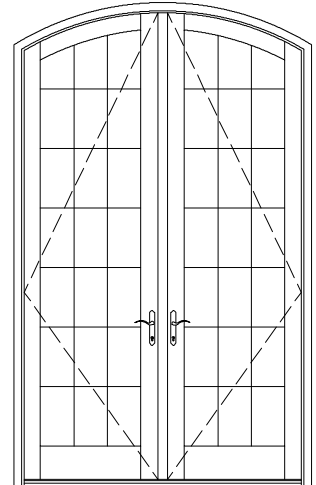
**LEG** 9'-1 1/2"  
**MAX DROP** 10"



SWHD-56100F SEG TOP

6'-0"  
6'-0 3/4"  
6'-0"  
26"

**LEG** 9'-1 1/2"  
**MAX DROP** 10"

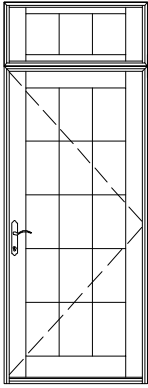


SWHD-60100F SEG TOP

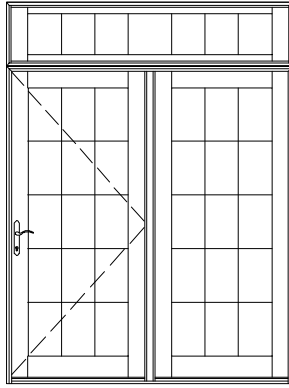
**Note:** Other panel combinations and swings may be specified.  
9-0 & 10-0 high doors are not available in Out-Swing.

SCALE: 1/4" = 1'

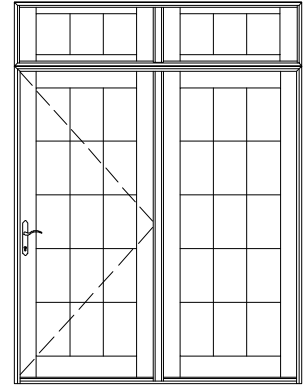
**SWING DOOR TRANSOM ALIGNMENT GUIDE**



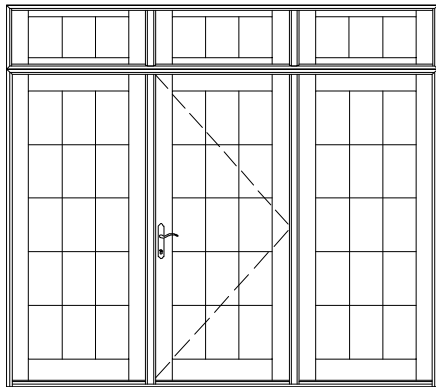
ONE PANEL TRANSOM



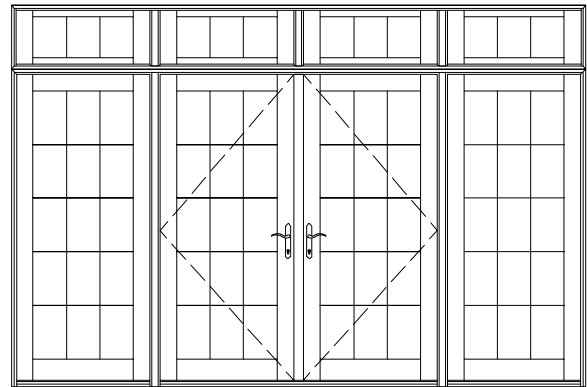
ONE PANEL TRANSOM



TWO PANEL TRANSOM



THREE PANEL TRANSOM



FOUR PANEL TRANSOM

SCALE: 1/4" = 1'

**SWING DOOR TRANSOMS**

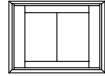
**UNIT** 2'-2 1/2"  
**RO** 2'-0 3/4"  
**FRAME** 2'-0"  
**GLASS** 16 3/4"

1'-6 1/16"  
1'-4 1/2"  
1'-4"  
11 1/16"



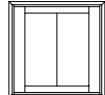
SWHD-2014T-1

1'-8 1/16"  
1'-6 1/2"  
1'-6"  
13 1/16"



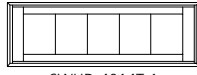
SWHD-2016T-1

2'-2 1/16"  
2'-0 1/2"  
2'-0"  
19 1/16"

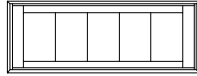


SWHD-2020T-1

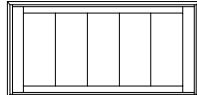
4'-2 1/2"  
4'-0 3/4"  
4'-0"  
40 3/4"



SWHD-4014T-1



SWHD-4016T-1

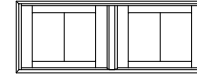


SWHD-4020T-1

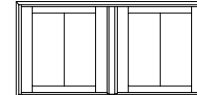
4'-2 1/2"  
4'-0 3/4"  
4'-0"  
16 3/4"



SWHD-4014T-2



SWHD-4016T-2

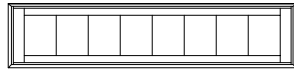


SWHD-4020T-2

**UNIT**  
**RO**  
**FRAME**  
**GLASS**

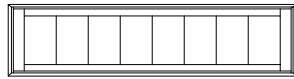
6'-2 1/2"  
6'-0 3/4"  
6'-0"  
62"

1'-6 1/16"  
1'-4 1/2"  
1'-4"  
11 1/16"



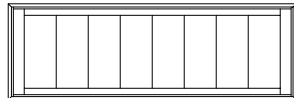
SWHD-6014T-1

1'-8 1/16"  
1'-6 1/2"  
1'-6"  
13 1/16"



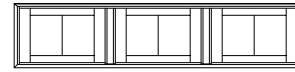
SWHD-6016T-1

2'-2 1/16"  
2'-0 1/2"  
2'-0"  
19 1/16"

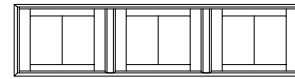


SWHD-6020T-1

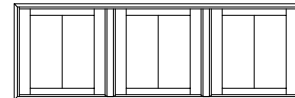
6'-2 1/2"  
6'-0 3/4"  
6'-0"  
16 3/4"



SWHD-6014T-3



SWHD-6016T-3

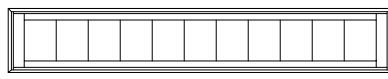


SWHD-6020T-3

**UNIT**  
**RO**  
**FRAME**  
**GLASS**

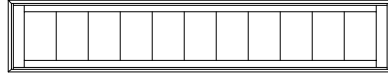
8'-2 1/2"  
8'-0 3/4"  
8'-0"  
86"

1'-6 1/16"  
1'-4 1/2"  
1'-4"  
11 1/16"



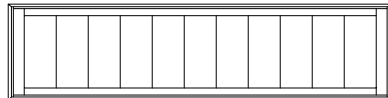
SWHD-8014T-1

1'-8 1/16"  
1'-6 1/2"  
1'-6"  
13 1/16"



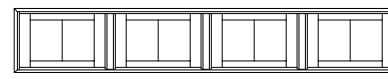
SWHD-8016T-1

2'-2 1/16"  
2'-0 1/2"  
2'-0"  
19 1/16"

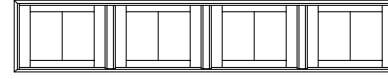


SWHD-8020T-1

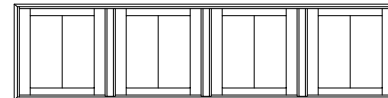
8'-2 1/2"  
8'-0 3/4"  
8'-0"  
16 3/4"



SWHD-8014T-4



SWHD-8016T-4



SWHD-8020T-4

**Note:** Location of sash within the Transom frame matches In-Swing. door panels only, see 14-78 (4 9/16" jamb) or 14-79 (6 9/16" jamb) for transom detail.  
Construction of the unit does not allow sash to be repositioned to match Out-Swing panels.

SCALE: 1/4" = 1'

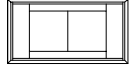
**SWING DOOR TRANSOMS**

**UNIT  
RO  
FRAME  
GLASS**

2'-8 1/2"  
2'-6 3/4"  
2'-6"  
20"

5'-2 1/2"  
5'-0 3/4"  
5'-0"  
50"

1'-6 1/16"  
1'-4 1/2"  
1'-4"  
11 1/16"



SWHD-2614T-1



SWHD-5014T-1

1'-8 1/16"  
1'-6 1/2"  
1'-6"  
13 1/16"

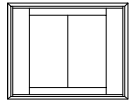


SWHD-2616T-1

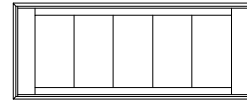


SWHD-5016T-1

2'-2 1/16"  
2'-0 1/2"  
2'-0"  
19 1/16"



SWHD-2620T-1



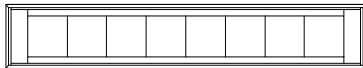
SWHD-5020T-1

**UNIT  
RO  
FRAME  
GLASS**

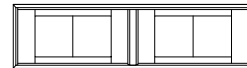
7'-8 1/2"  
7'-6 3/4"  
7'-6"  
80"

5'-2 1/2"  
5'-0 3/4"  
5'-0"  
20"

1'-6 1/16"  
1'-4 1/2"  
1'-4"  
11 1/16"

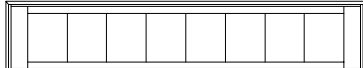


SWHD-7614T-1



SWHD-5014T-2

1'-8 1/16"  
1'-6 1/2"  
1'-6"  
13 1/16"

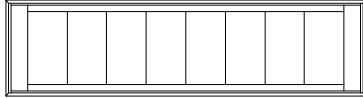


SWHD-7616T-1

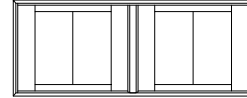


SWHD-5016T-2

2'-2 1/16"  
2'-0 1/2"  
2'-0"  
19 1/16"



SWHD-7620T-1



SWHD-5020T-2

**UNIT  
RO  
FRAME  
GLASS**

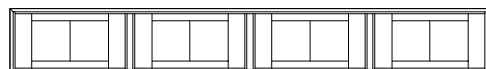
7'-8 1/2"  
7'-6 3/4"  
7'-6"  
20"

10'-2 1/2"  
10'-0 3/4"  
10'-0"  
20"

1'-6 1/16"  
1'-4 1/2"  
1'-4"  
11 1/16"

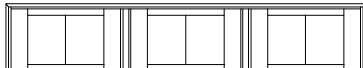


SWHD-7614T-3

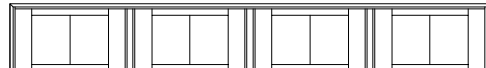


SWHD-10014T-4

1'-8 1/16"  
1'-6 1/2"  
1'-6"  
13 1/16"

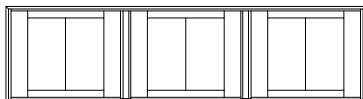


SWHD-7616T-3

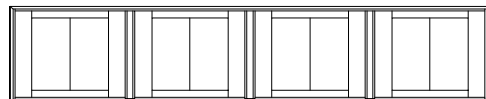


SWHD-10016T-4

2'-2 1/16"  
2'-0 1/2"  
2'-0"  
19 1/16"



SWHD-7620T-3



SWHD-10020T-4

Note: Location of sash within the Transom frame matches In-Swing door panels only, see 14-78 (4 9/16" jamb) or 14-79 (6 9/16" jamb) for transom detail.  
Construction of the unit does not allow sash to be repositioned to match Out-Swing panels.

SCALE: 1/4" = 1'

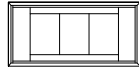
**SWING DOOR TRANSOMS**

**UNIT  
RO  
FRAME  
GLASS**

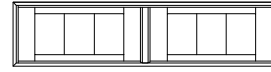
2'-11 1/2"  
2'-9 3/4"  
2'-9"  
23"

5'-8 1/2"  
5'-6 3/4"  
5'-6"  
23"

1'-6 1/16"  
1'-4 1/2"  
1'-4"  
11 1/16"

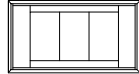


SWHD-2914T-1

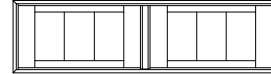


SWHD-5614T-2

1'-8 1/16"  
1'-6 1/2"  
1'-6"  
13 1/16"

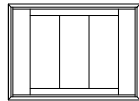


SWHD-2916T-1

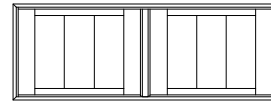


SWHD-5616T-2

2'-2 1/16"  
2'-0 1/2"  
2'-0"  
19 1/16"



SWHD-2920T-1



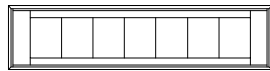
SWHD-5620T-2

**UNIT  
RO  
FRAME  
GLASS**

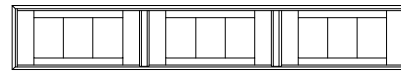
5'-8 1/2"  
5'-6 3/4"  
5'-6"  
56"

8'-5 1/2"  
8'-3 3/4"  
8'-3"  
23"

1'-6 1/16"  
1'-4 1/2"  
1'-4"  
11 1/16"

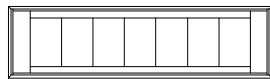


SWHD-5614T-1

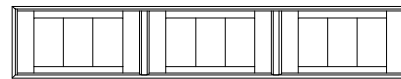


SWHD-8314T-3

1'-8 1/16"  
1'-6 1/2"  
1'-6"  
13 1/16"

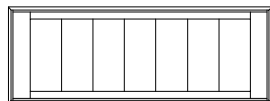


SWHD-5616T-1

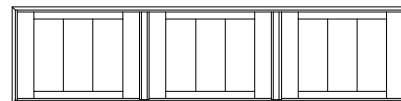


SWHD-8316T-3

2'-2 1/16"  
2'-0 1/2"  
2'-0"  
19 1/16"



SWHD-5620T-1

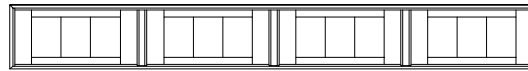


SWHD-8320T-3

**UNIT  
RO  
FRAME  
GLASS**

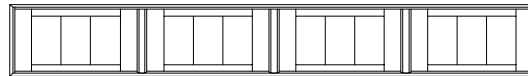
11'-2 1/2"  
11'-0 3/4"  
11'-0"  
23"

1'-6 1/16"  
1'-4 1/2"  
1'-4"  
11 1/16"



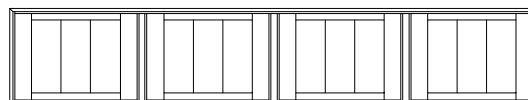
SWHD-11014T-4

1'-8 1/16"  
1'-6 1/2"  
1'-6"  
13 1/16"



SWHD-11016T-4

2'-2 1/16"  
2'-0 1/2"  
2'-0"  
19 1/16"



SWHD-11020T-4

Note: Location of sash within the Transom frame matches In-Swing door panels only, see 14-78 (4 9/16" jamb) or 14-79 (6 9/16" jamb) for transom detail.  
Construction of the unit does not allow sash to be repositioned to match Out-Swing panels.

SCALE: 1/4" = 1'



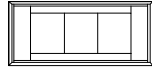
**SWING DOOR TRANSOMS**

**UNIT**  
**RO**  
**FRAME**  
**GLASS**

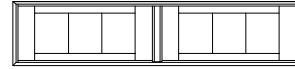
3'-2 1/2"  
3'-0 3/4"  
3'-0"  
26"

6'-2 1/2"  
6'-0 3/4"  
6'-0"  
26"

1'-6 1/16"  
1'-4 1/2"  
1'-4"  
11 1/16"

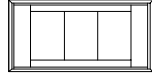


SWHD-3014-1

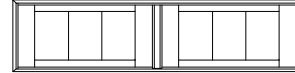


SWHD-6014-2

1'-8 1/16"  
1'-6 1/2"  
1'-6"  
13 1/16"

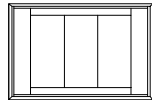


SWHD-3016-1

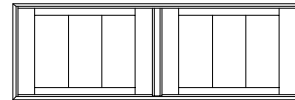


SWHD-6016-2

2'-2 1/16"  
2'-0 1/2"  
2'-0"  
19 1/16"



SWHD-3020-1



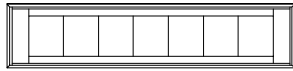
SWHD-6020-2

**UNIT**  
**RO**  
**FRAME**  
**GLASS**

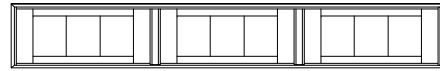
6'-2 1/2"  
6'-0 3/4"  
6'-0"  
62"

9'-2 1/2"  
9'-0 3/4"  
9'-0"  
26"

1'-6 1/16"  
1'-4 1/2"  
1'-4"  
11 1/16"



SWHD-6014-1



SWHD-9014-3

1'-8 1/16"  
1'-6 1/2"  
1'-6"  
13 1/16"

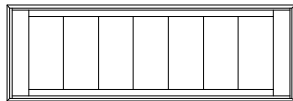


SWHD-6016-1

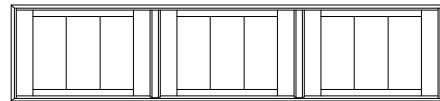


SWHD-9016-3

2'-2 1/16"  
2'-0 1/2"  
2'-0"  
19 1/16"



SWHD-6020-1

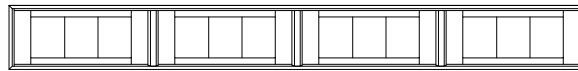


SWHD-9020-3

**UNIT**  
**RO**  
**FRAME**  
**GLASS**

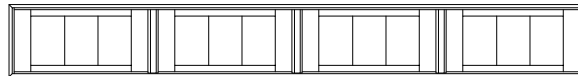
12'-2 1/2"  
12'-0 3/4"  
12'-0"  
26"

1'-6 1/16"  
1'-4 1/2"  
1'-4"  
11 1/16"



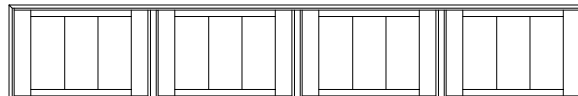
SWHD-12014-4

1'-8 1/16"  
1'-6 1/2"  
1'-6"  
13 1/16"



SWHD-12016-4

2'-2 1/16"  
2'-0 1/2"  
2'-0"  
19 1/16"

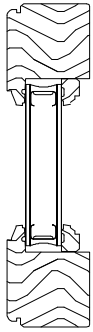


SWHD-12020-4

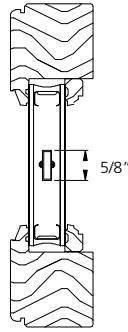
Note: Location of sash within the Transom frame matches In-Swing door panels only, see 14-78 (4 9/16" jamb) or 14-79 (6 9/16" jamb) for transom detail.  
Construction of the unit does not allow sash to be repositioned to match Out-Swing panels.

SCALE: 1/4" = 1'

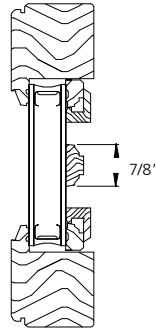
**PANEL GLAZING OPTIONS**



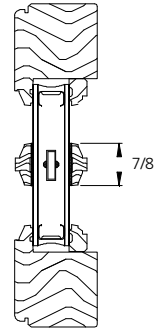
**3/4" INSULATED**



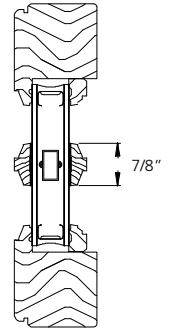
**3/4" INSULATED  
WITH 5/8" AIRSPACE GRILLE**



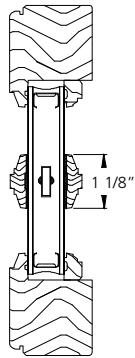
**3/4" INSULATED  
WITH 7/8" FULL SURROUND  
WOOD GRILLE**



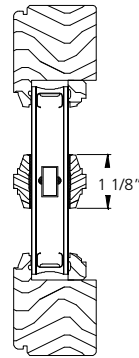
**3/4" INSULATED  
WITH 7/8" SDL  
WITH SHADOW BAR**



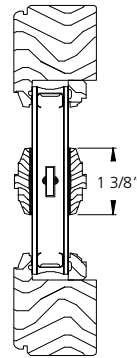
**3/4" INSULATED  
WITH 7/8" SDL  
WITH SILVER SPACER**



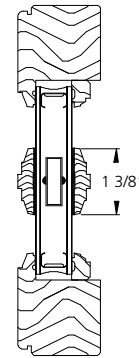
**3/4" INSULATED  
WITH 1 1/8" SDL  
WITH SHADOW BAR**



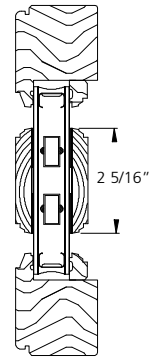
**3/4" INSULATED  
WITH 1 1/8" SDL  
WITH SILVER SPACER**



**3/4" INSULATED  
WITH 1 3/8" SDL  
WITH SHADOW BAR**



**3/4" INSULATED  
WITH 1 3/8" SDL  
WITH SILVER SPACER**



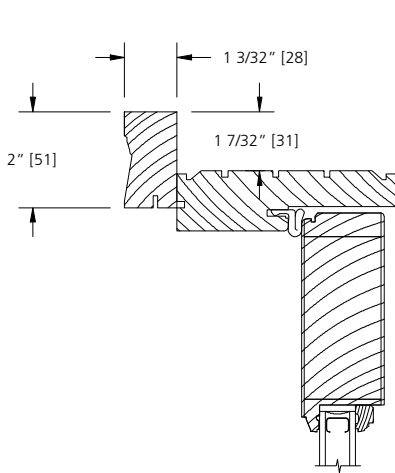
**3/4" INSULATED  
WITH 2 5/16" SIMULATED  
CHECK RAIL WITH  
SILVER SPACER BARS  
(SHADOW BARS  
ALSO AVAILABLE)**

**NOTE:** SDL not available on textured glass.

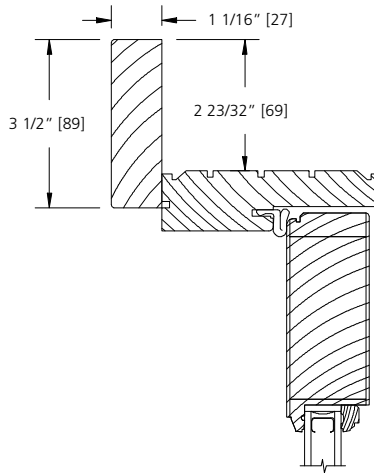
SCALE 3" = 1'

**TRIM OPTIONS  
IN-SWING PATIO DOORS**

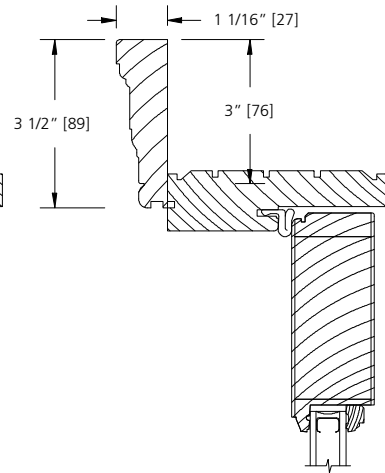
**EXTERIOR TRIM**



**BRICKMOULD**



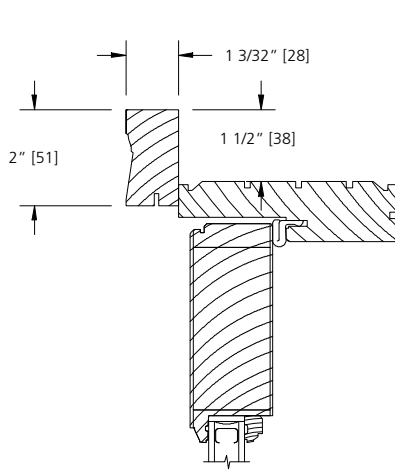
**FLAT CASING**



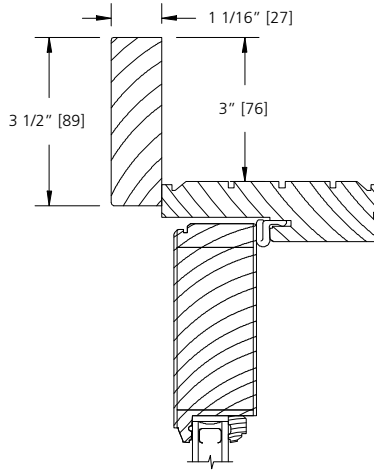
**ADAMS CASING**

**TRIM OPTIONS  
OUT-SWING PATIO DOORS**

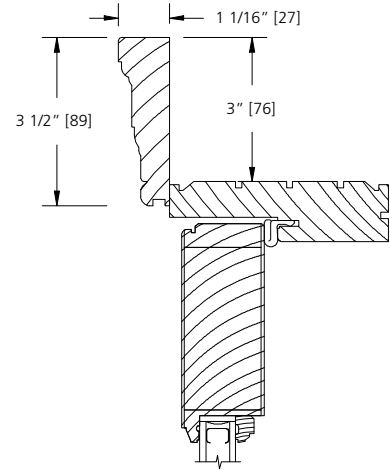
**EXTERIOR TRIM**



**BRICKMOULD**



**FLAT CASING**



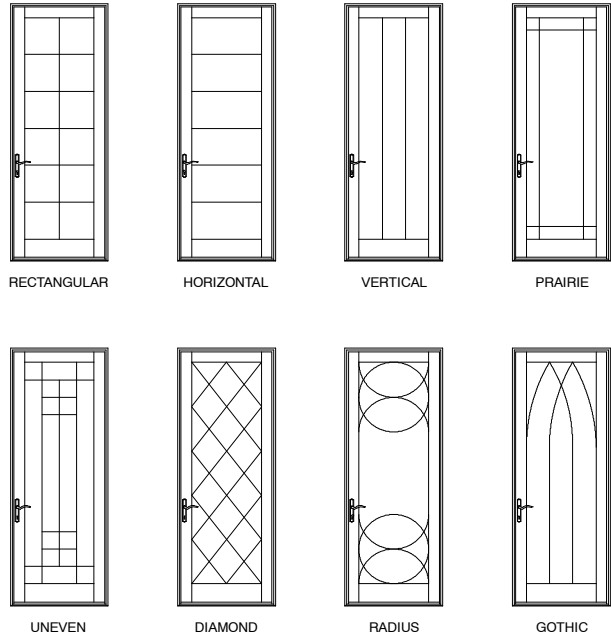
**ADAMS CASING**

**LITE CUT INFORMATION**

Wood In-Swing and Out-Swing patio doors are available in 7/8", 1-1/8" and 1-3/8" widths for SDL (Simulated Divided Lites); 5/8" Flat, 23/32" and 1" Contour GBG (Grilles between the Glass); and 7/8", 1-1/8" and 1-3/8" Full Surround removable grilles. Standard lite cuts are rectangular.

**LITE CUT OPTIONS**

Special lite cut patterns can include a wide variety of straight line and radius patterns. The illustrations shown here represent just a few of the possibilities. Rectangular, horizontal, vertical and Prairie lite patterns are available in all standard size wood swinging patio doors. Uneven, diamond, radius and Gothic lite cuts are available, subject to approval. Approvals are based on the ability to fulfill the design requirement while maintaining the construction integrity of the finished product.



**BAR ALIGNMENT**

Alignment of divided lite muntin bars from one product to the next is often required by fine architectural design. Wood grilles, GBG's, and Simulated Divided Lites may be specified with muntin bars aligned.



**GRILLES & SDL LITE PATTERN**

**PRIMED/NATURAL SWING DOORS - Standard Lite Patterns**

Applies to all Wood Grilles, Airspace Grilles, and SDL (Simulated Divided Lite)

**SINGLE SWING DOORS**

6-8 HEIGHT		6-11 HEIGHT		7-3 HEIGHT		8-0 HEIGHT	
UNIT SIZE	STANDARD LITE PATTERN	UNIT SIZE	STANDARD LITE PATTERN	UNIT SIZE	STANDARD LITE PATTERN	UNIT SIZE	STANDARD LITE PATTERN
SWHD 2668	2W x 5H	SWHD 26611	2W x 5H	SWHD 2673	2W x 5H	SWHD 2680	2W x 6H
SWHD 5068	2W x 5H	SWHD 50611	2W x 5H	SWHD 5073	2W x 5H	SWHD 5080	2W x 6H
SWHD 7668	2W x 5H	SWHD 76611	2W x 5H	SWHD 7673	2W x 5H	SWHD 7680	2W x 6H
SWHD 2968	3W x 5H	SWHD 29611	3W x 5H	SWHD 2973	3W x 5H	SWHD 2980	3W x 6H
SWHD 5668	3W x 5H	SWHD 56611	3W x 5H	SWHD 5673	3W x 5H	SWHD 5680	3W x 6H
SWHD 8368	3W x 5H	SWHD 83611	3W x 5H	SWHD 8373	3W x 5H	SWHD 8380	3W x 6H
SWHD 3068	3W x 5H	SWHD 30611	3W x 5H	SWHD 3073	3W x 5H	SWHD 3080	3W x 6H
SWHD 6068	3W x 5H	SWHD 60611	3W x 5H	SWHD 6073	3W x 5H	SWHD 6080	3W x 6H
SWHD 9068	3W x 5H	SWHD 90611	3W x 5H	SWHD 9073	3W x 5H	SWHD 9080	3W x 6H

**FRENCH SWING DOORS**

6-8 HEIGHT		6-11 HEIGHT		7-3 HEIGHT		8-0 HEIGHT	
UNIT SIZE	STANDARD LITE PATTERN	UNIT SIZE	STANDARD LITE PATTERN	UNIT SIZE	STANDARD LITE PATTERN	UNIT SIZE	STANDARD LITE PATTERN
SWHD 4068F	2W x 5H	SWHD 40611F	2W x 5H	SWHD 4073F	2W x 5H	SWHD 4080F	2W x 6H
SWHD 5068F	2W x 5H	SWHD 50611F	2W x 5H	SWHD 5073F	2W x 5H	SWHD 5080F	2W x 6H
SWHD 5668F	3W x 5H	SWHD 56611F	3W x 5H	SWHD 5673F	3W x 5H	SWHD 5680F	3W x 6H
SWHD 6068F	3W x 5H	SWHD 60611F	3W x 5H	SWHD 6073F	3W x 5H	SWHD 6080F	3W x 6H

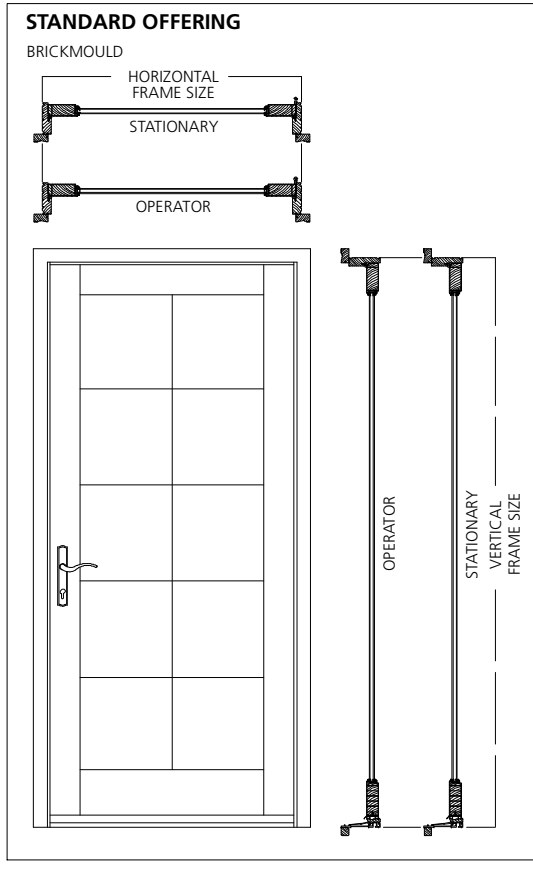
**SECTOR TOP SWING DOORS**

6-8 HEIGHT		6-11 HEIGHT		7-3 HEIGHT		8-0 HEIGHT	
UNIT SIZE	STANDARD LITE PATTERN	UNIT SIZE	STANDARD LITE PATTERN	UNIT SIZE	STANDARD LITE PATTERN	UNIT SIZE	STANDARD LITE PATTERN
SWHD 2668	2W x 5H	SWHD 26611	2W x 5H	SWHD 2673	2W x 5H	SWHD 2680	2W x 6H
SWHD 5068	2W x 5H	SWHD 50611	2W x 5H	SWHD 5073	2W x 5H	SWHD 5080	2W x 6H
SWHD 2968	3W x 5H	SWHD 29611	3W x 5H	SWHD 2973	3W x 5H	SWHD 2980	3W x 6H
SWHD 5668	3W x 5H	SWHD 56611	3W x 5H	SWHD 5673	3W x 5H	SWHD 5080	3W x 6H
SWHD 3068 COM	3W x 5H	SWHD 30611 COM	3W x 5H	SWHD 3073 COM	3W x 5H	SWHD 3080 COM	3W x 6H
SWHD 6068 COM	3W x 5H	SWHD 60611 COM	3W x 5H	SWHD 6073 COM	3W x 5H	SWHD 6080 COM	3W x 6H
SWHD 3068	3W x 5H	SWHD 30611	3W x 5H	SWHD 3073	3W x 5H	SWHD 3080	3W x 6H
SWHD 6068	3W x 5H	SWHD 60611	3W x 5H	SWHD 6073	3W x 5H	SWHD 6080	3W x 6H
SWHD 4068F	2W x 5H	SWHD 40611F	2W x 5H	SWHD 4073F	2W x 5H	SWHD 4080F	2W x 6H
SWHD 5068F	2W x 5H	SWHD 50611F	2W x 5H	SWHD 5073F	2W x 5H	SWHD 5080F	2W x 6H
SWHD 5668F	3W x 5H	SWHD 56611F	3W x 5H	SWHD 5673F	3W x 5H	SWHD 5680F	3W x 6H
SWHD 6068F	3W x 5H	SWHD 60611F	3W x 5H	SWHD 6073F	3W x 5H	SWHD 6080F	3W x 6H
SWHD 6068F COM	3W x 5H	SWHD 60611F COM	3W x 5H	SWHD 6073F COM	3W x 5H	SWHD 6080F COM	3W x 6H

CUSTOM LITE PATTERNS ARE AVAILABLE

**NOTE:** LISTED LITE PATTERNS ARE PER DOOR PANEL

**UNIT SIZING, ROUGH OPENINGS & MASONRY OPENINGS:  
IN-SWING PATIO DOORS**



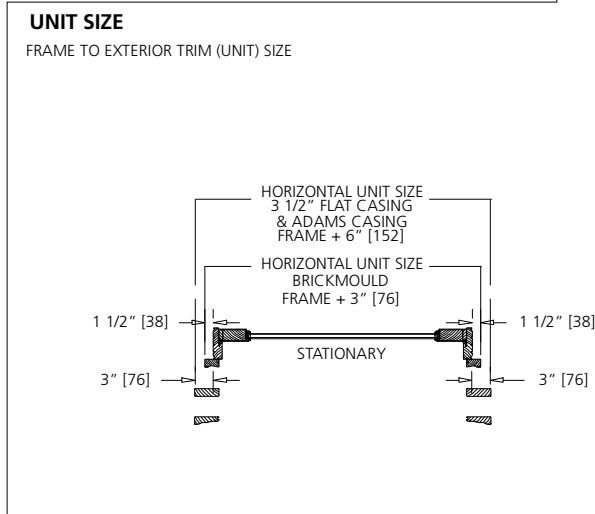
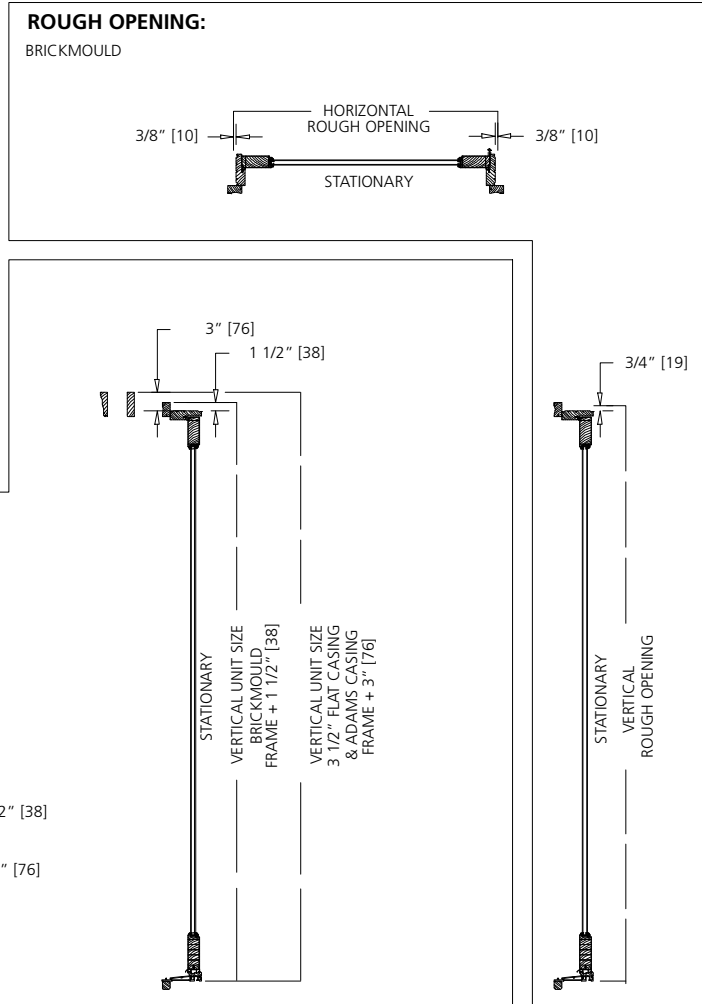
**GENERAL NOTES:**

UNITS WITH NO EXTERIOR TRIM  
FRAME SIZE = UNIT SIZE

UNIT SIZE IS ALWAYS THE  
EXTREME SIZE OF THE DOOR  
WITH OR WITHOUT TRIM

ROUGH OPENING IS ALWAYS 3/4" OVER  
FRAME SIZE OF THE DOOR

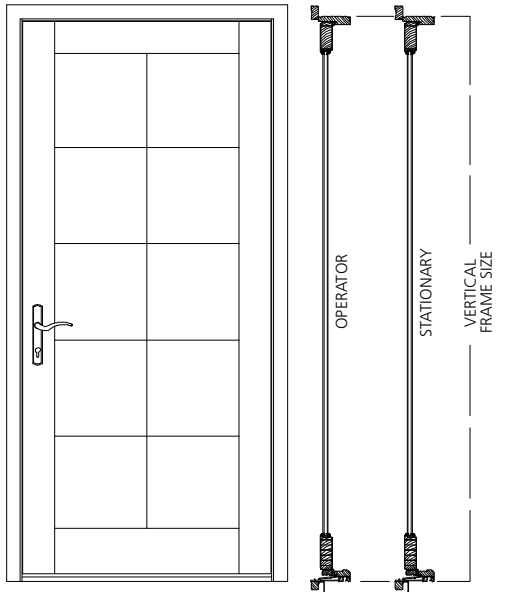
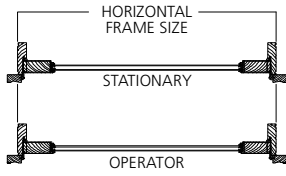
MASONRY OPENING IS ALWAYS 1/2"  
OVER THE UNIT SIZE OF THE DOOR



**UNIT SIZING, ROUGH OPENINGS & MASONRY OPENINGS:  
OUT-SWING PATIO DOORS**

**STANDARD OFFERING**

BRICKMOULD



**GENERAL NOTES:**

UNITS WITH NO EXTERIOR TRIM  
FRAME SIZE = UNIT SIZE

UNIT SIZE IS ALWAYS THE  
EXTREME SIZE OF THE DOOR  
WITH OR WITHOUT TRIM

ROUGH OPENING IS ALWAYS 3/4" OVER  
FRAME SIZE OF THE DOOR

MASONRY OPENING IS ALWAYS 1/2"  
OVER THE UNIT SIZE OF THE DOOR

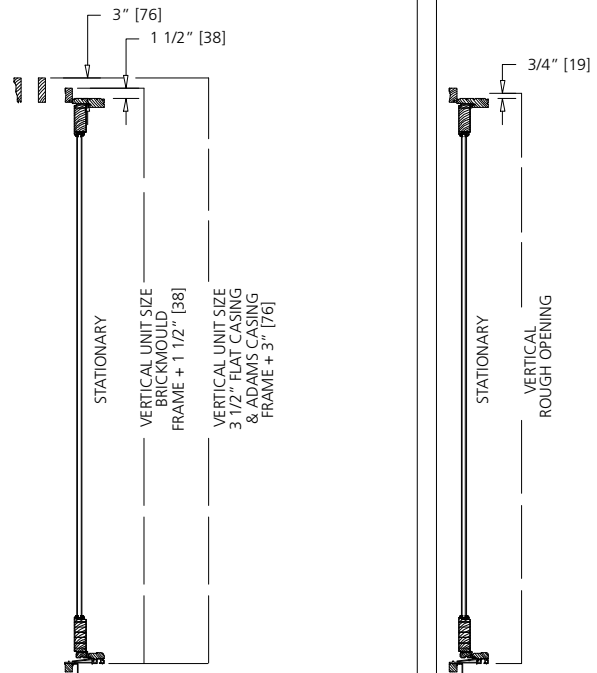
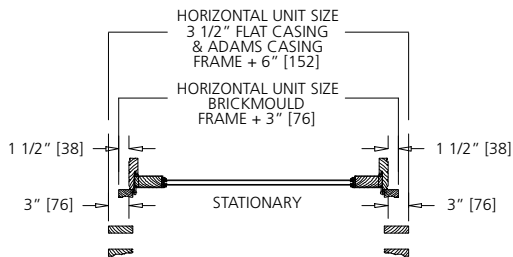
**ROUGH OPENING:**

BRICKMOULD



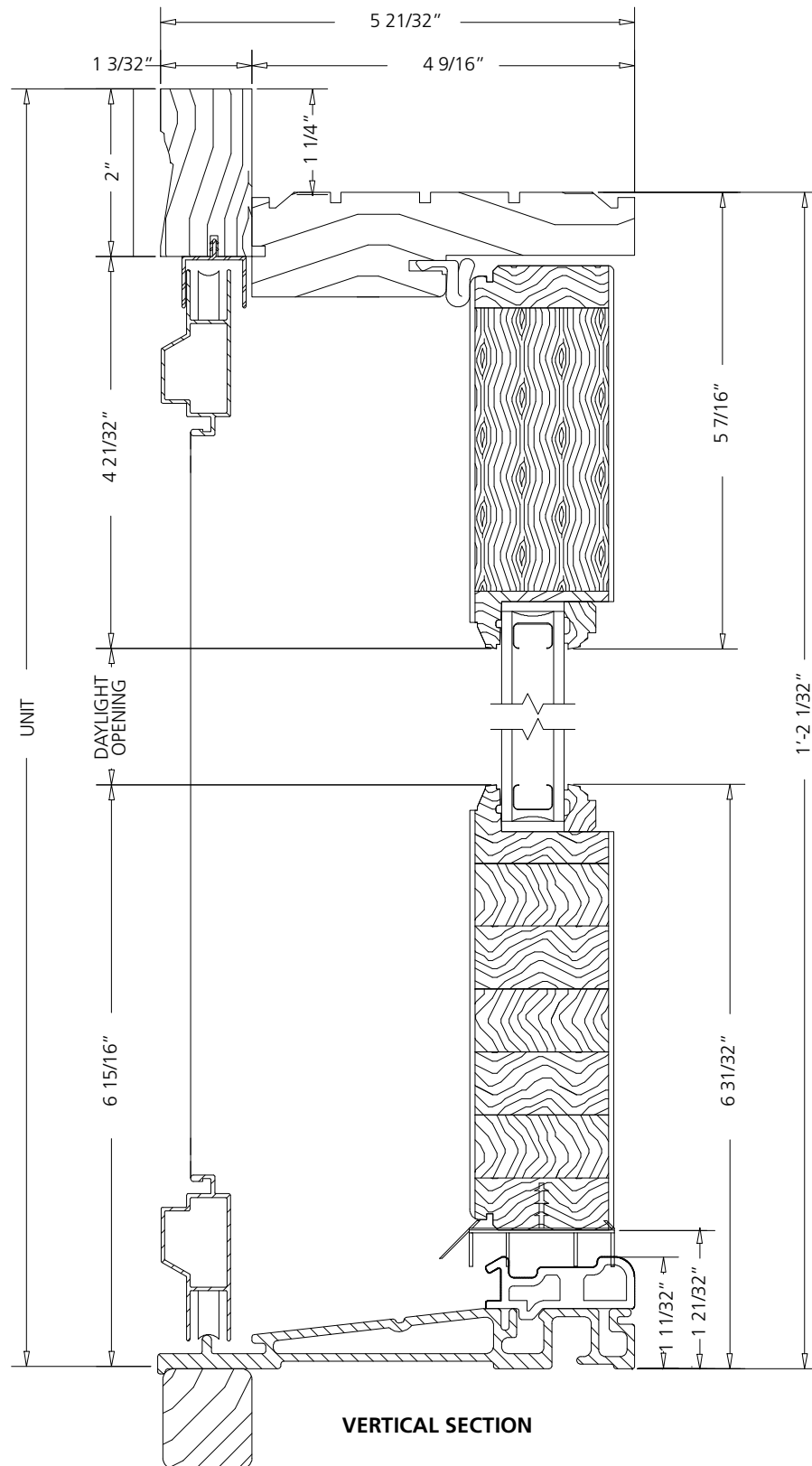
**UNIT SIZE**

FRAME TO EXTERIOR TRIM (UNIT) SIZE





**SINGLE SWING IN-SWING**

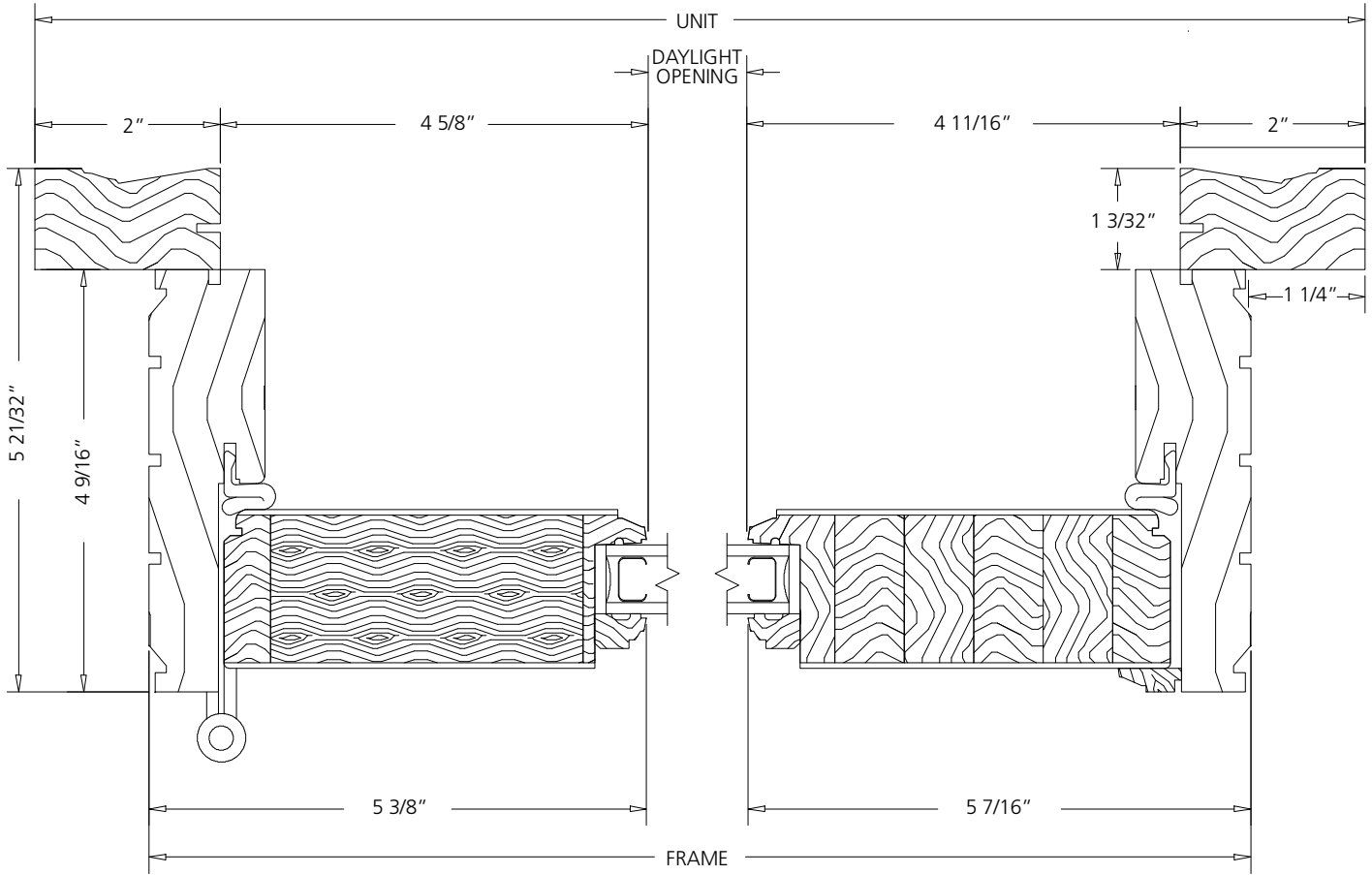


**VERTICAL SECTION**

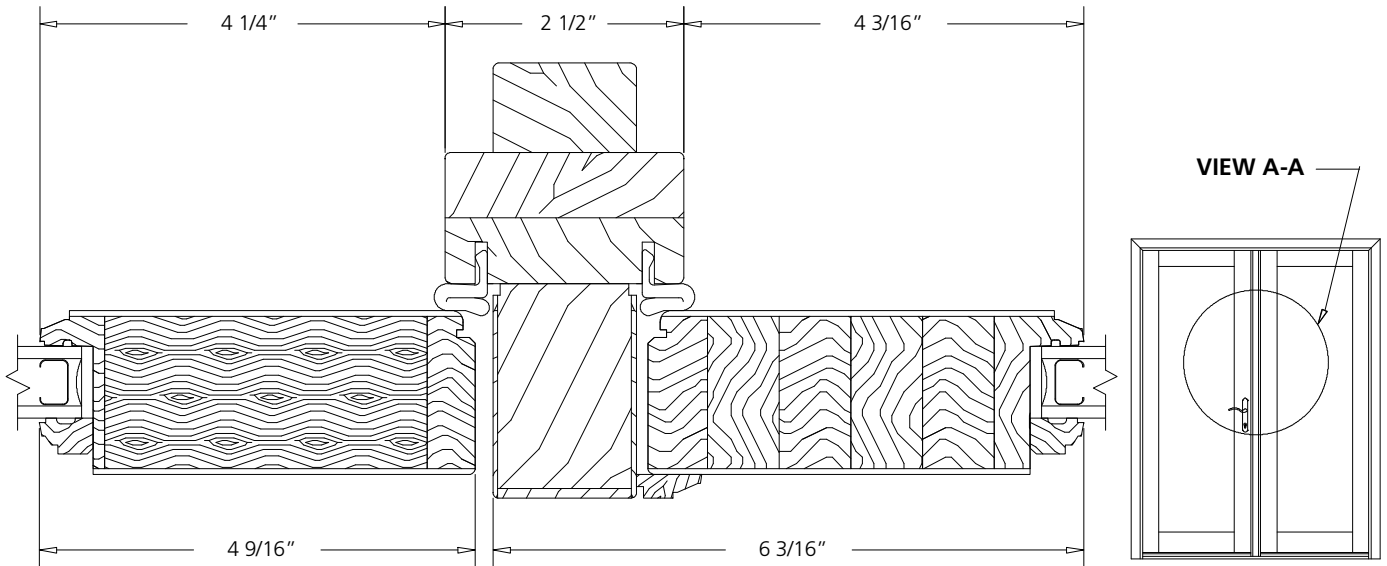
**Note:** Bottom rail shown is for 6'-8" doors. Bottom rail is 3" taller for doors over 6'-8".

SCALE: 6" = 1'

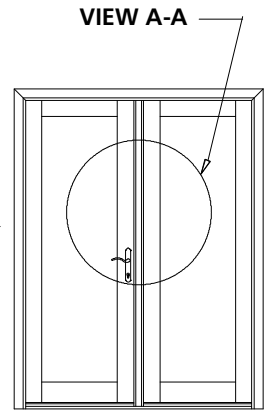
**SINGLE SWING IN-SWING**



**HORIZONTAL SECTION**

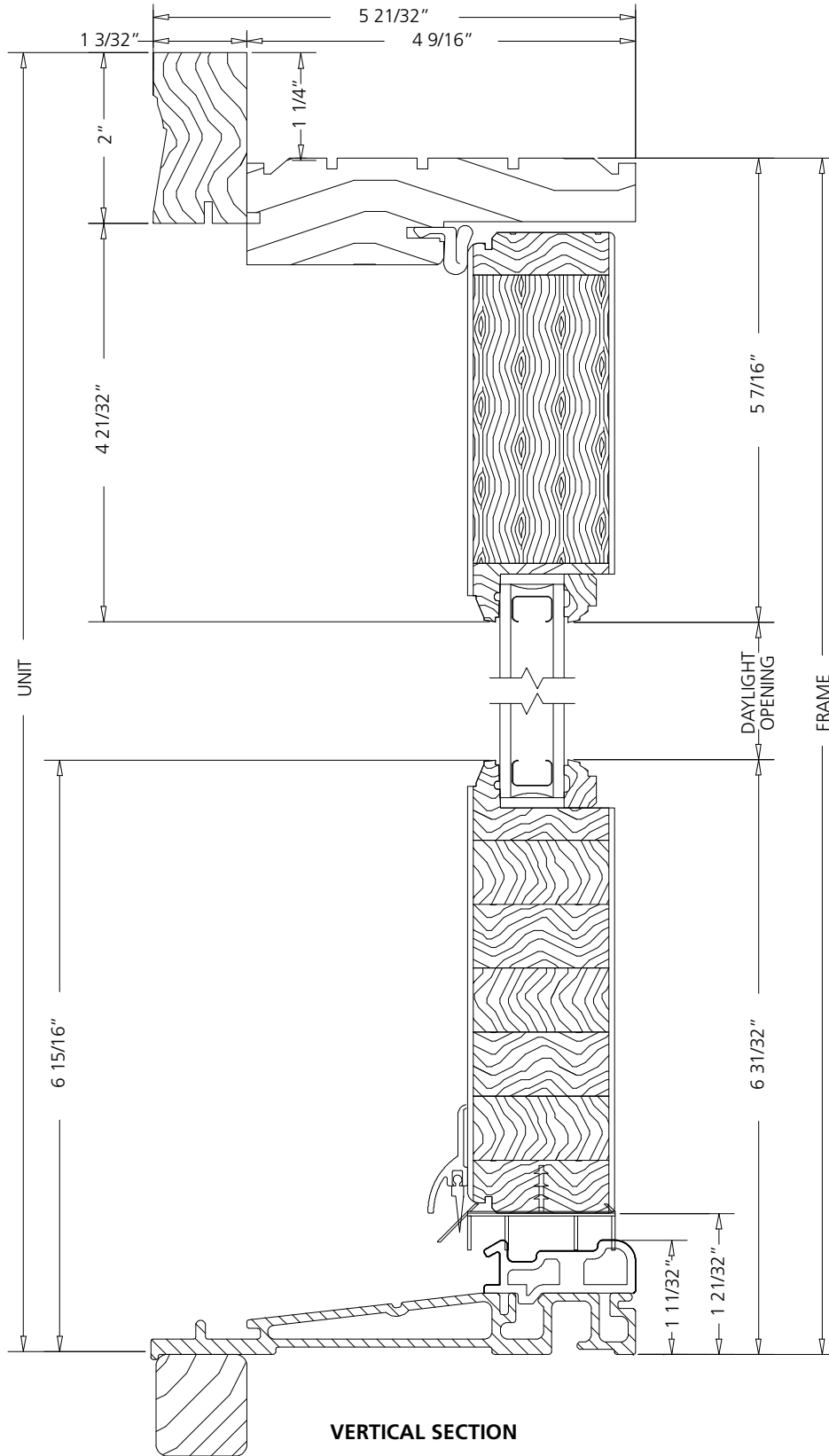


**POST SECTION  
VIEW A-A**



SCALE: 6" = 1'

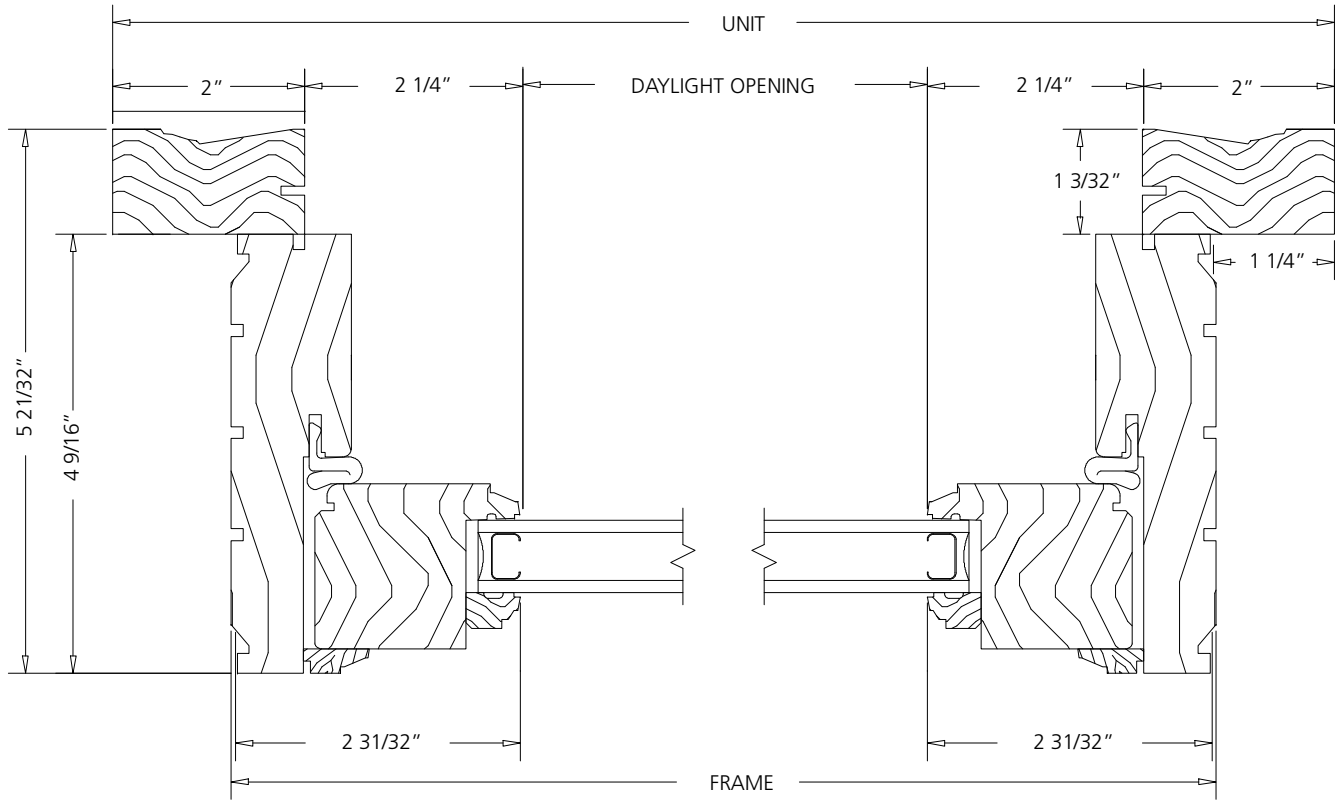
**SIDLIGHT IN-SWING**



**Note:** Bottom rail shown is for 6'-8" doors. Bottom rail is 3" taller for doors over 6'-8".

SCALE: 6" = 1'

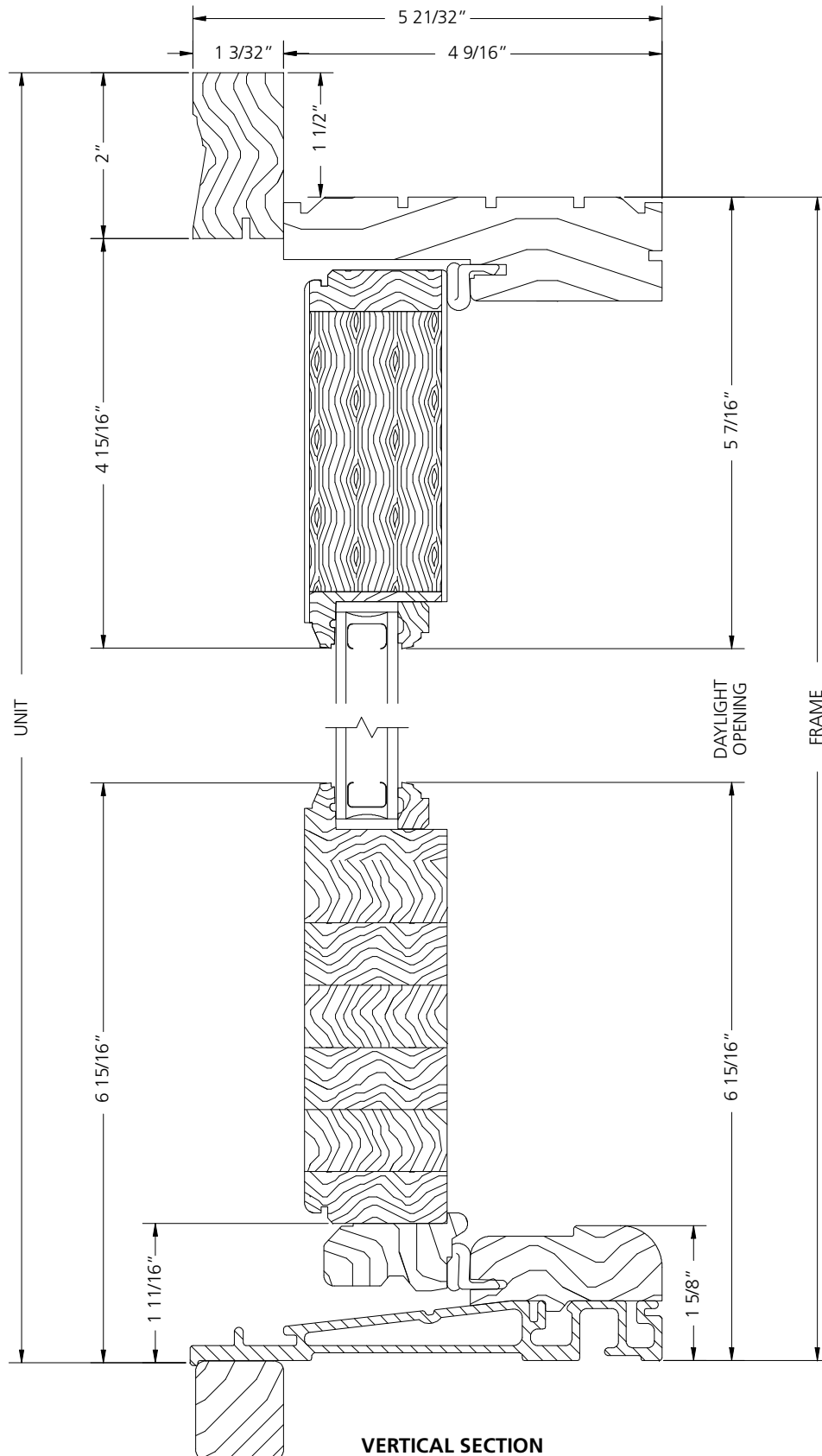
**SIDLIGHT IN-SWING**



**HORIZONTAL SECTION**

SCALE: 6" = 1'

**SINGLE SWING OUT-SWING**

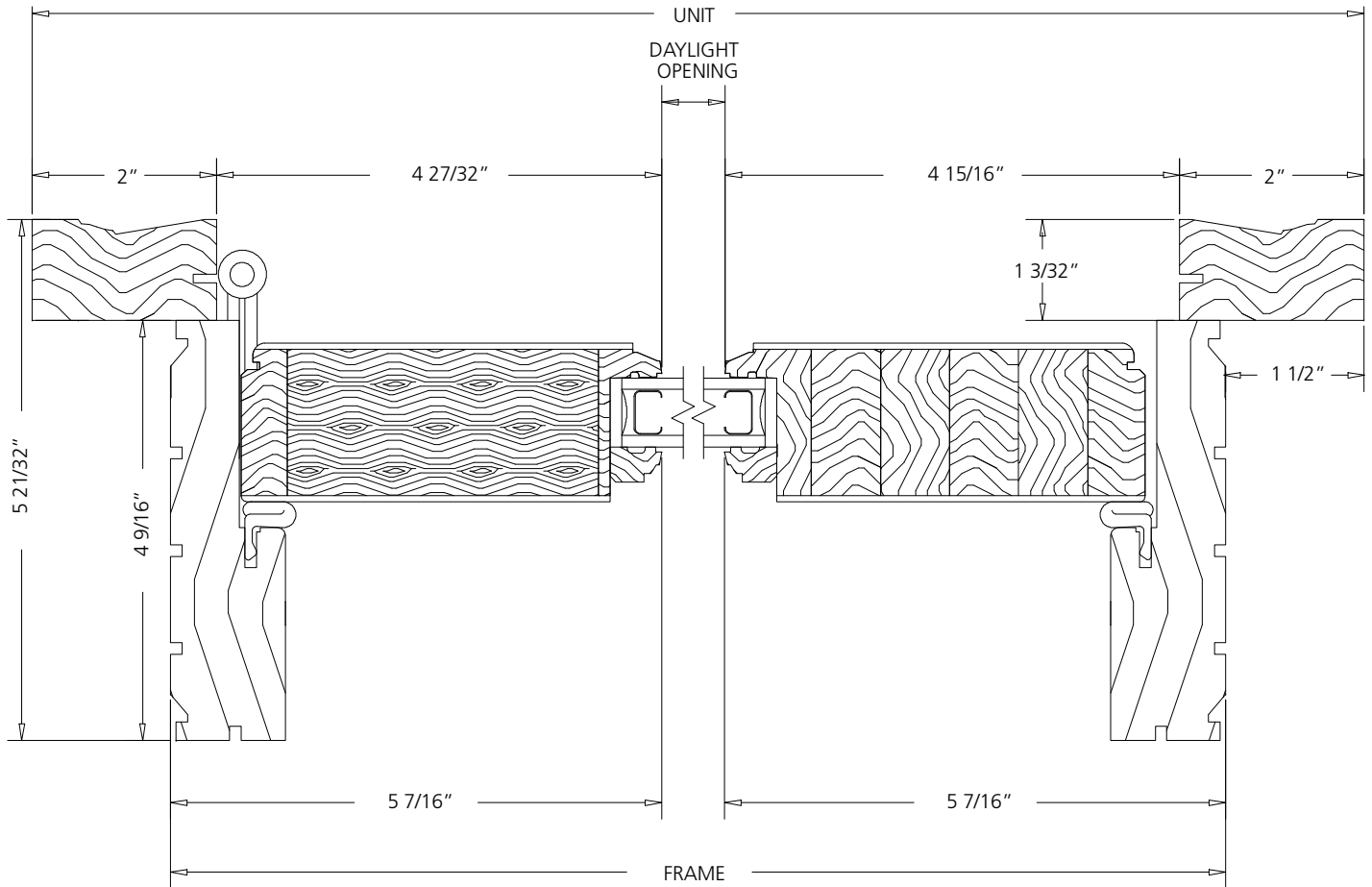


**VERTICAL SECTION**

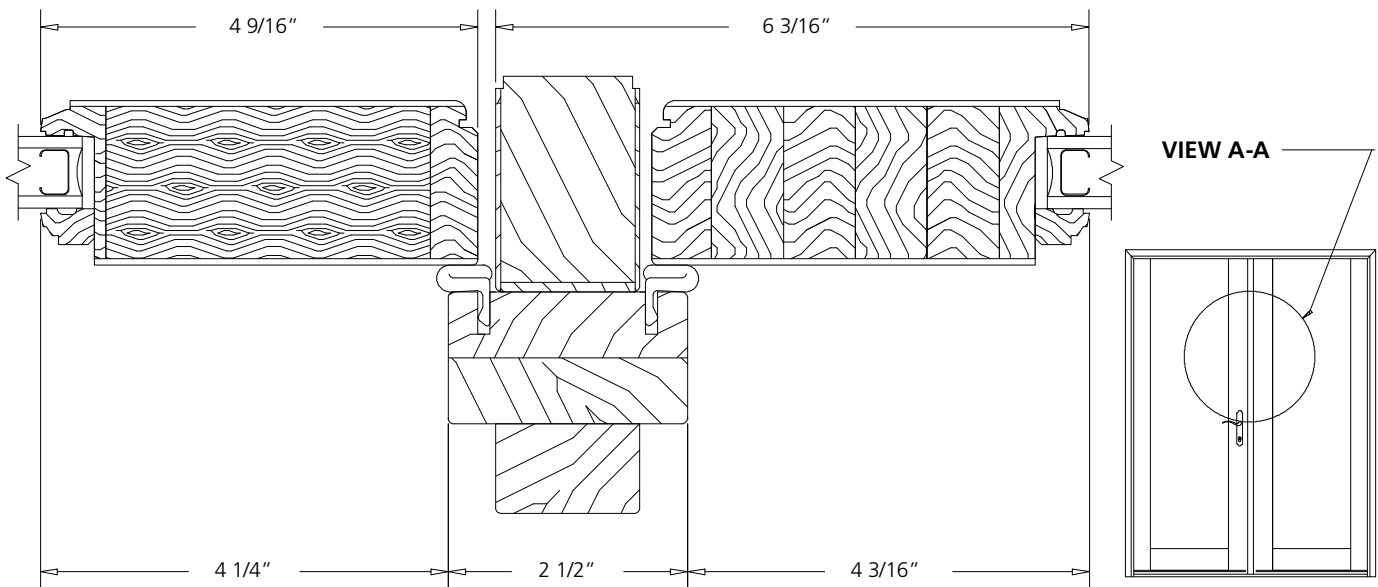
**Note:** Bottom rail shown is for 6'-8" doors. Bottom rail is 3" taller for doors over 6'-8".

SCALE: 6" = 1'

**SINGLE SWING OUT-SWING**



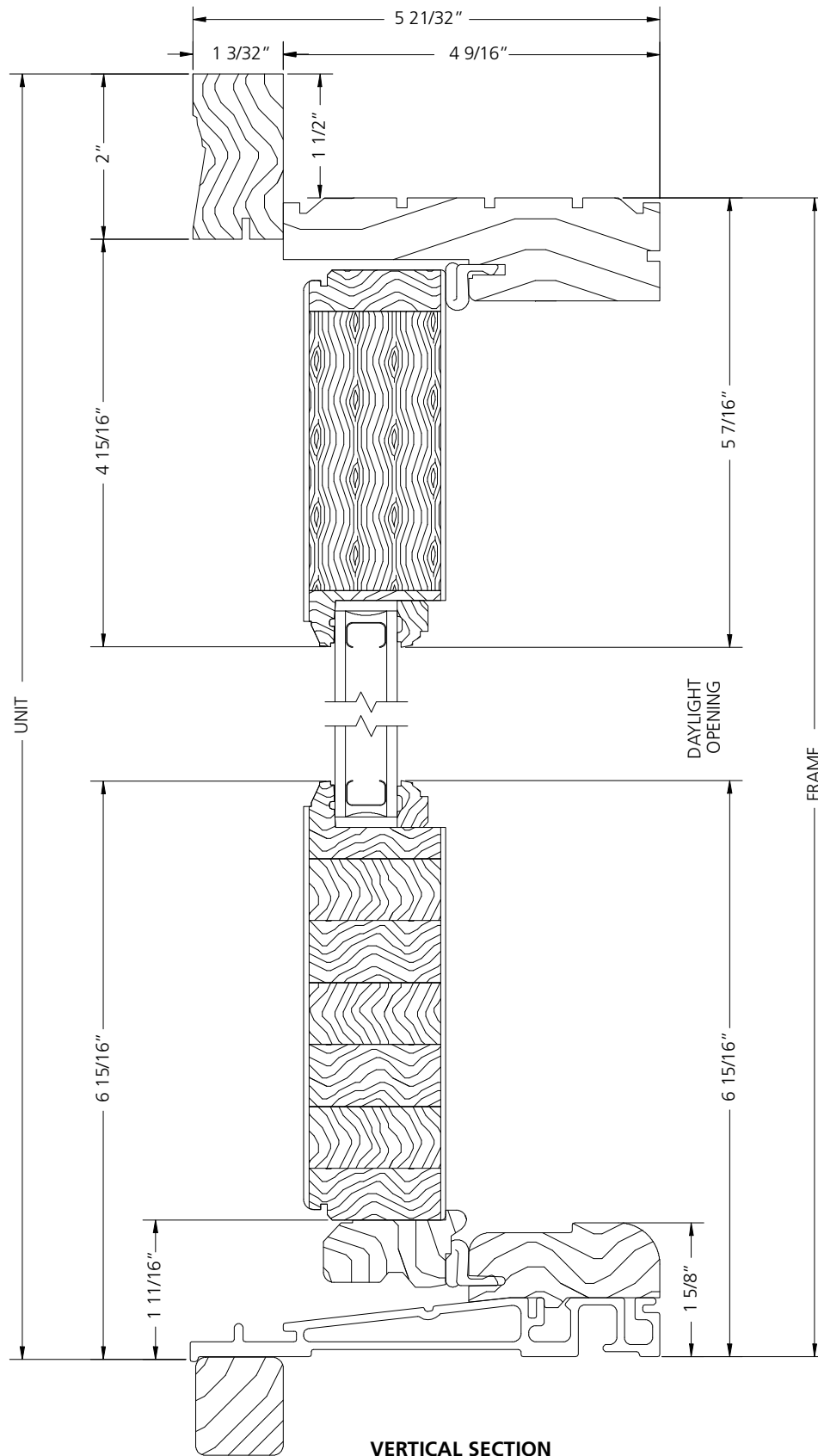
**HORIZONTAL SECTION**



**POST SECTION  
VIEW A-A**

SCALE: 6" = 1'

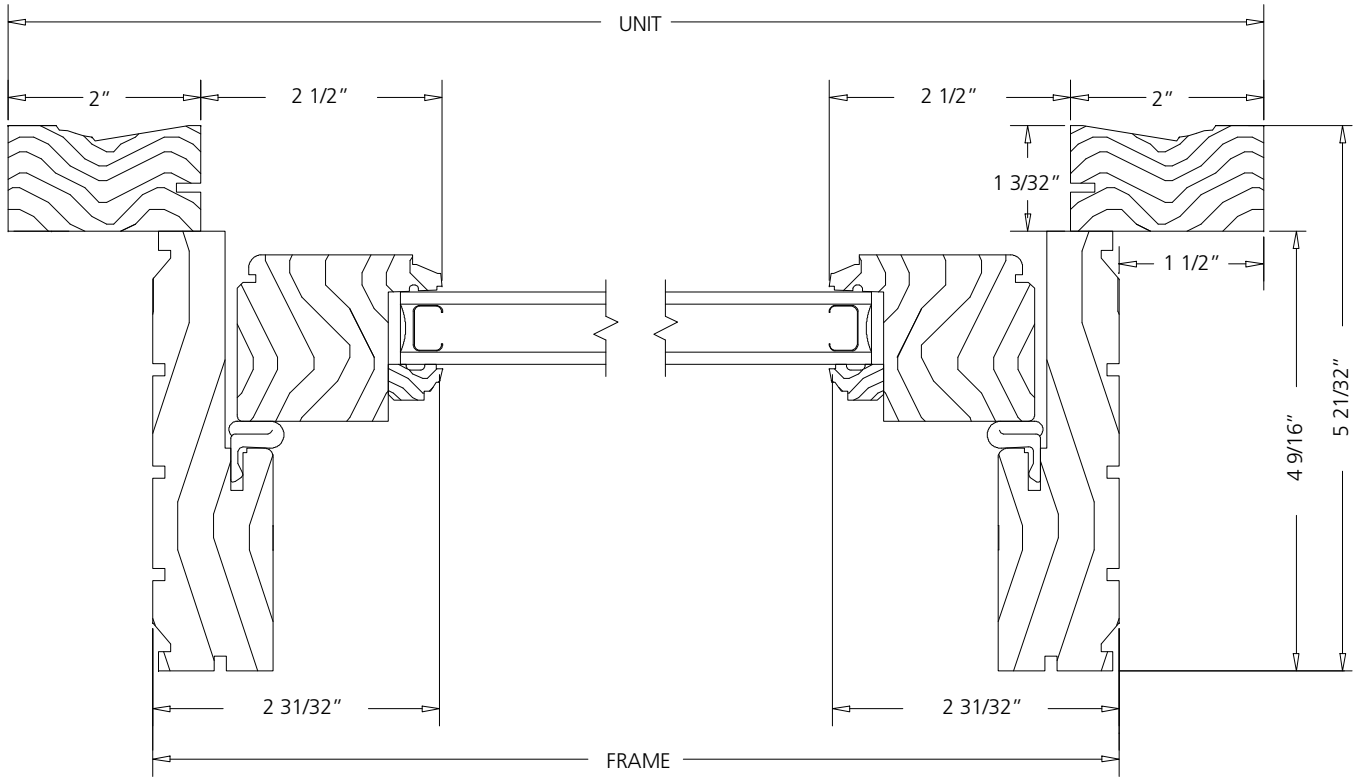
**SIDLIGHT OUT-SWING**



**Note:** Bottom rail shown is for 6'-8" doors. Bottom rail is 3" taller for doors over 6'-8".

SCALE: 6" = 1'

**SIDELIGHT OUT-SWING**

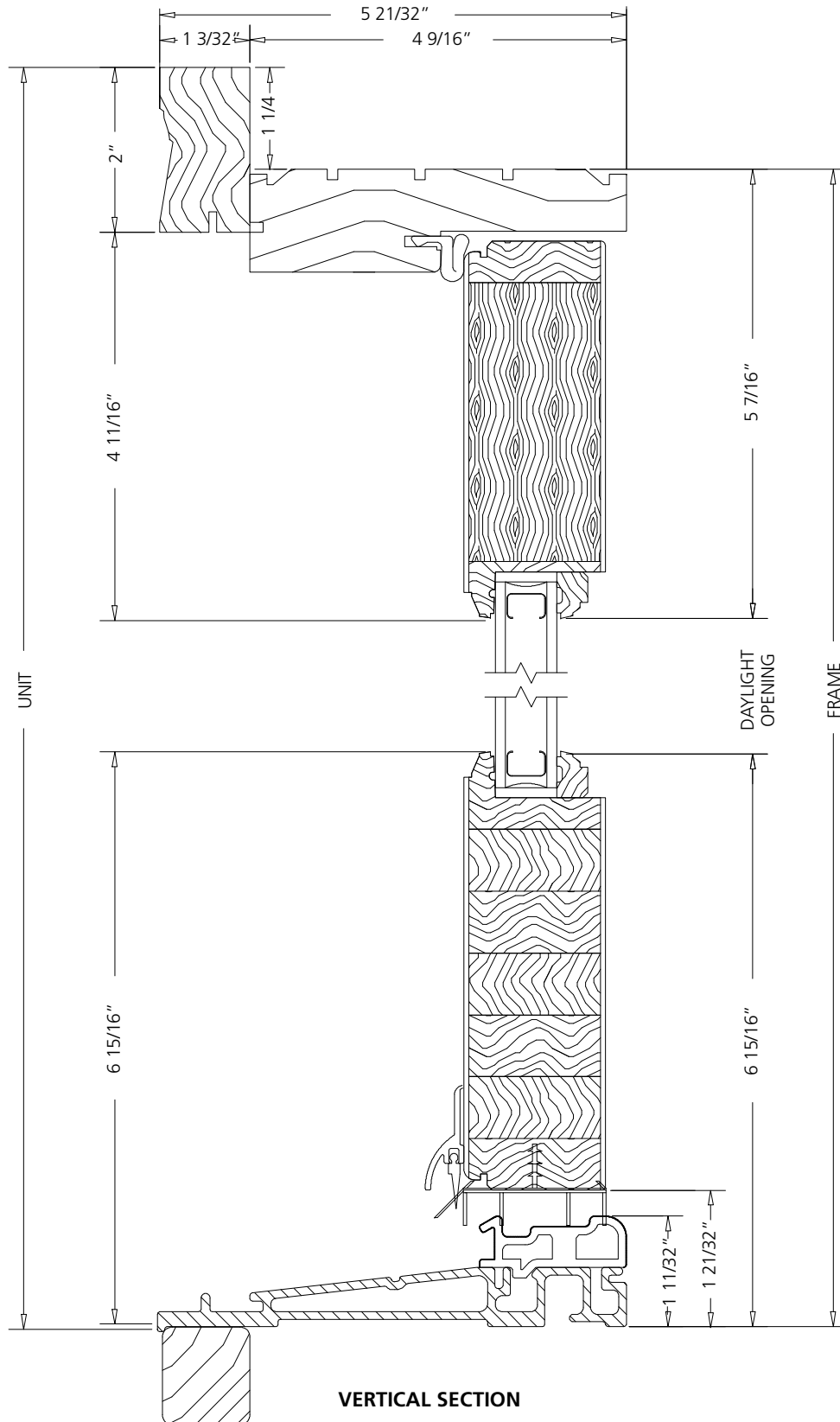


**HORIZONTAL SECTION**

SCALE: 6" = 1'



**FRENCH IN-SWING**

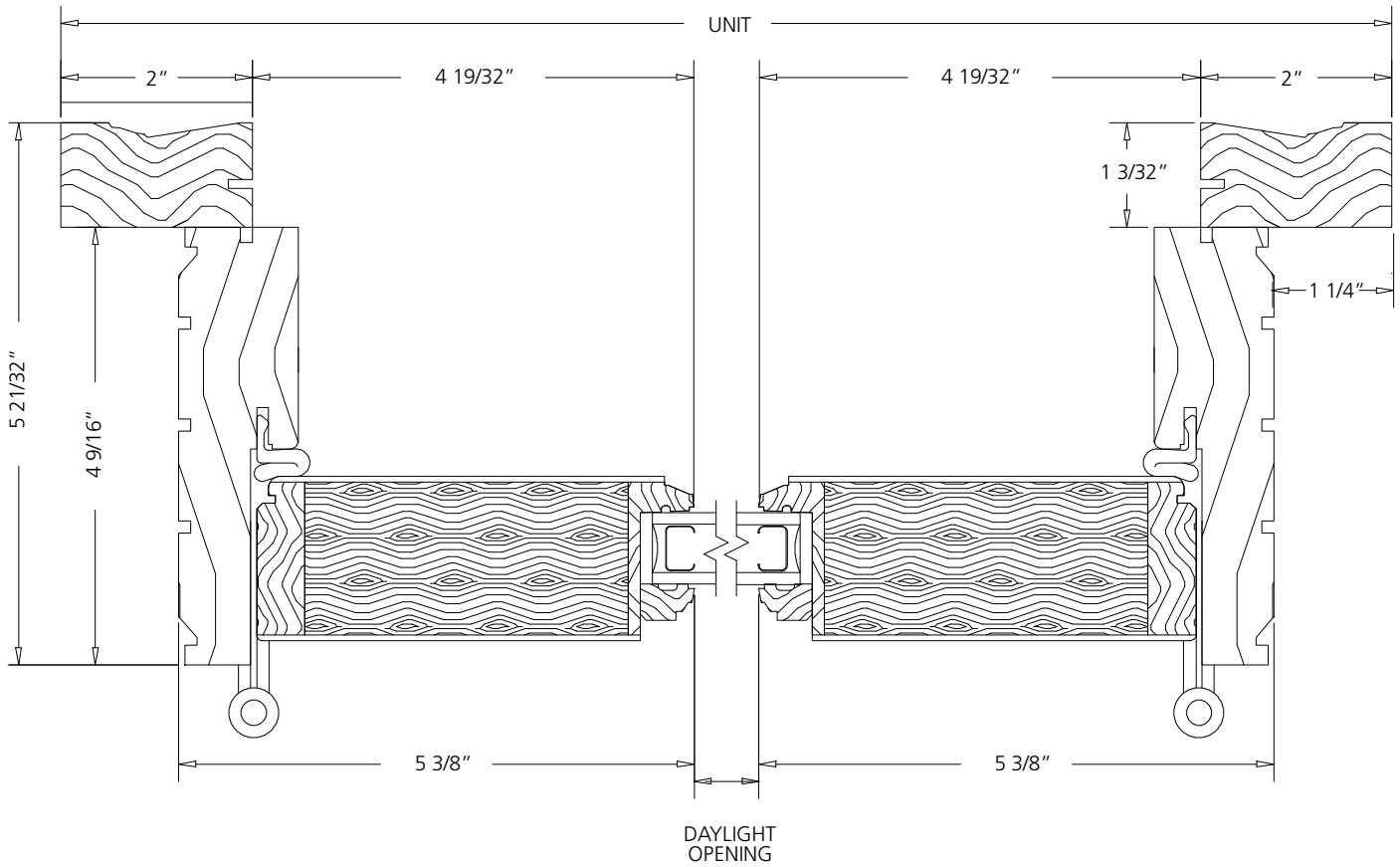


**VERTICAL SECTION**

**Note:** Bottom rail shown is for 6'-8" doors. Bottom rail is 3" taller for doors over 6'-8".

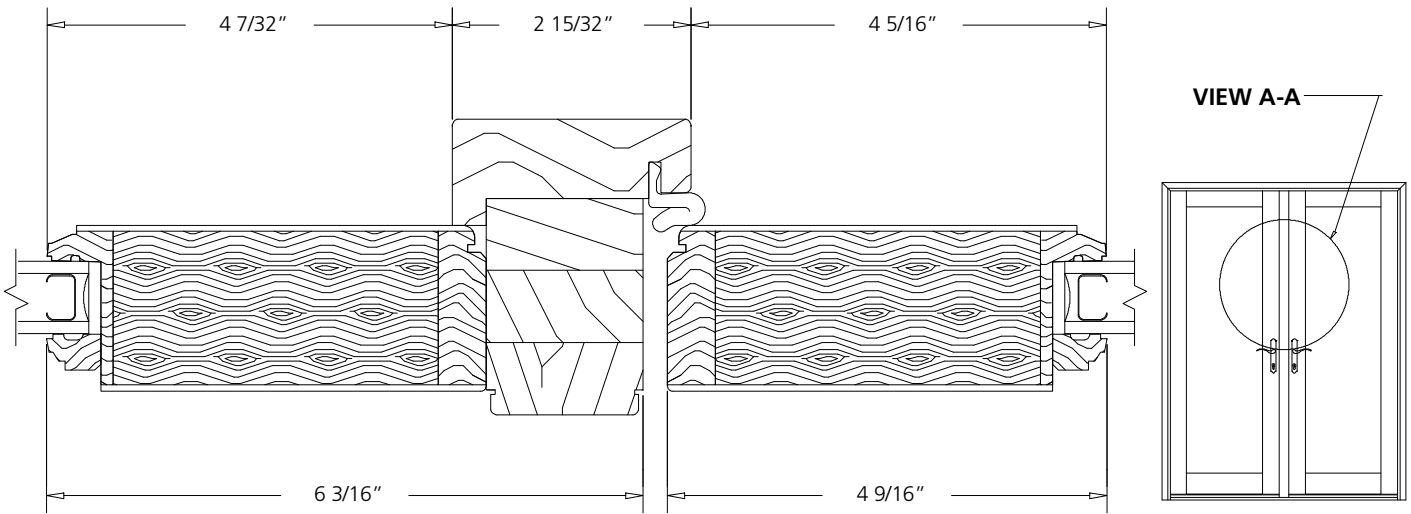
SCALE: 6" = 1'

**FRENCH IN-SWING**



**HORIZONTAL SECTION**

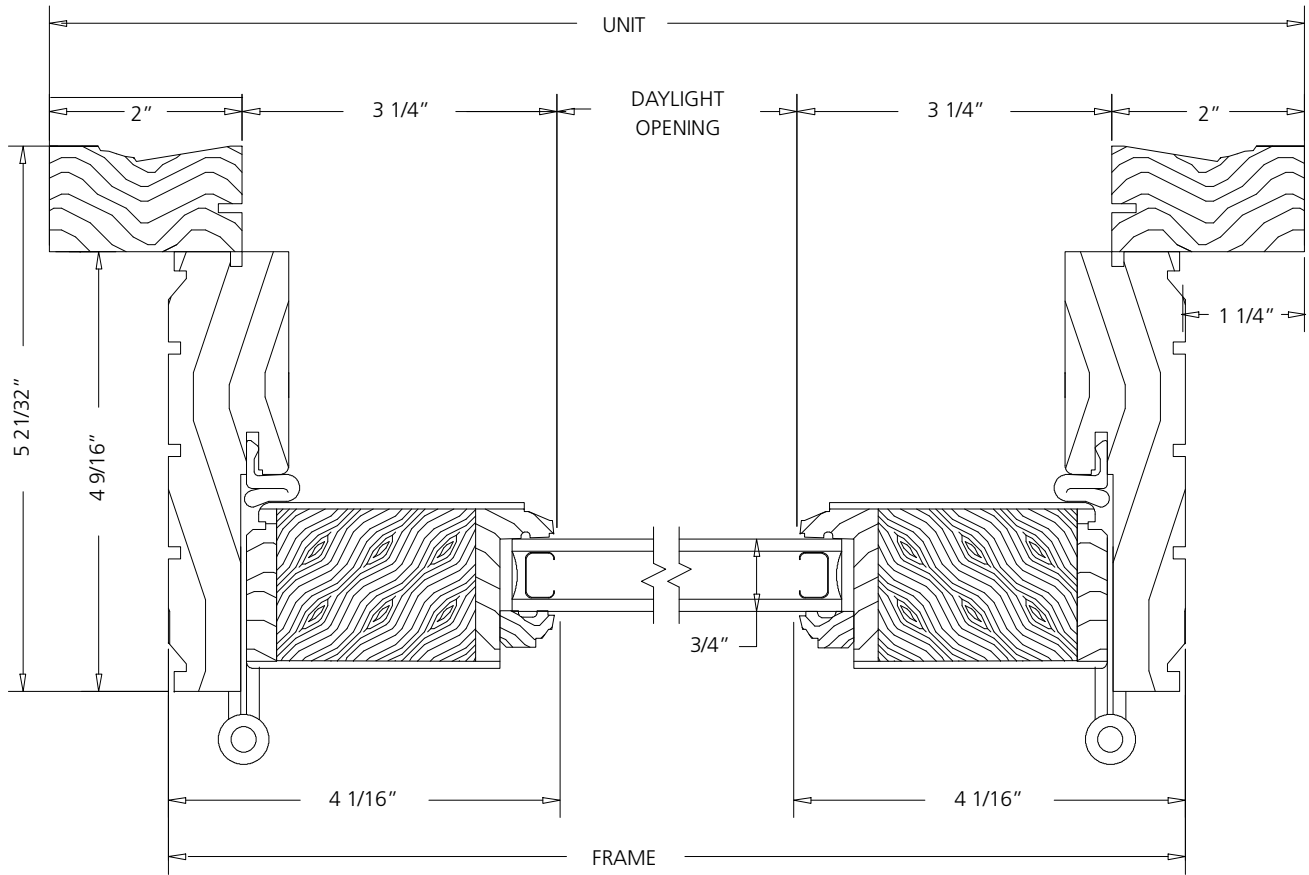
**Note:** See page 14-65 for 4-0 French detail.



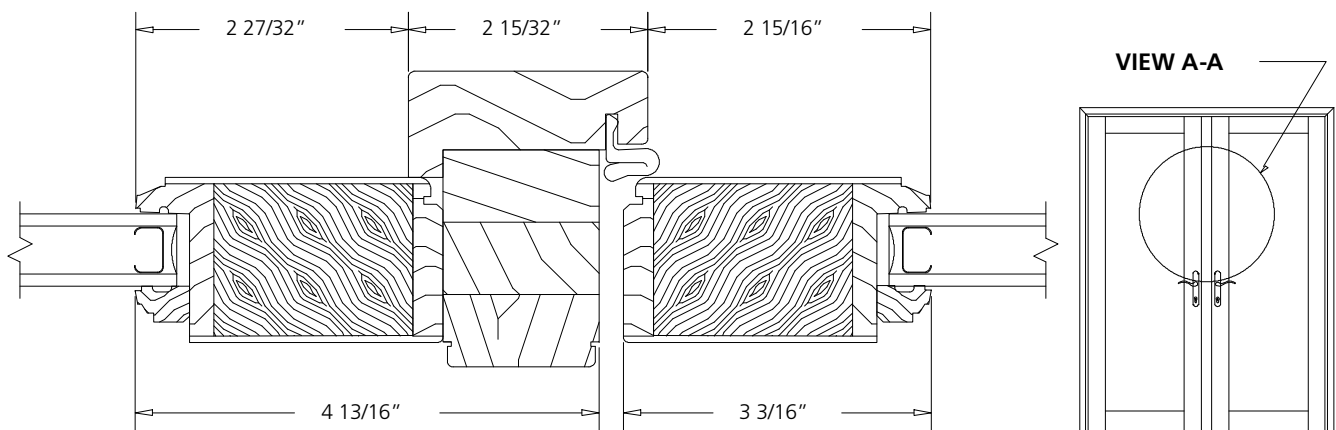
**ASTRAGAL SECTION  
VIEW A-A**

SCALE: 6" = 1'

**4-0 FRENCH IN-SWING**



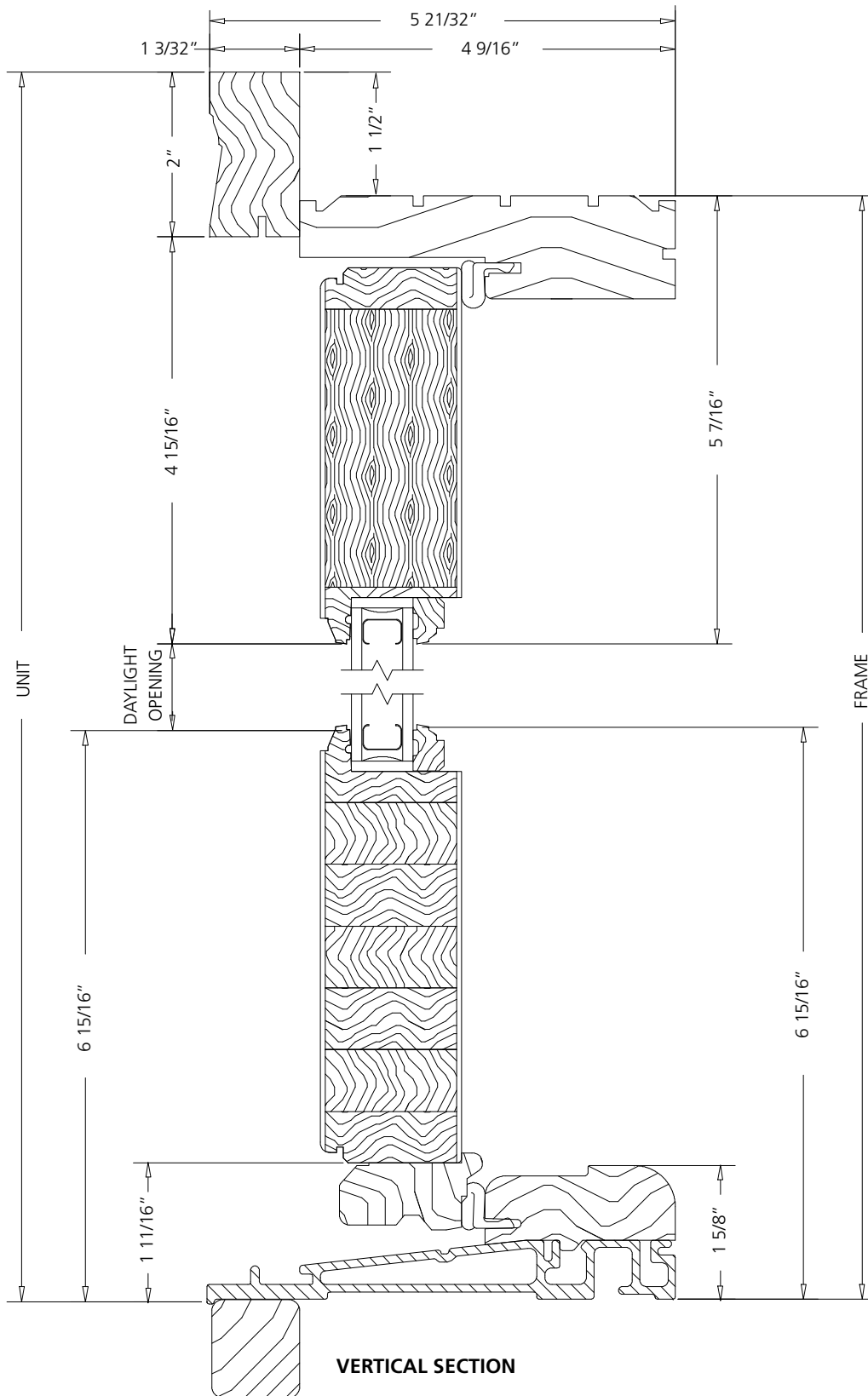
**HORIZONTAL SECTION**



**ASTRAGAL SECTION  
VIEW A-A**

SCALE: 6" = 1'

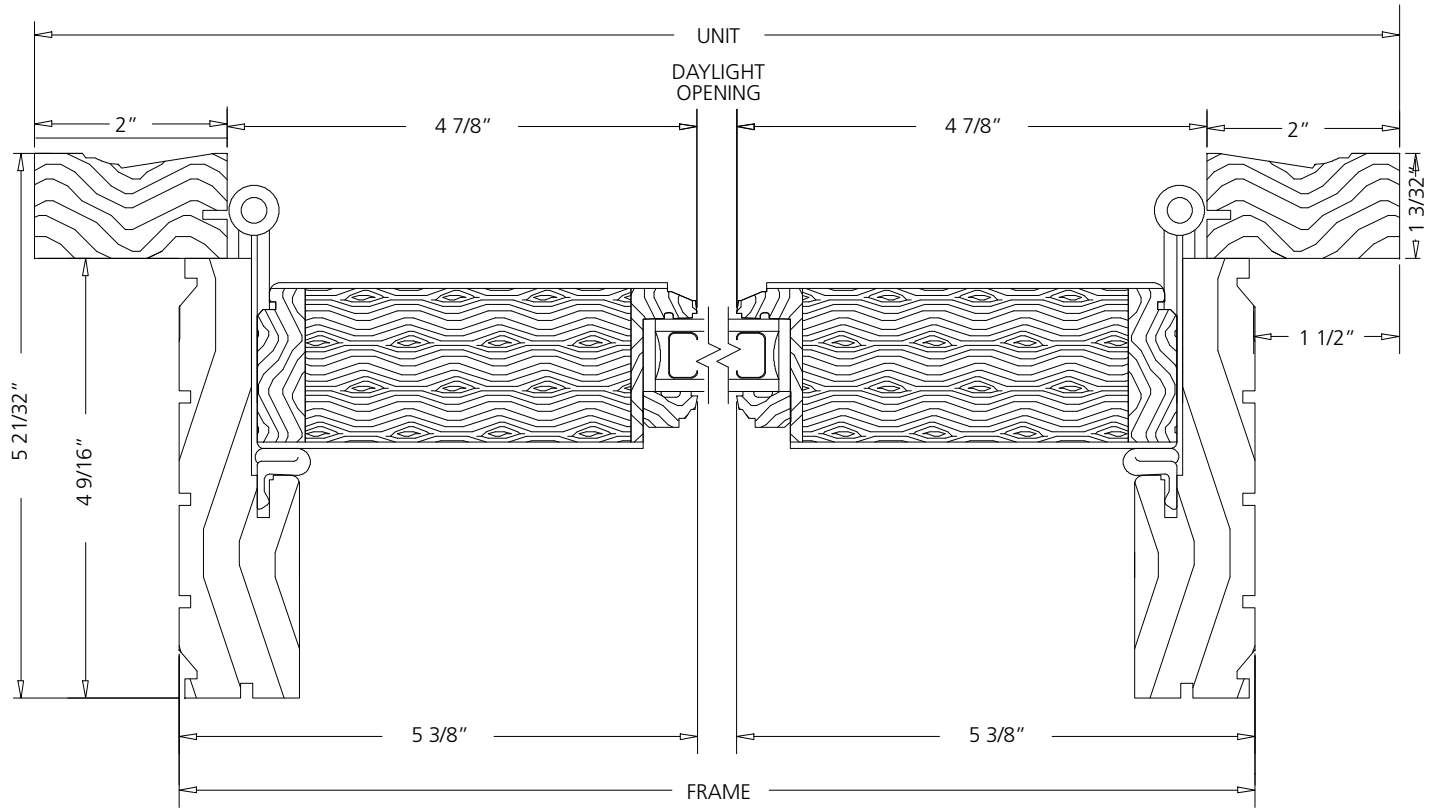
**FRENCH OUT-SWING**



**Note:** Bottom rail shown is for 6'-8" doors. Bottom rail is 3" taller for doors over 6'-8".

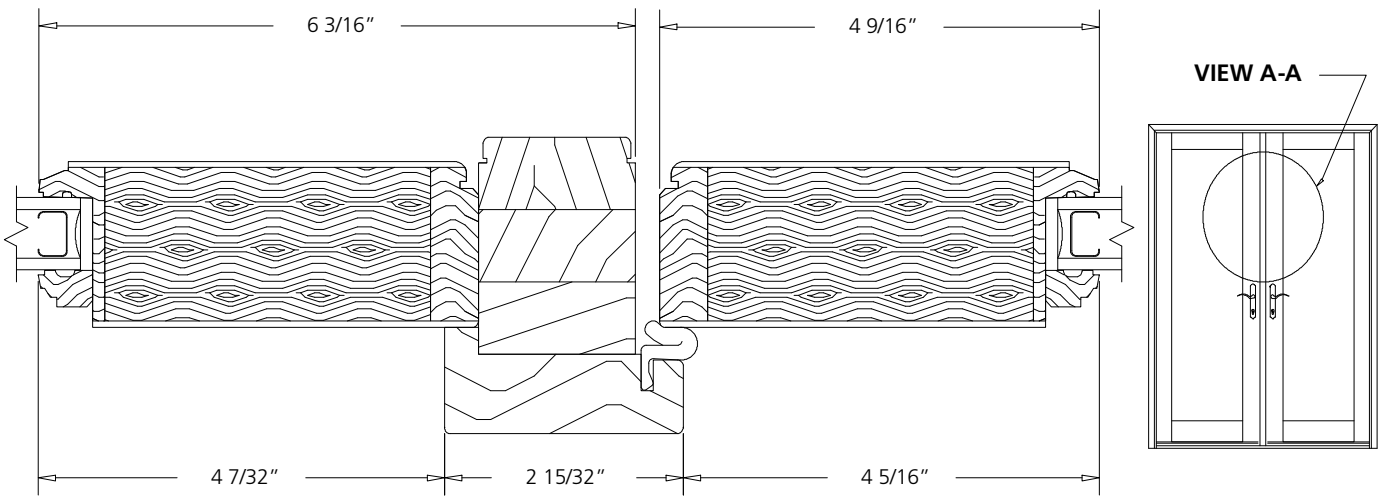
SCALE: 6" = 1'

**FRENCH OUT-SWING**



**HORIZONTAL SECTION**

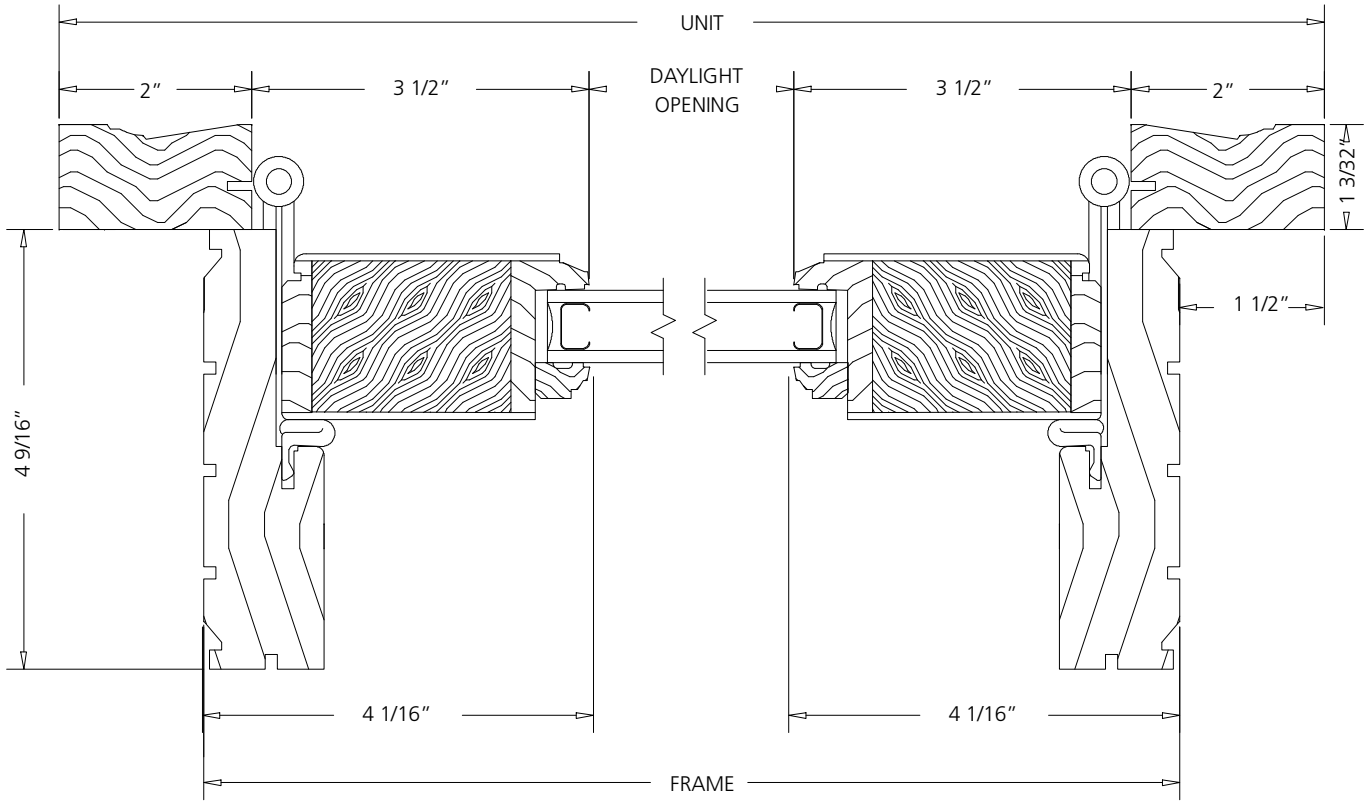
**Note:** See page 14-62 for 4-0 French detail.



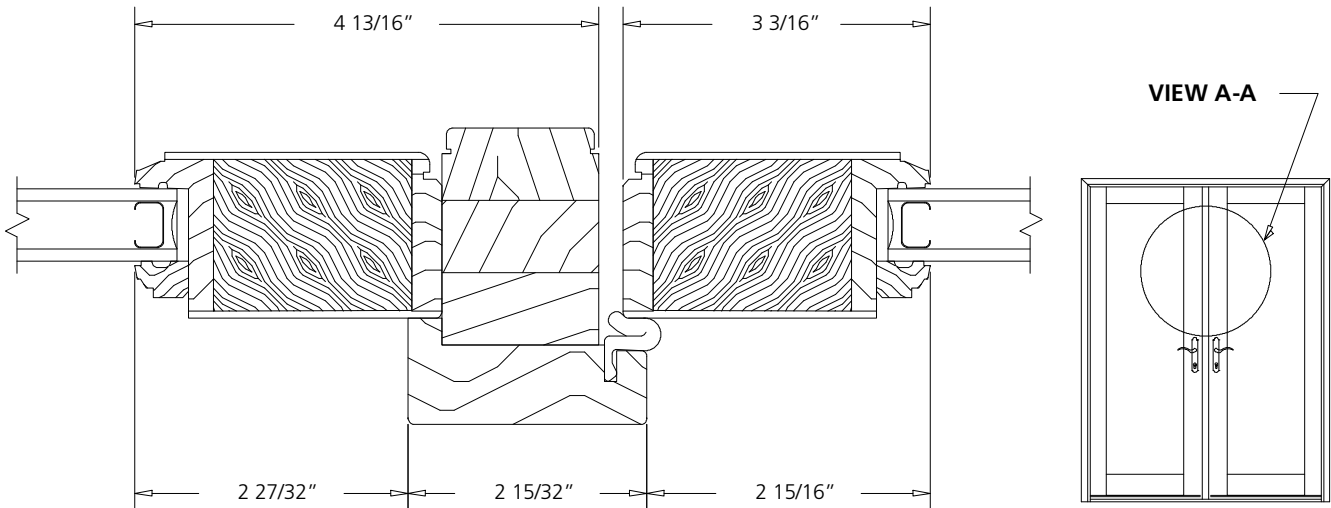
**ASTRAGAL SECTION  
VIEW A-A**

SCALE: 6" = 1'

**4-0 FRENCH OUT-SWING**



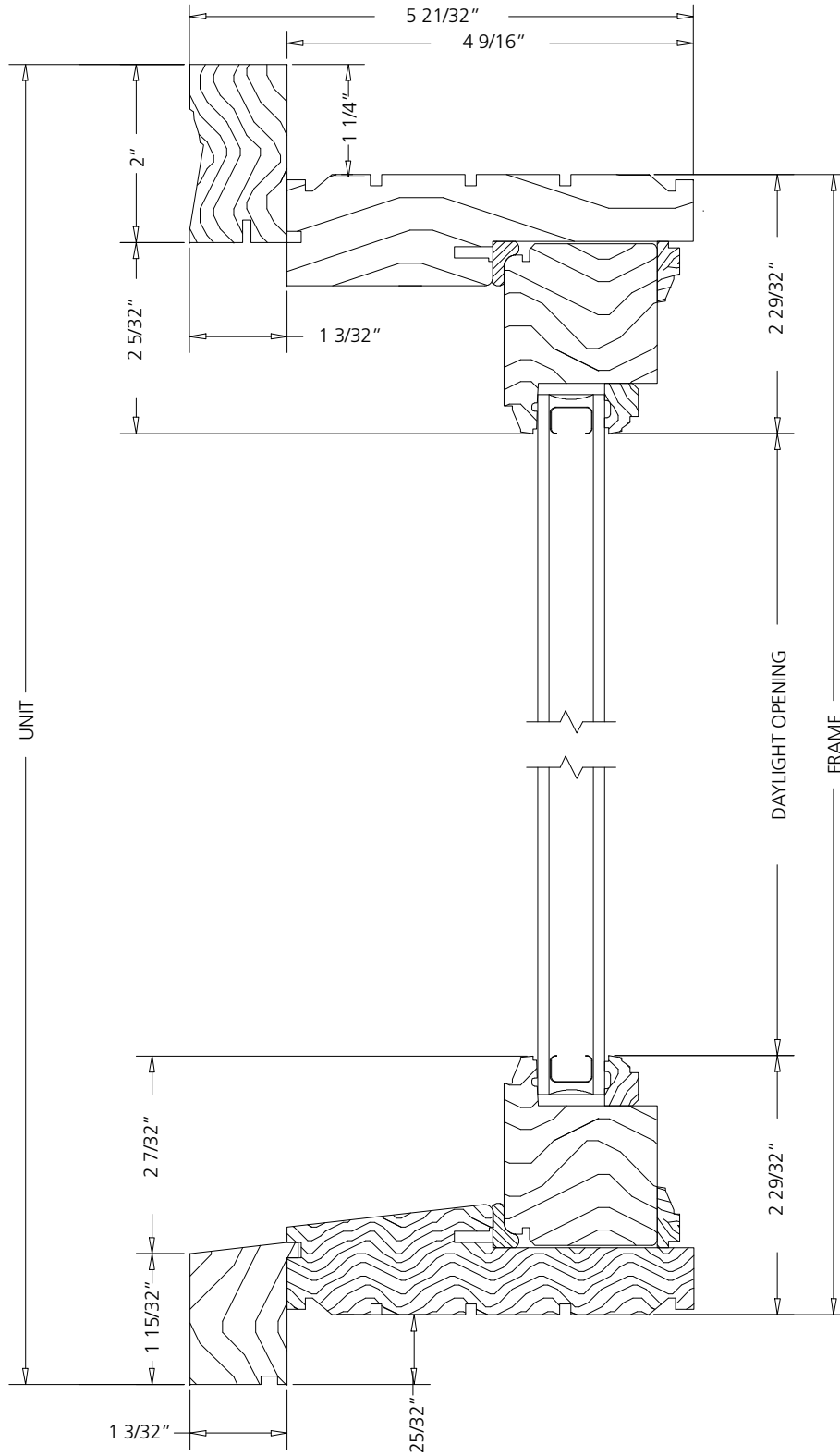
**HORIZONTAL SECTION**



**ASTRAGAL SECTION  
VIEW A-A**

SCALE: 6" = 1'

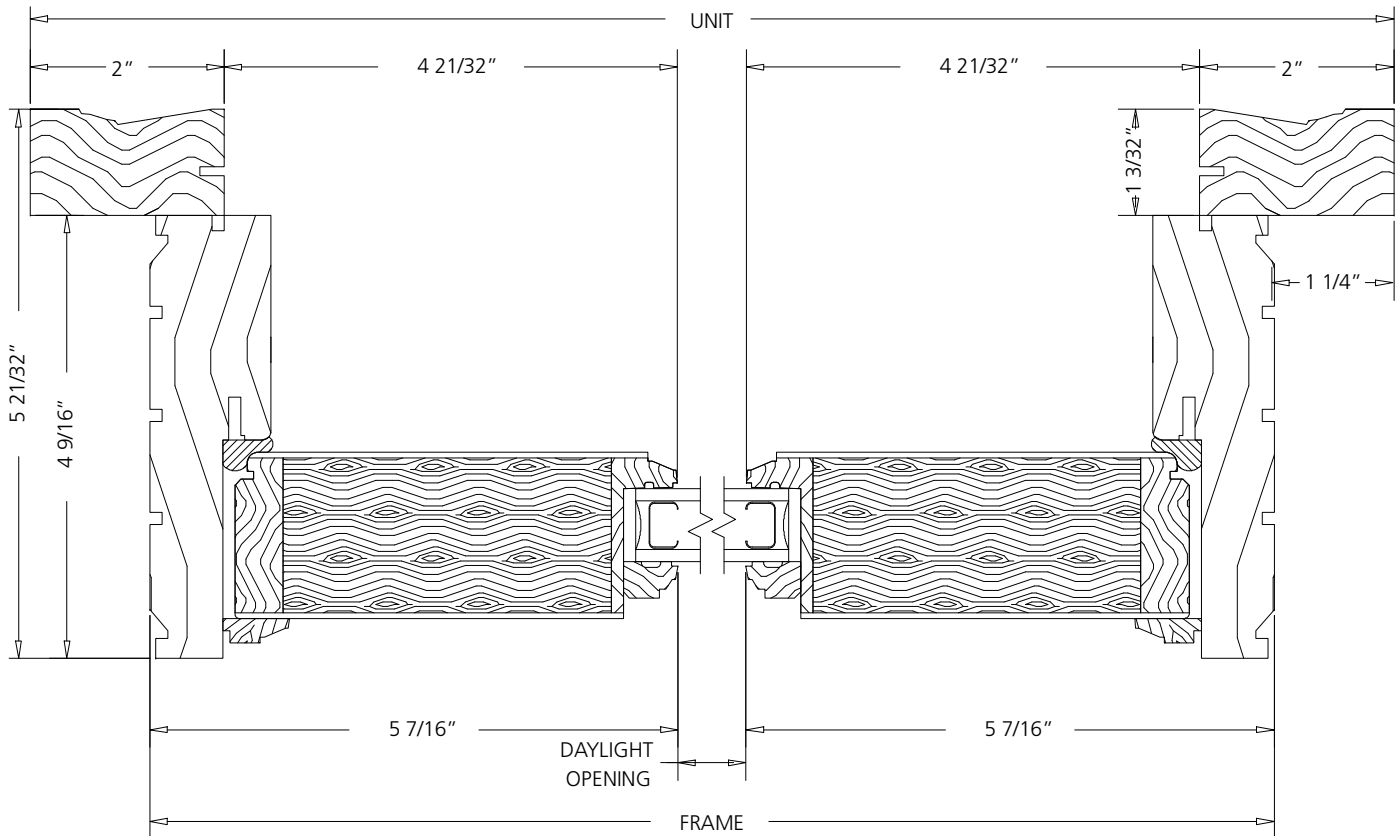
**IN-SWING AND OUT-SWING TRANSOM**



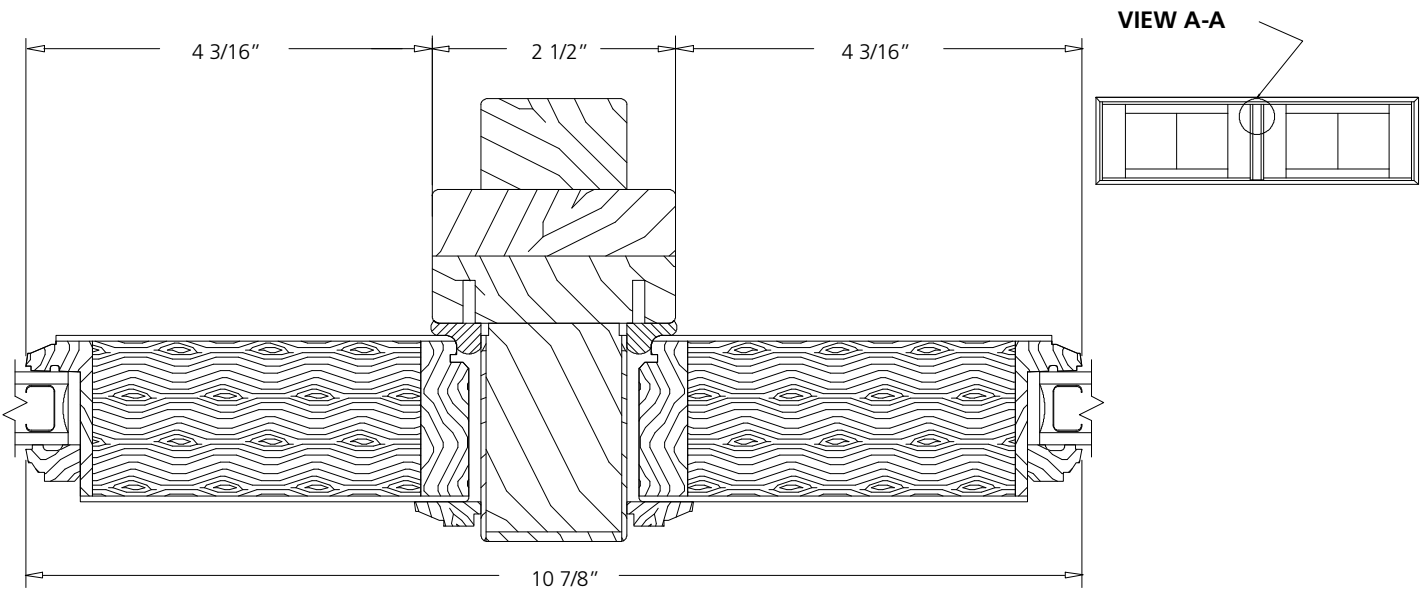
**VERTICAL SECTION**

SCALE: 6" = 1'

**IN-SWING AND OUT-SWING TRANSOM**



**HORIZONTAL SECTION**

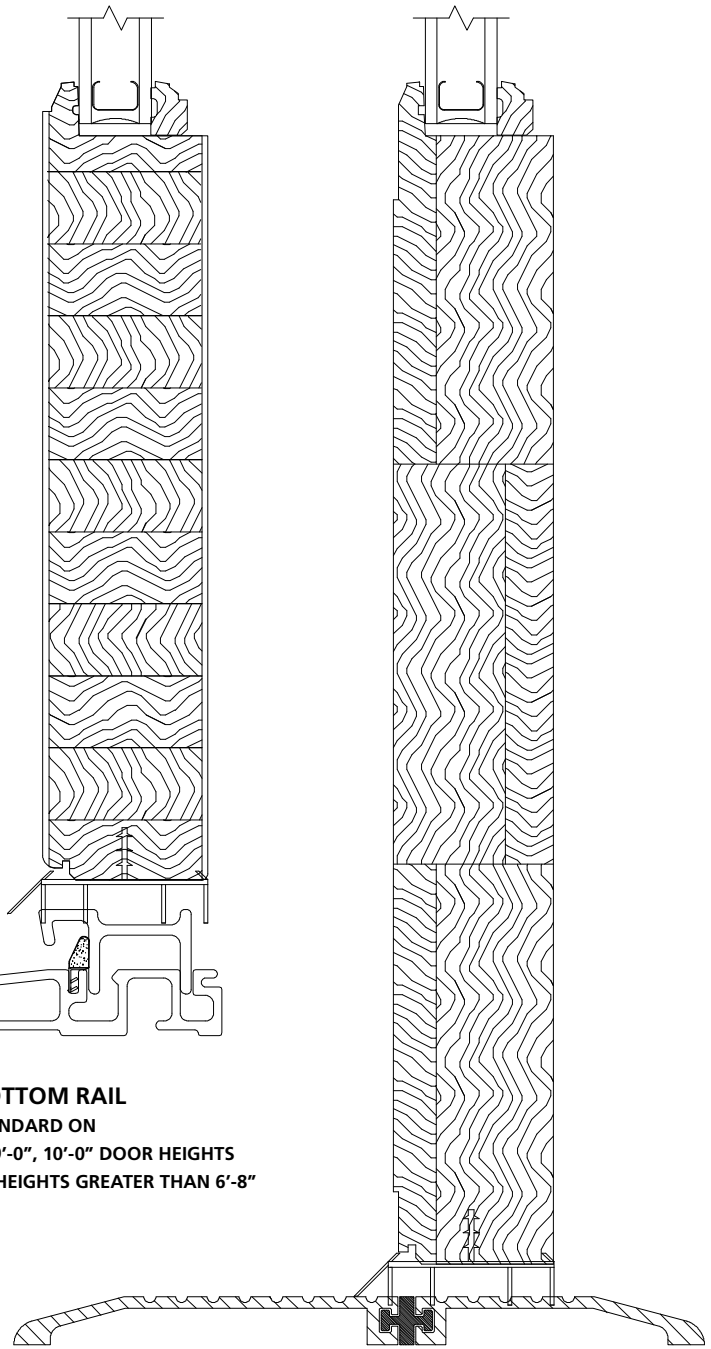
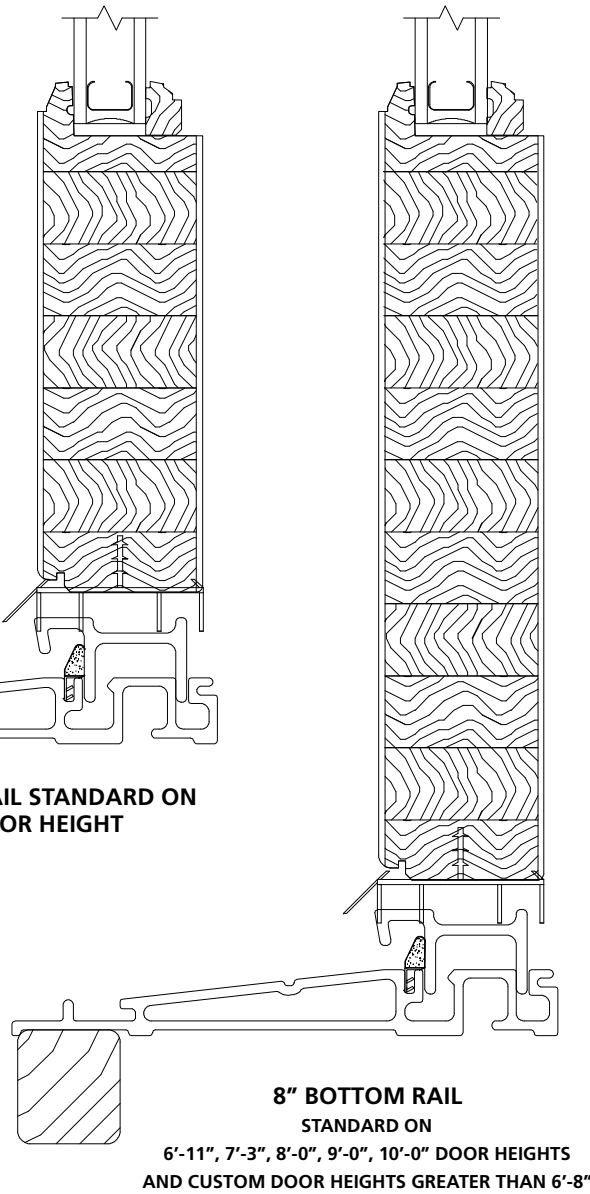
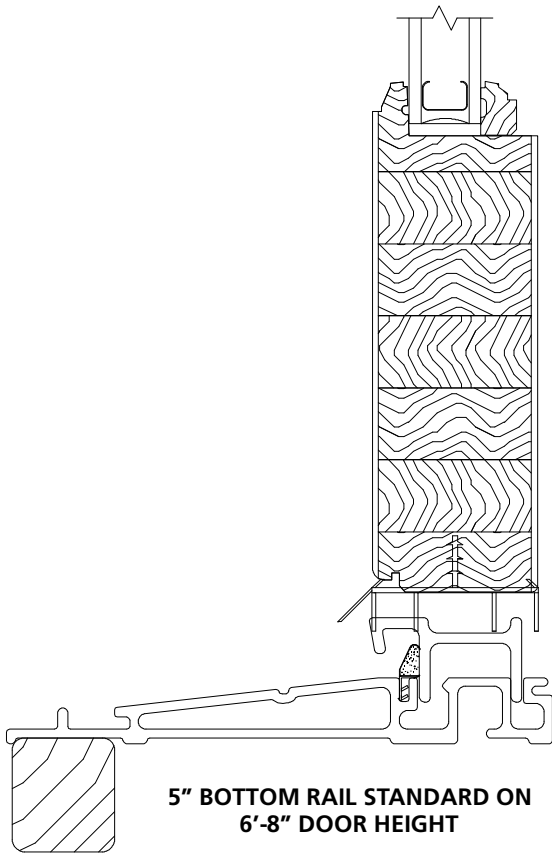


**POST SECTION  
VIEW A-A**

SCALE: 6" = 1'

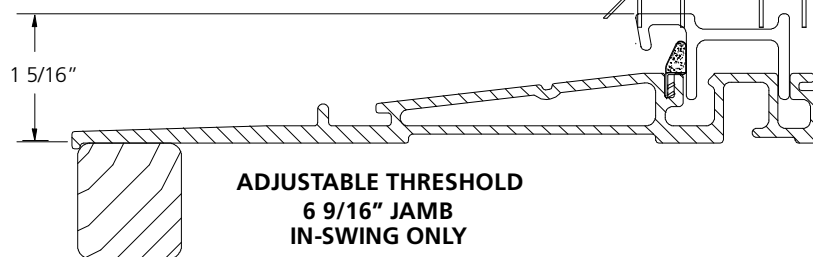
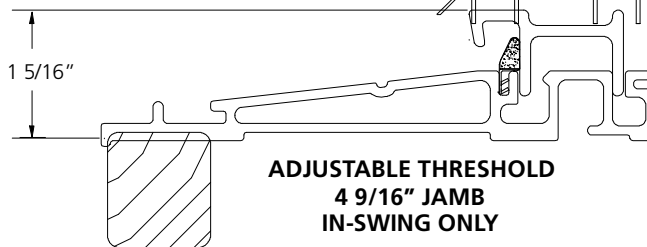
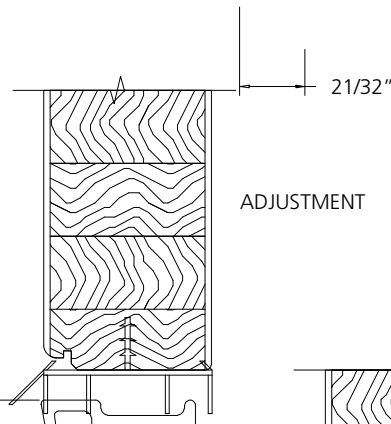
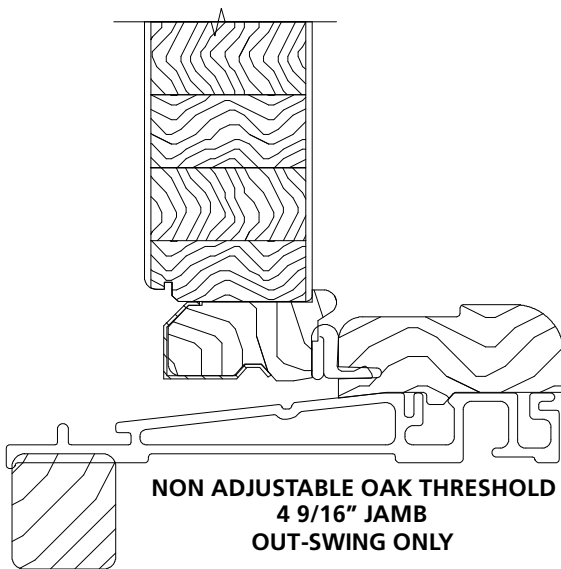
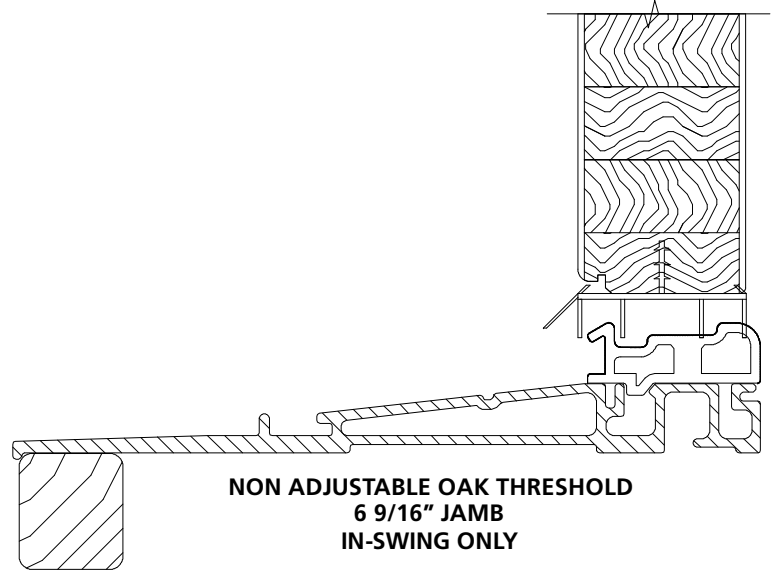
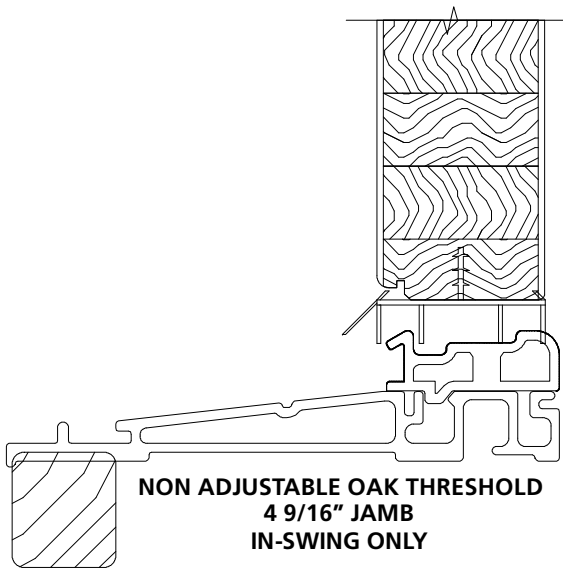


**RAIL OPTIONS**



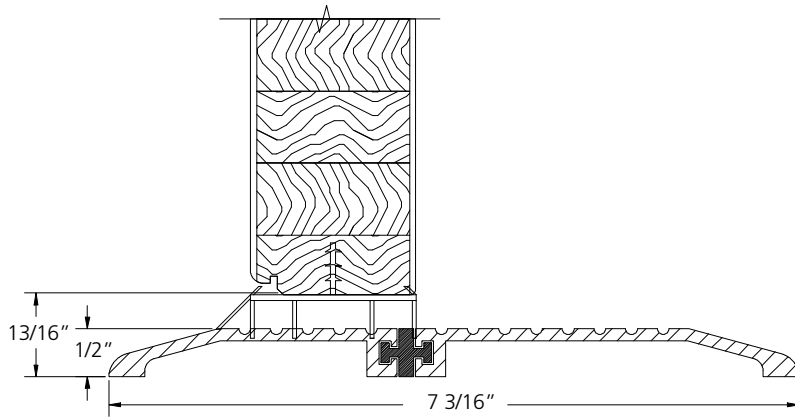
SCALE: 6" = 1'

STANDARD SILL OPTIONS

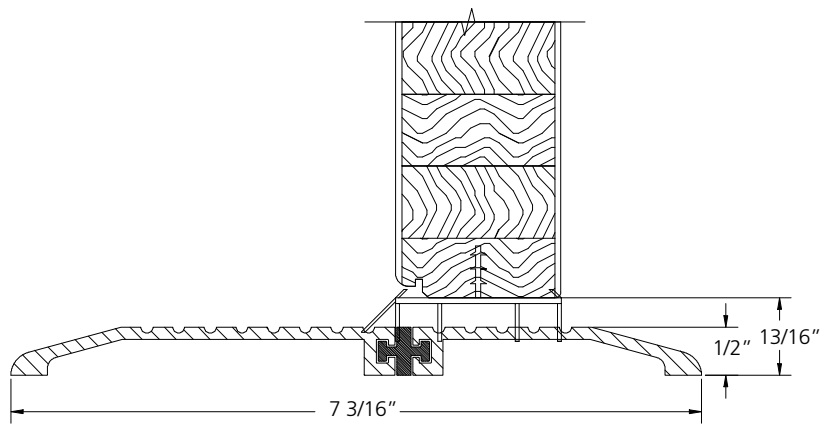


SCALE: 6" = 1'

**HANDICAP SILL OPTIONS**

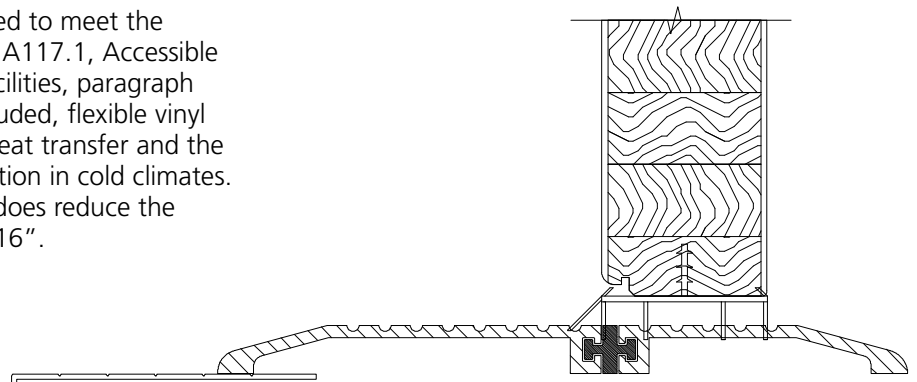


**HANDICAP SILL  
OUT-SWING**



**HANDICAP SILL  
IN-SWING**

**Note:** Handicapped sills are intended to meet the requirements of CABO/ANSI A117.1, Accessible and Usable Buildings and Facilities, paragraph 4.13.8. They feature an extruded, flexible vinyl thermal break to minimize heat transfer and the buildup of frost or condensation in cold climates. The use of the handicap sill does reduce the standard door height by 13/16".

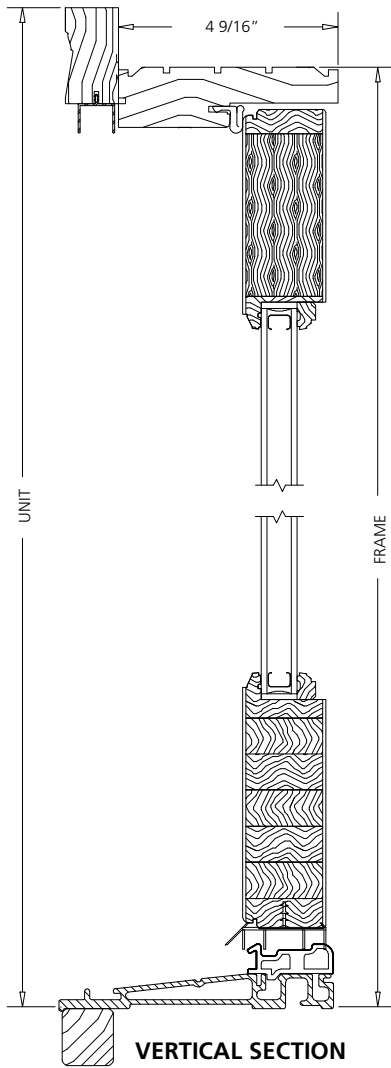


**HANDICAP SILL  
IN-SWING**

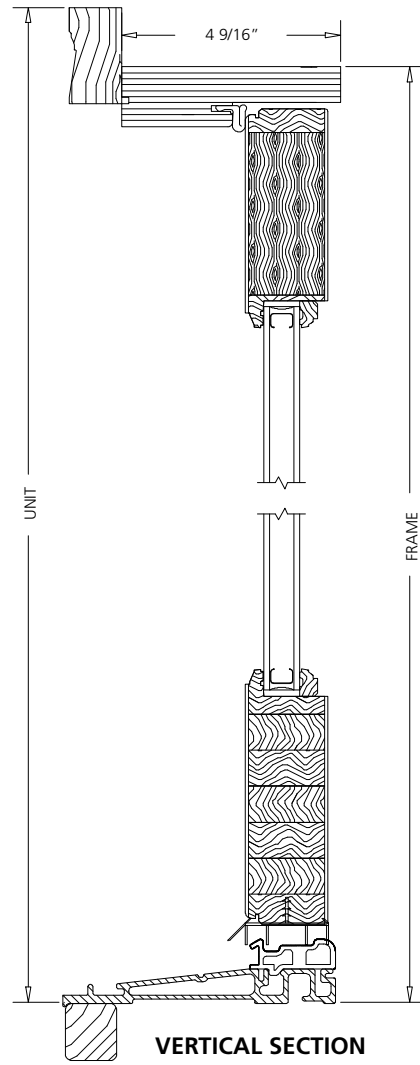
**HANDICAP SILL WITH SILL EXPANDER  
MAXIMUM PROJECTION IS 2"**

SCALE: 6" = 1'

**SINGLE SWING IN-SWING**

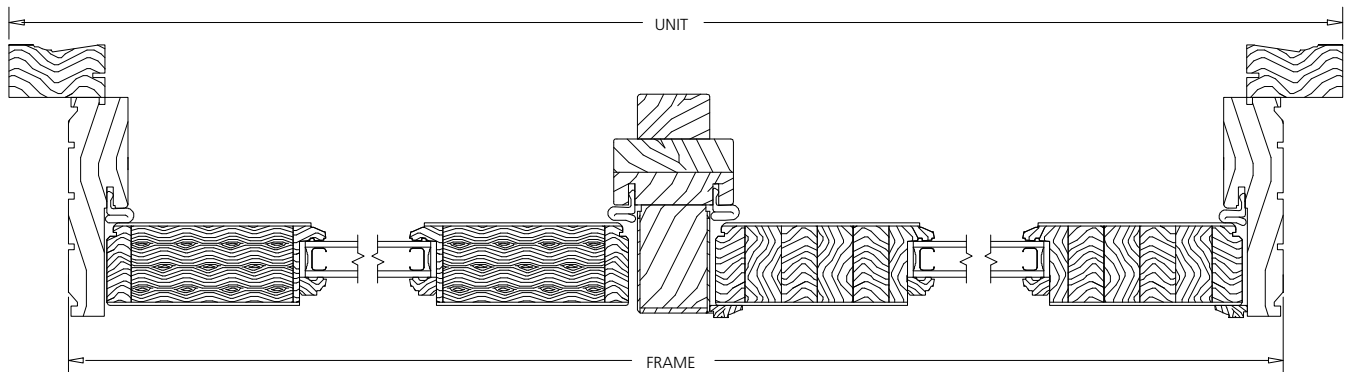


**VERTICAL SECTION**



**VERTICAL SECTION  
RADIUS DOOR**

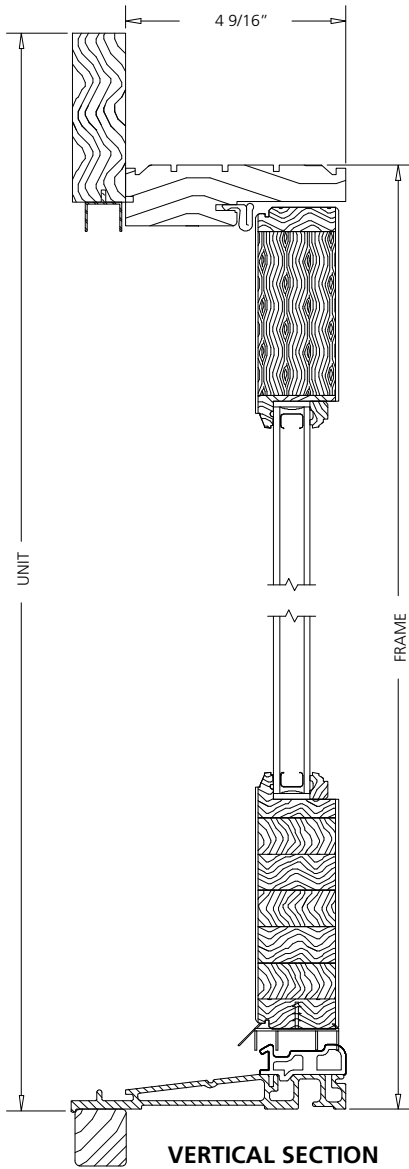
**Note:** Bottom rail shown is for 6'-8" doors. Bottom rail is 3" taller for doors over 6'-8".



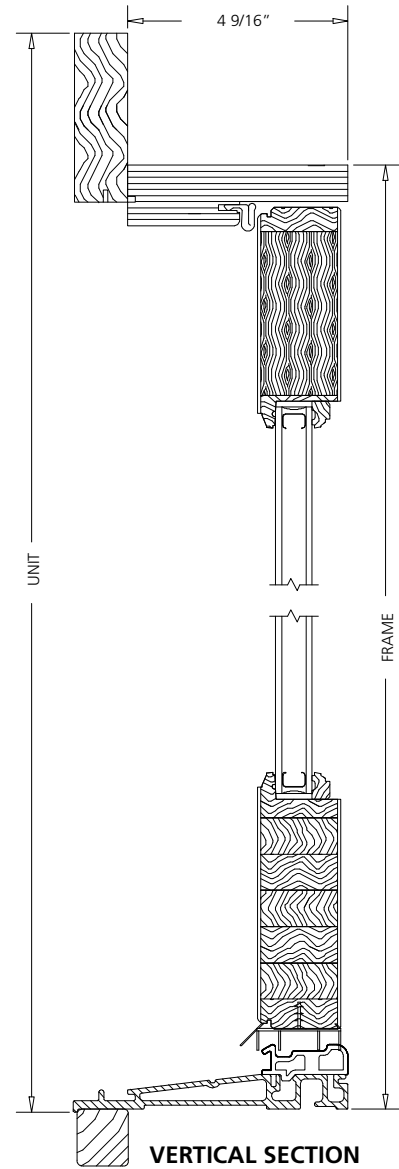
**HORIZONTAL SECTION**

SCALE: 3" = 1'

**SINGLE SWING IN-SWING  
WITH 3-1/2" FLAT CASING**

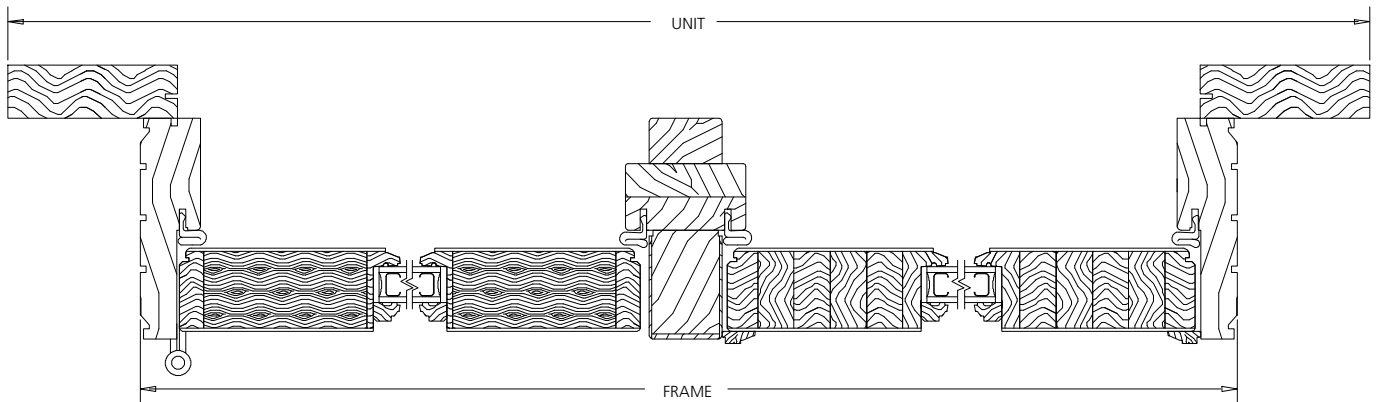


**VERTICAL SECTION**



**VERTICAL SECTION  
RADIUS DOOR**

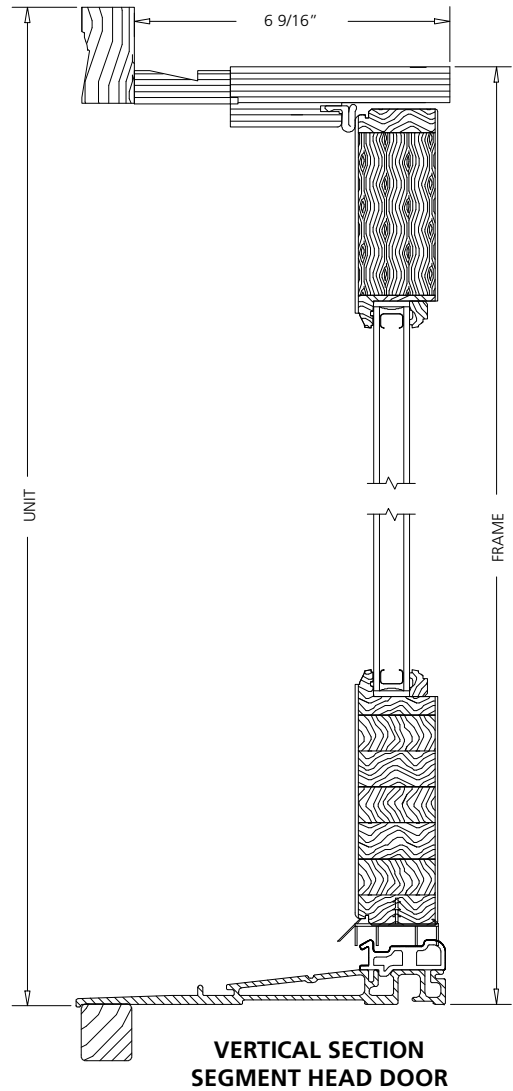
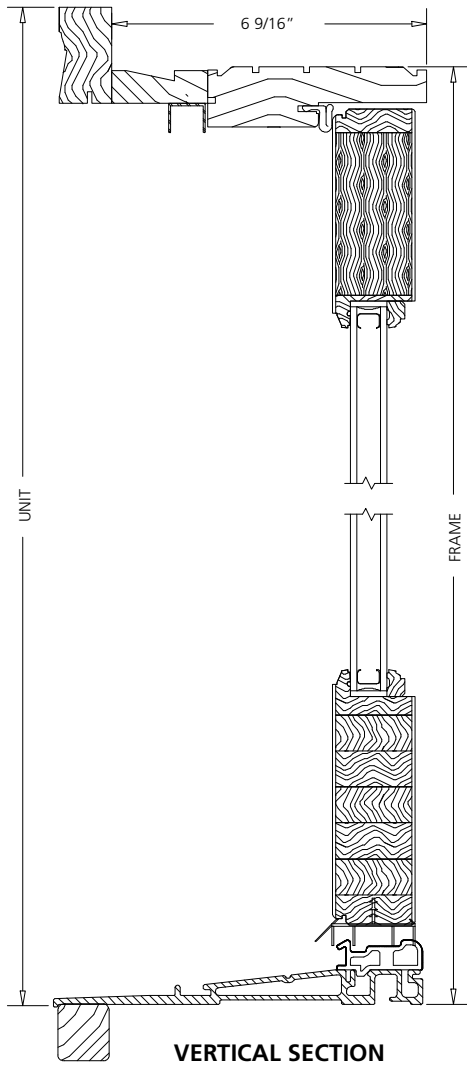
**Note:** Bottom rail shown is for 6'-8" doors. Bottom rail is 3" taller for doors over 6'-8".



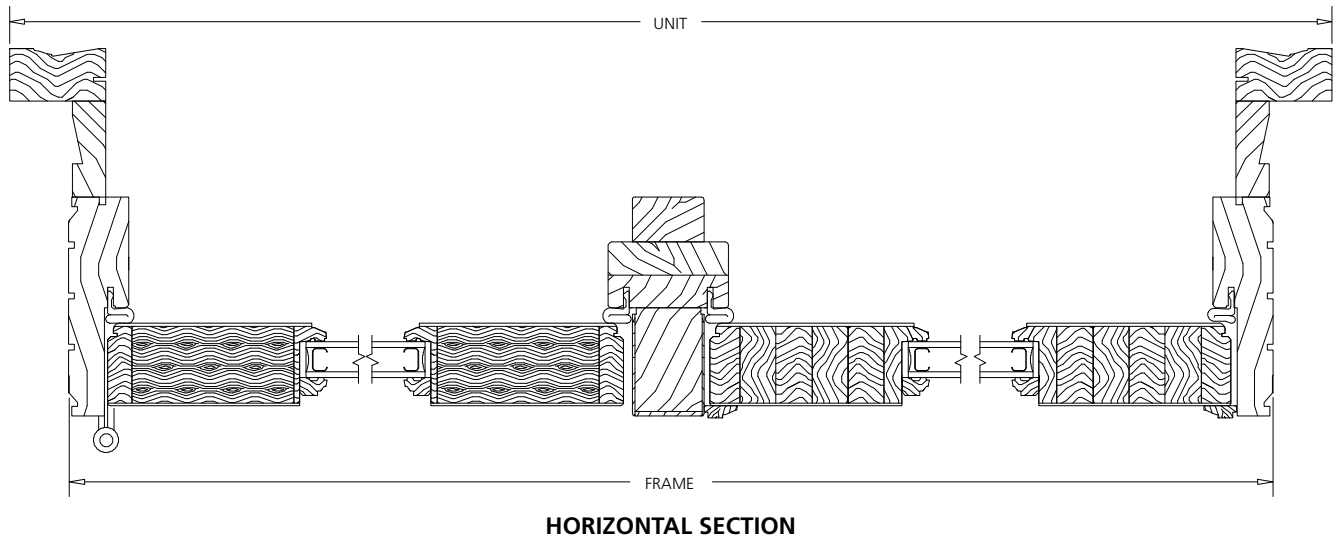
**HORIZONTAL SECTION**

SCALE: 3" = 1'

**SINGLE SWING IN-SWING  
WITH 6-9/16" EXTENSION JAMB**

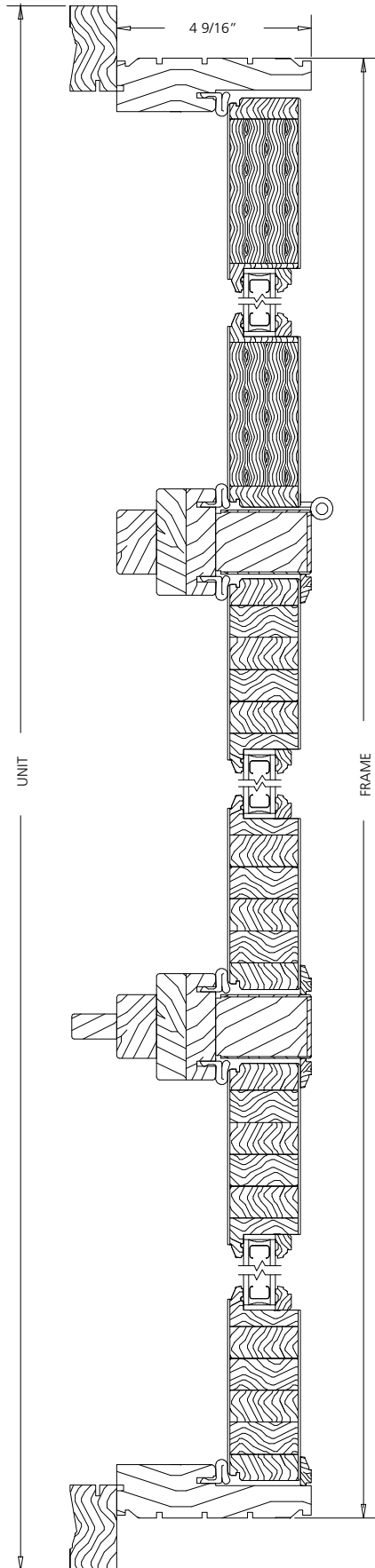


**Note:** Bottom rail shown is for 6'-8" doors. Bottom rail is 3" taller for doors over 6'-8".



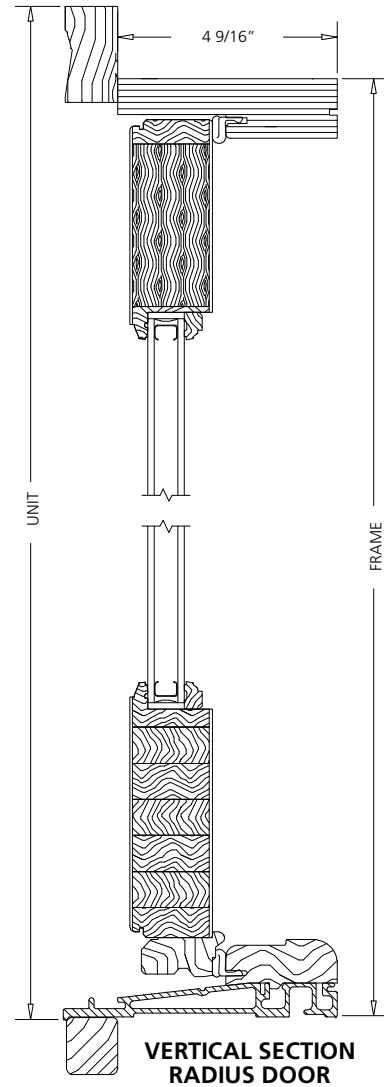
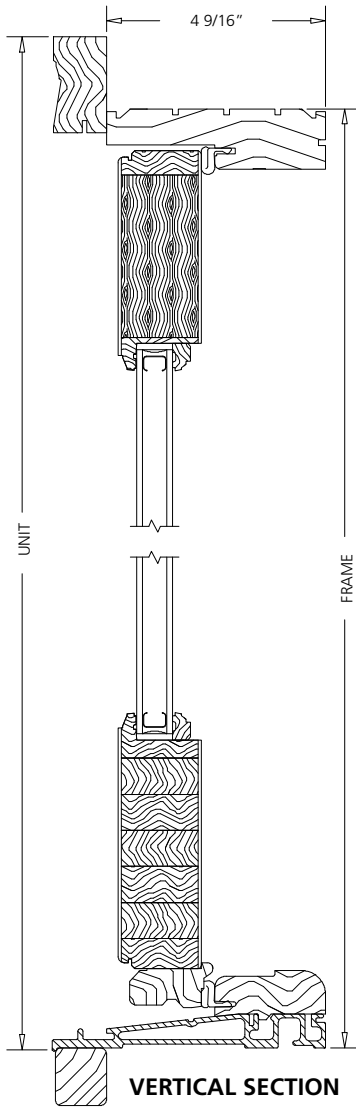
SCALE: 3" = 1'

**SINGLE SWING IN-SWING  
3-PANEL**

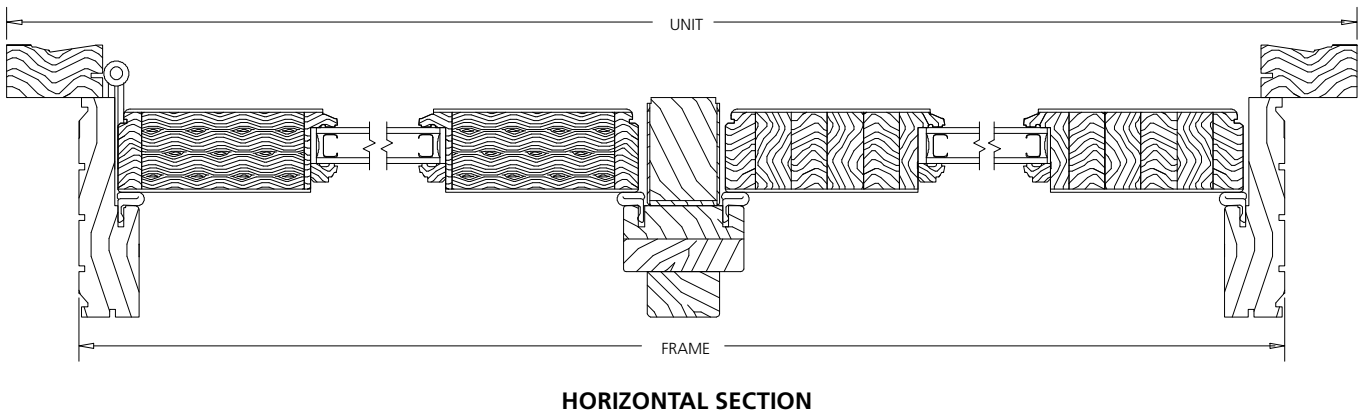


SCALE: 3" = 1'

**SINGLE SWING OUT-SWING**



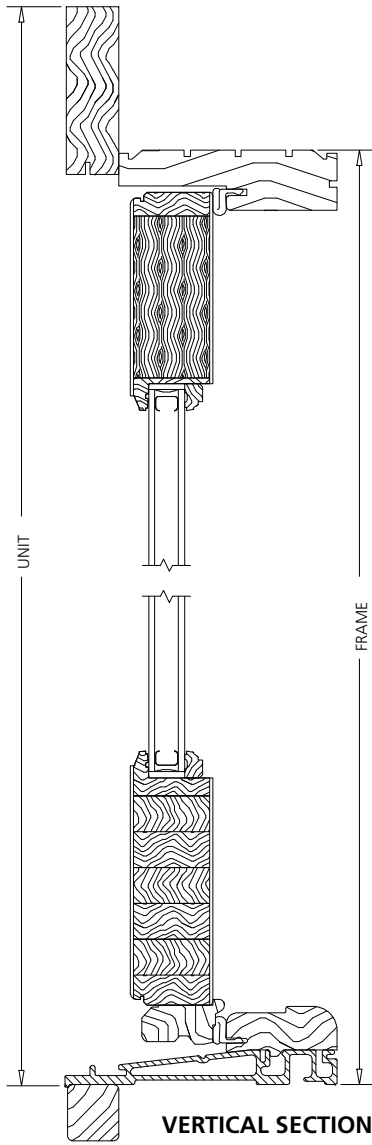
**Note:** Bottom rail shown is for 6'-8" doors. Bottom rail is 3" taller for doors over 6'-8".



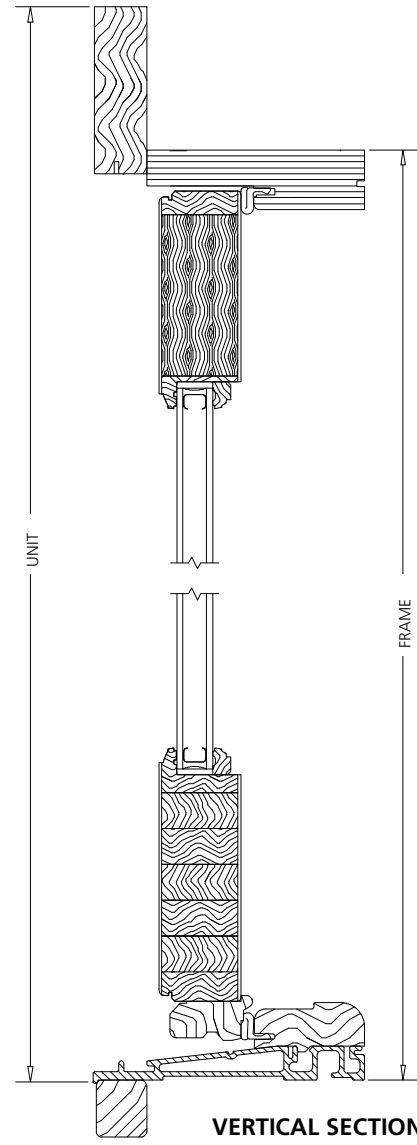
SCALE: 3" = 1'



**SINGLE SWING OUT-SWING  
WITH 3-1/2" FLAT CASING**

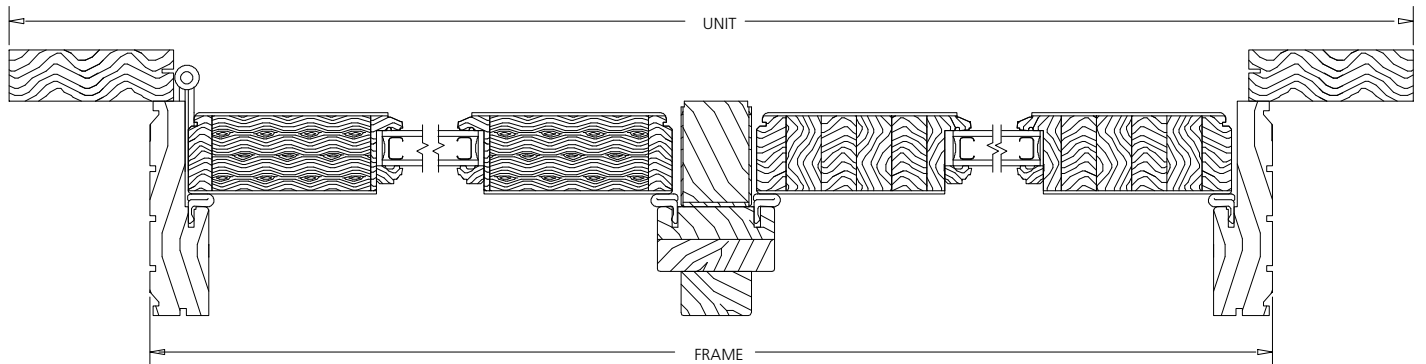


**VERTICAL SECTION**



**VERTICAL SECTION  
SEGMENT HEAD DOOR**

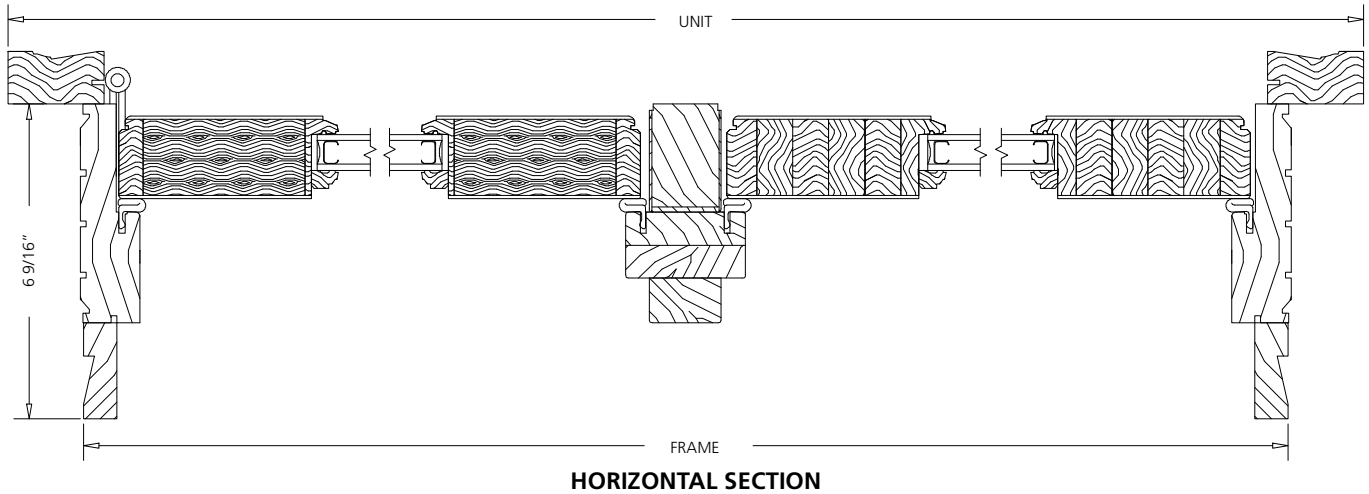
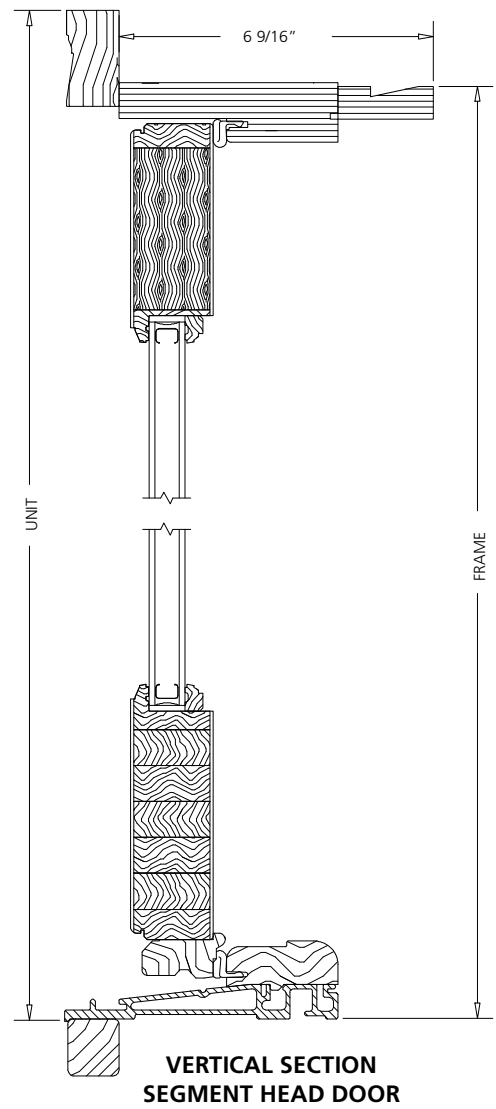
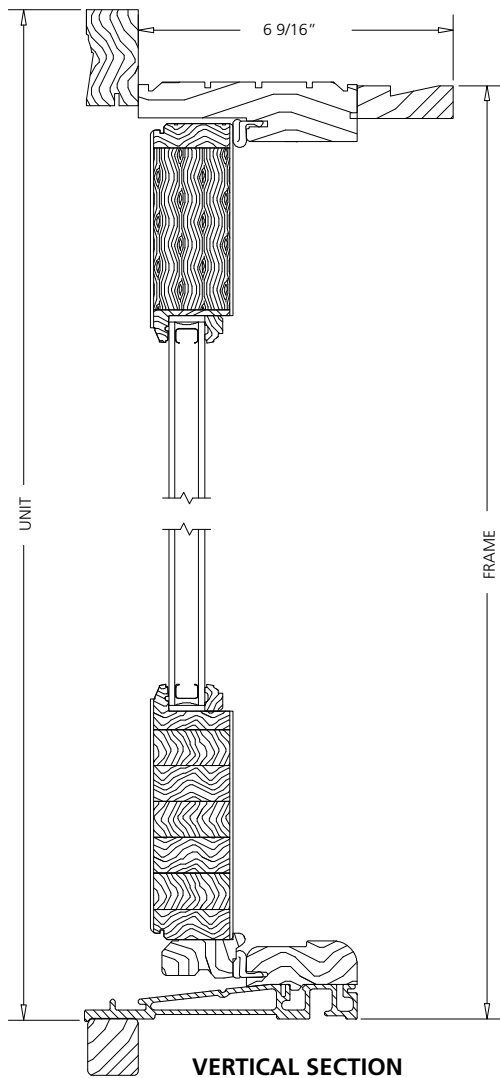
**Note:** Bottom rail shown is for 6'-8" doors. Bottom rail is 3" taller for doors over 6'-8".



**HORIZONTAL SECTION**

SCALE: 3" = 1'

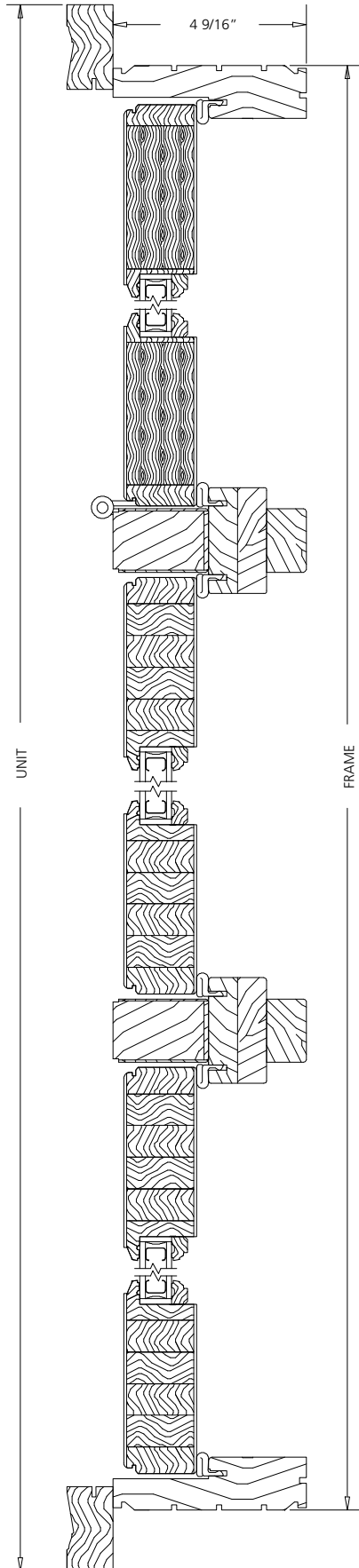
**SINGLE SWING OUT-SWING  
WITH 6-9/16" JAMB**



**Note:** Bottom rail shown is for 6'-8" doors. Bottom rail is 3" taller for doors over 6'-8".

SCALE: 3" = 1'

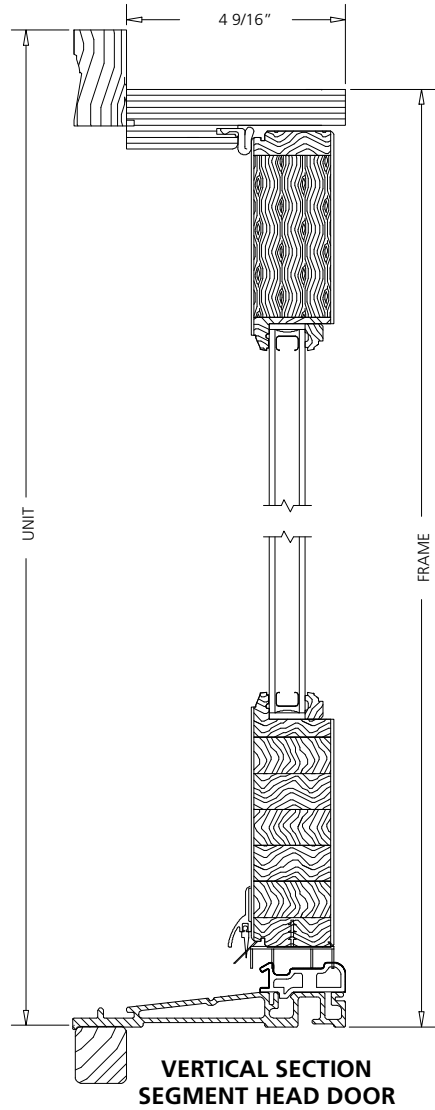
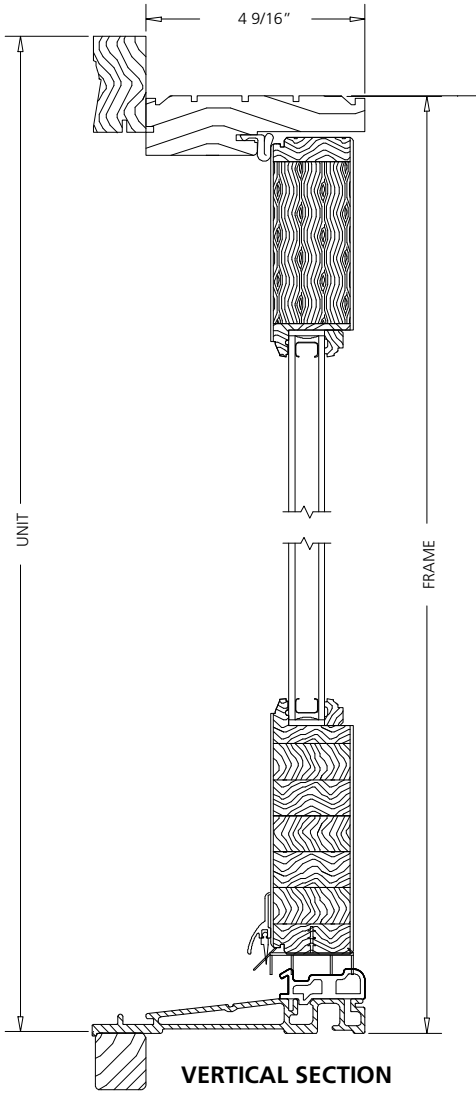
**SINGLE SWING OUT-SWING  
3-PANEL**



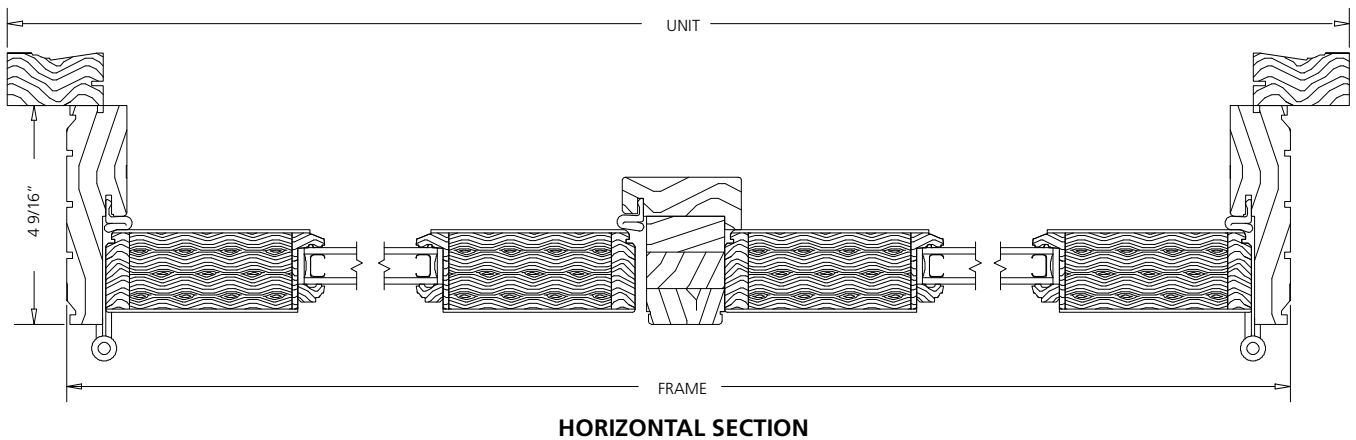
HORIZONTAL SECTION

SCALE: 3" = 1'

**FRENCH IN-SWING**

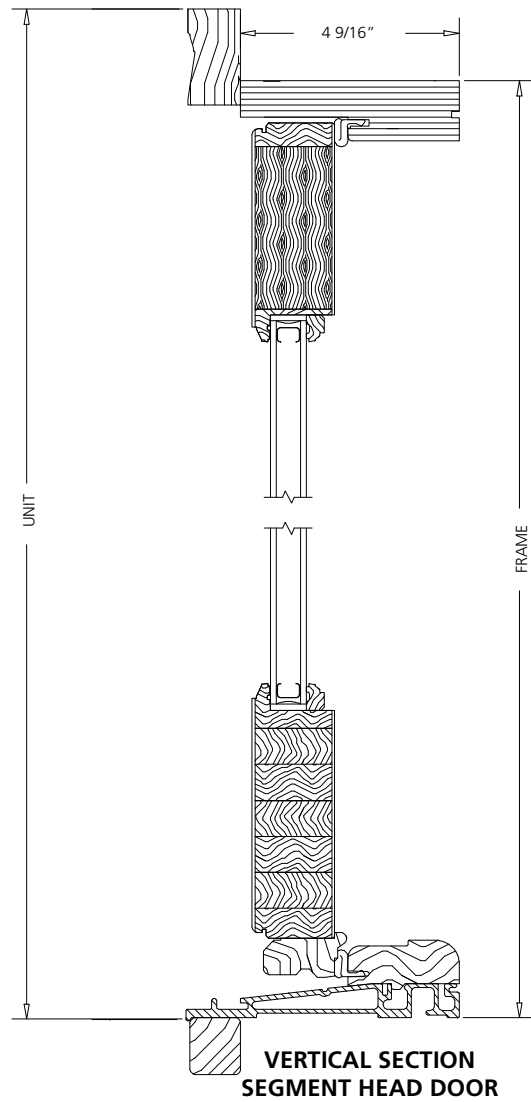
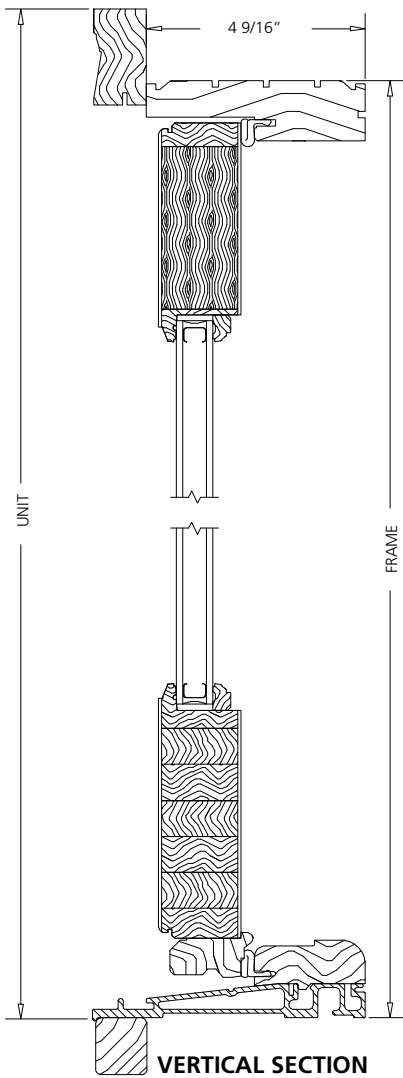


**Note:** Bottom rail shown is for 6'-8" doors. Bottom rail is 3" taller for doors over 6'-8".

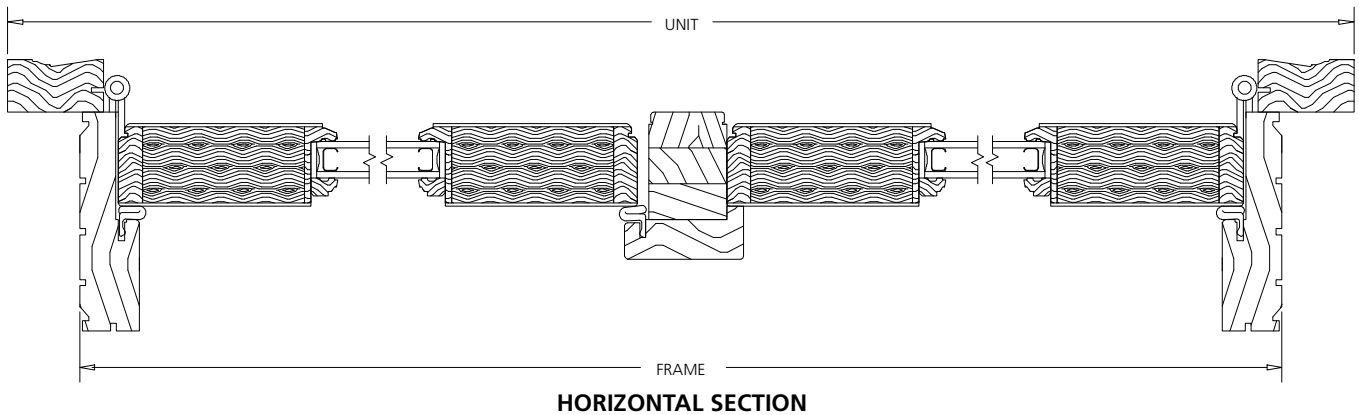


SCALE: 3" = 1'

**FRENCH OUT-SWING**

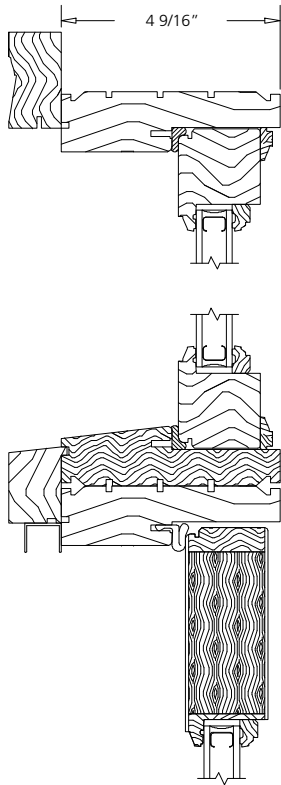


**Note:** Bottom rail shown is for 6'-8" doors. Bottom rail is 3" taller for doors over 6'-8".

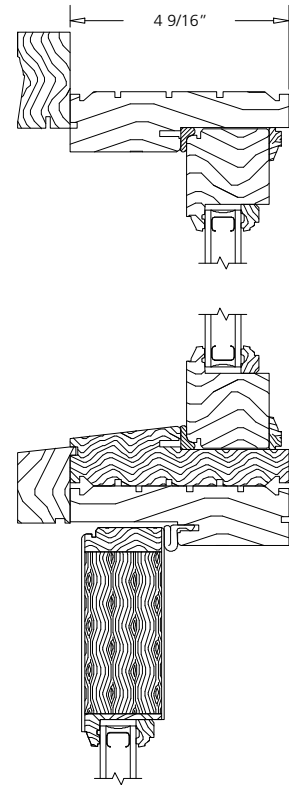


SCALE: 3" = 1'

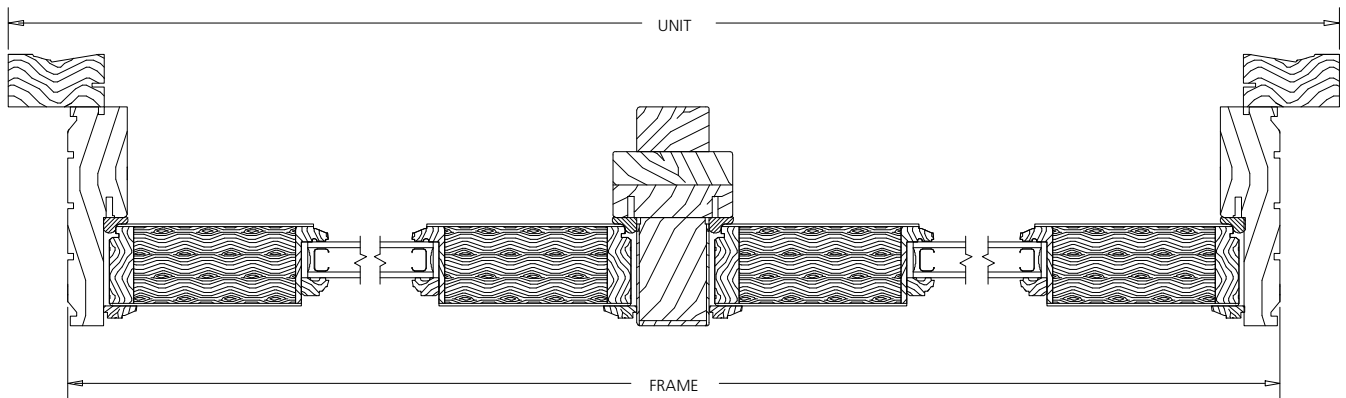
**IN-SWING AND OUT-SWING TRANSOM MULL**



**HORIZONTAL MULLION  
TRANSOM MULLED ABOVE  
A WOOD IN-SWING  
SINGLE OR FRENCH SWING DOOR**



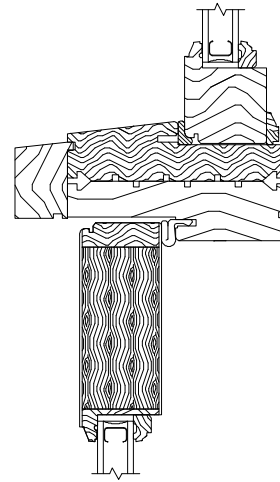
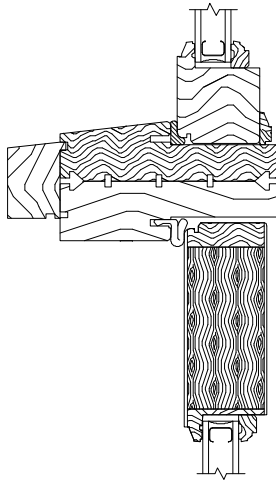
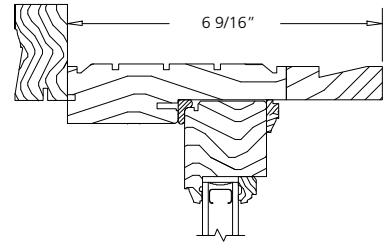
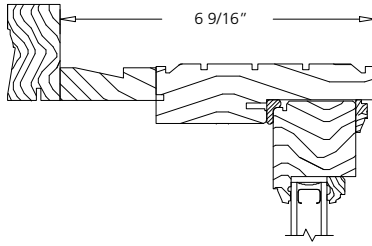
**HORIZONTAL MULLION  
TRANSOM MULLED ABOVE  
A WOOD OUT-SWING  
SINGLE OR FRENCH SWING DOOR**



**HORIZONTAL SECTION**

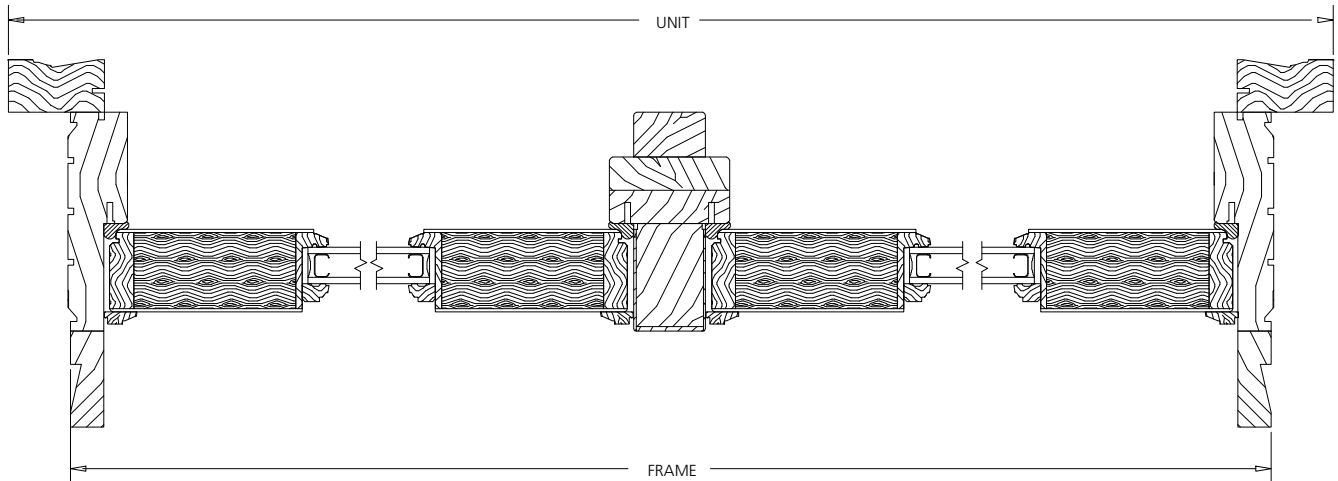
SCALE: 3" = 1'

**IN-SWING AND OUT-SWING TRANSOM MULL WITH 6-9/16" EXTENSION JAMB**



**HORIZONTAL MULLION  
TRANSOM MULLED ABOVE  
A WOOD IN-SWING  
SINGLE OR FRENCH SWING DOOR**

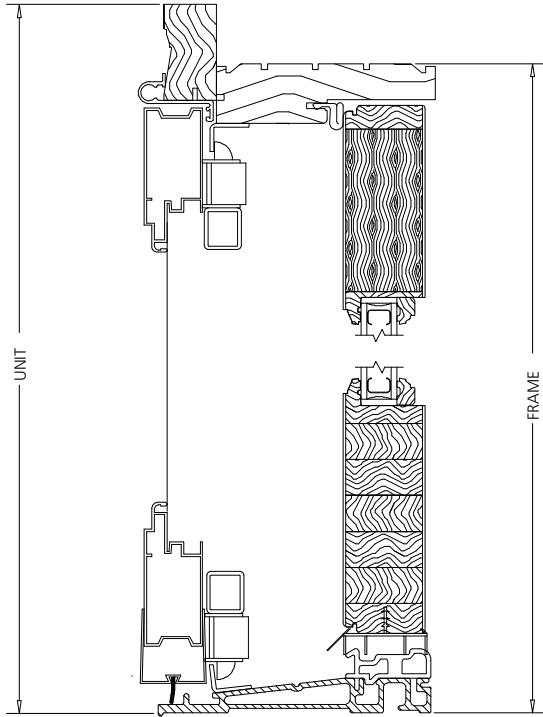
**HORIZONTAL MULLION  
TRANSOM MULLED ABOVE  
A WOOD OUT-SWING  
SINGLE OR FRENCH SWING DOOR**



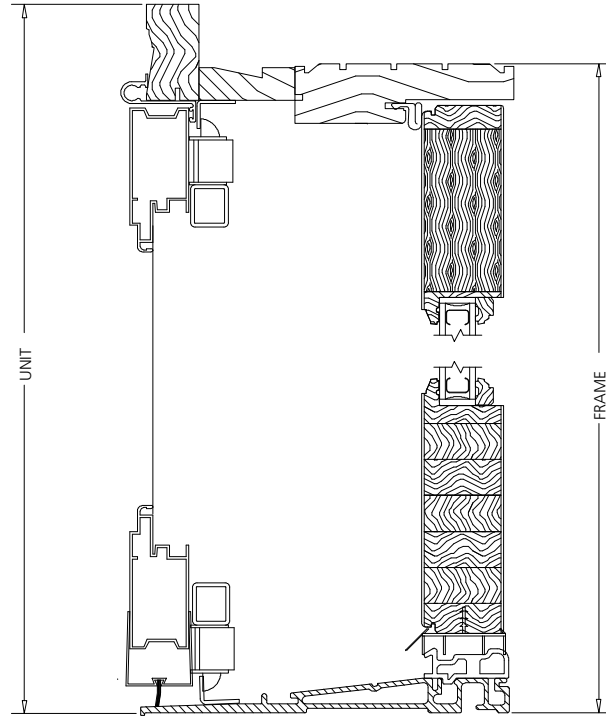
**HORIZONTAL SECTION**

SCALE: 3" = 1'

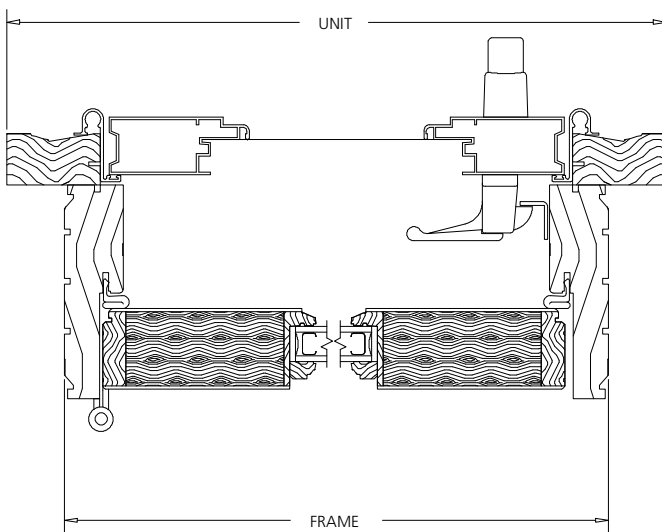
**SWING SCREEN**



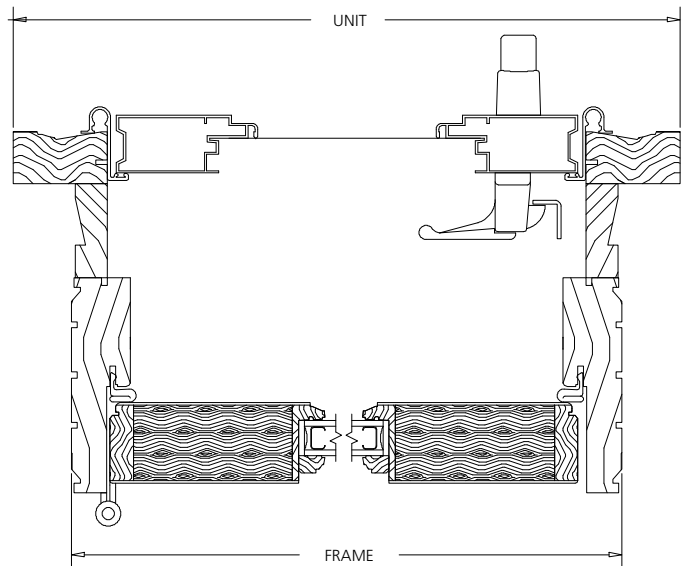
**VERTICAL SECTION  
4 9/16" JAMB**



**VERTICAL SECTION  
6 9/16" JAMB**



**HORIZONTAL SECTION  
4 9/16" JAMB**

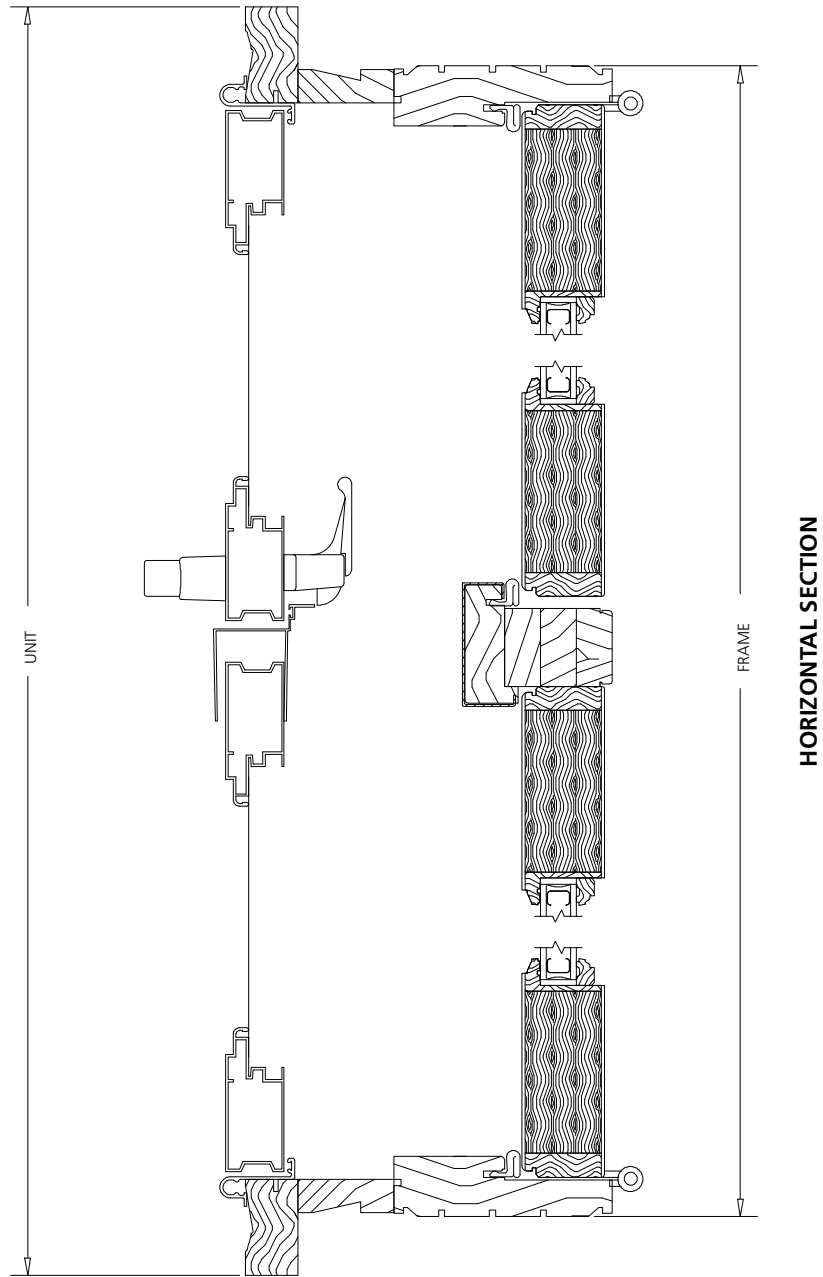


**HORIZONTAL SECTION  
6 9/16" JAMB**

SCALE: 3" = 1'



**FRENCH IN-SWING SCREEN  
WITH 6-9/16" JAMB**



SCALE: 3" = 1'